

**Fitting Instructions:**  
**Tiger (1050cc)**  
**Auxiliary Power Socket Kit - A9938037**



**Warning**

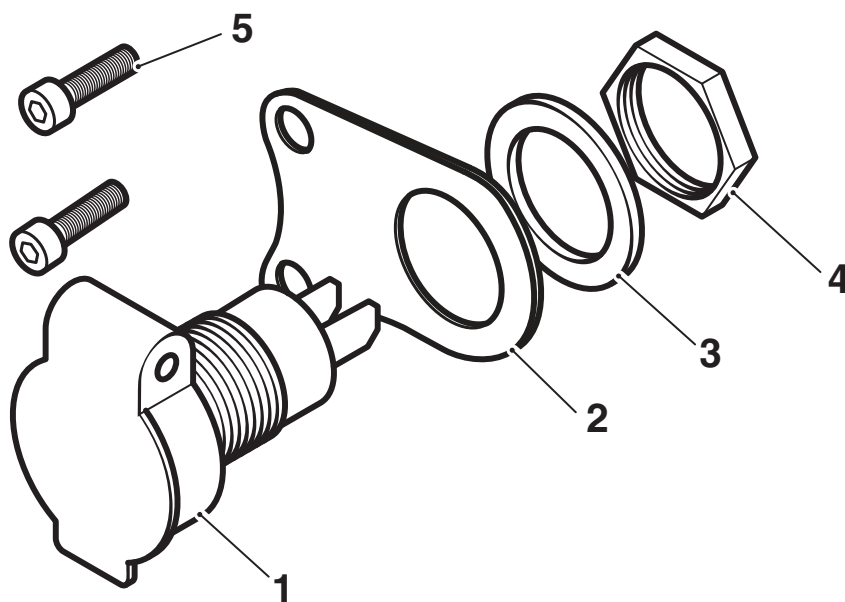
Throughout this operation, ensure that the motorcycle is stabilised and adequately supported on a paddock stand to prevent risk of injury from the motorcycle falling.

**Warning**

Always have Triumph approved parts, accessories and conversions fitted by a trained technician of an authorised Triumph dealer. The fitment of parts, accessories and conversions by a technician who is not of an authorised Triumph dealer may affect the handling, stability or other aspects of the motorcycles operation which may result in loss of motorcycle control and an accident.

**Warning**

This accessory kit is designed for use on Triumph Tiger (1050cc) motorcycles only and should not be fitted to any other Triumph model or to any other manufacturers motorcycle. Fitting this accessory kit to any other Triumph model, or to any other manufacturers motorcycle, may interfere with the rider and could affect the handling, stability or other aspects of the motorcycles operation which may result in loss of motorcycle control and an accident.



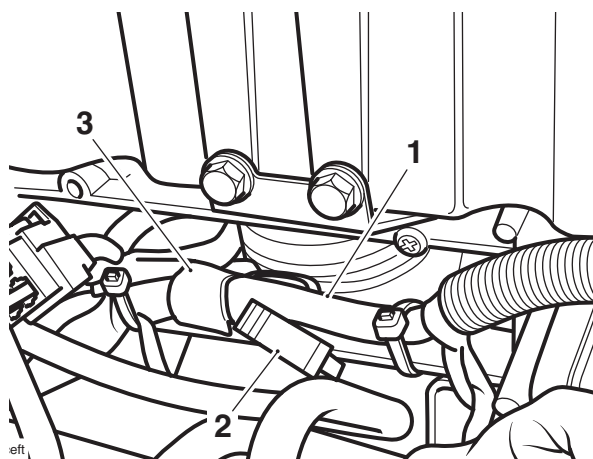
**Parts Supplied:**

- |  |              |   |              |
|--|--------------|---|--------------|
| <b>1. Auxiliary Power Socket</b> . . . . . | <b>1 off</b> | <b>4. Nut</b> . . . . .                   | <b>1 off</b> |
| <b>2. Bracket</b> . . . . .                | <b>1 off</b> | <b>5. Cap Screw, M6 x 16 mm</b> . . . . . | <b>2 off</b> |
| <b>3. Washer</b> . . . . .                 | <b>1 off</b> |   |              |

## **Warning**

Failure to tighten any of the fasteners to the correct torque specification may result in loss of motorcycle control and an accident.

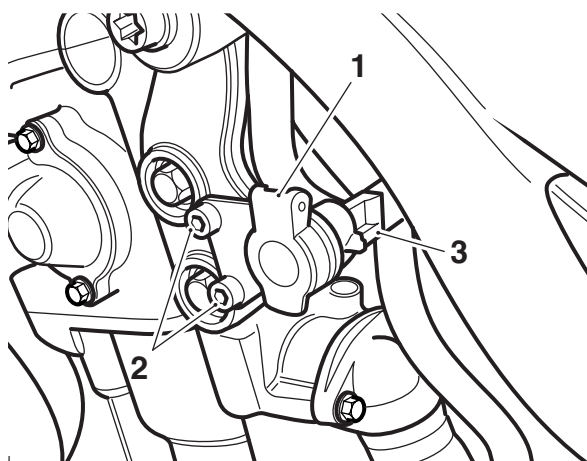
1. Remove the seat.
2. Disconnect the battery, negative (black) lead first.
3. Remove the fuel tank, as described in the service manual.
4. Assemble the auxiliary power socket, mounting bracket, washer and nut. Securely tighten the nut.
5. Remove the tape securing the auxiliary power socket wiring harness to the main wiring harness above the fuel rail.



1. Main harness
2. Auxiliary power socket wiring harness
3. Securing tape

6. Connect the auxiliary power socket to the connector.

7. Fit the auxiliary power socket assembly to the frame mounting bracket as shown, using the two M6 x 16 mm cap screws supplied with the kit. Tighten the cap screws to **9 Nm**.



1. Auxiliary power socket
2. M6 x 16 cap screws
3. Electrical connector

8. Ensure the electrical connector is positioned such that it will not chafe any adjacent pipes, hoses or the wiring harnesses.
9. Refit the fuel tank, as described in the service manual.
10. Reconnect the battery, positive (red) lead first.