

Accessory Fitting Instructions

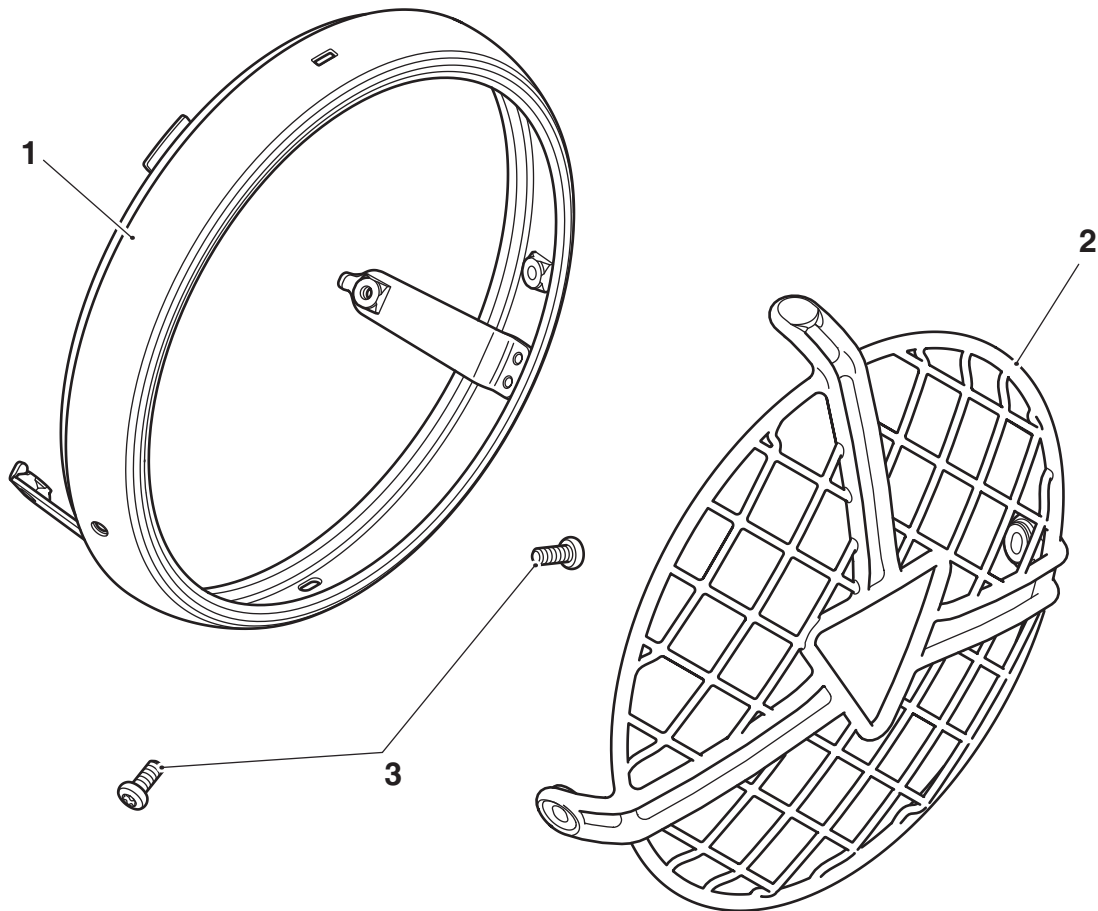
Headlight Grille and Bezel Kit	
Kit Number	Models Affected
A9838244	Street Scrambler, Scrambler 900, Street Twin from VIN 915136, Speed Twin 900

Thank you for choosing this Triumph genuine accessory kit. This accessory kit is the product of Triumph's use of proven engineering, exhaustive testing, and continuous striving for superior reliability, safety and performance.

Completely read all of these instructions before commencing the installation of the accessory kit in order to become thoroughly familiar with the kit's features and the installation process.

These instructions should be considered a permanent part of your accessory kit, and should remain with it even if your accessory equipped motorcycle is subsequently sold.

Parts Supplied



1. Headlight bezel	1 off	3. Fixing, M5 x 12 mm	2 off
2. Headlight grille	1 off		

Warning

The accessory kits covered in this instruction are designed for use on specific models of Triumph motorcycle. The accessory kits and the models applicable are listed at the start of the instruction. They should not be fitted to any other Triumph model or to any other manufacturer's motorcycle. Fitting an accessory kit to a Triumph model not listed, or to any other manufacturer's motorcycle will affect the performance, stability and handling of the motorcycle. This may result in loss of motorcycle control and an accident.

Warning

Always have Triumph approved parts, accessories and conversions fitted by a trained technician of an authorised Triumph dealer. The fitment of parts, accessories and conversions by a technician who is not of an authorised Triumph dealer may affect the handling, stability or other aspects of the motorcycle's operation which may result in loss of motorcycle control and an accident.

Warning

Throughout this operation, ensure that the motorcycle is stabilised and adequately supported to prevent risk of injury from the motorcycle falling.

Warning

A torque wrench of known accurate calibration must be used when fitting this accessory kit. Failure to tighten any of the fasteners to the correct torque specification may affect motorcycle performance, handling and stability. This may result in loss of motorcycle control and an accident.

Note:

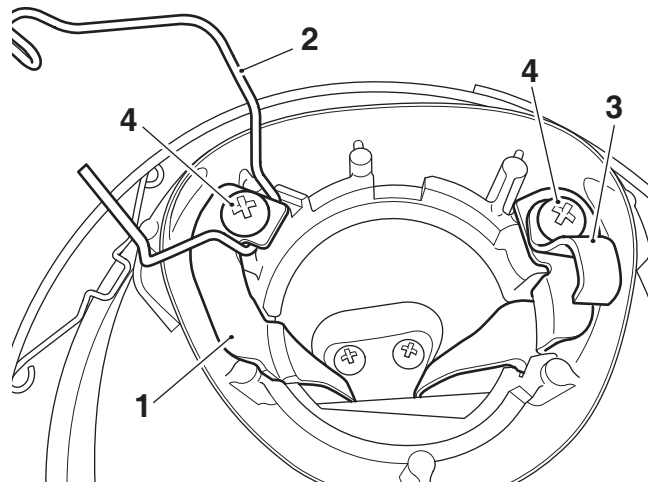
- **Triumph offers a broad range of approved genuine accessories for your motorcycle. We cannot therefore cover all possible equipment variations in these instructions. For removal and installation of Triumph Genuine Accessories, always refer to the instructions supplied with the respective accessory kit. To obtain additional copies of any Triumph accessory instructions, visit www.triumphinstructions.com or contact your authorised Triumph dealer.**

1. Remove the seat as described in the Service Manual.
2. Disconnect the battery, negative (black) lead first.
3. Remove the headlight bulb as described in the Owner's Handbook.

Notice

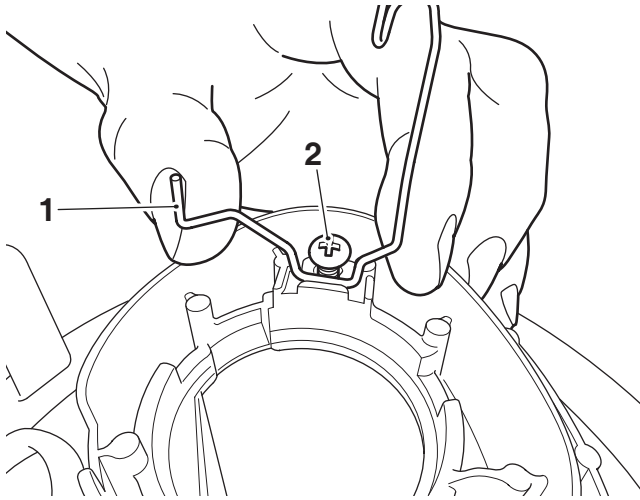
The bulb cap must be removed when fitting an accessory headlight grille. The motorcycle will not conform to Homologation regulations if the bulb cap is fitted with an accessory headlight grille and may render the motorcycle illegal for road use.

4. Remove the two fixings and retaining plate securing the headlight bulb retaining spring and bulb cap. Retain the fixings, spring and retaining plate for reuse. Retain the bulb cap for reuse if the motorcycle is to be returned to its original condition.



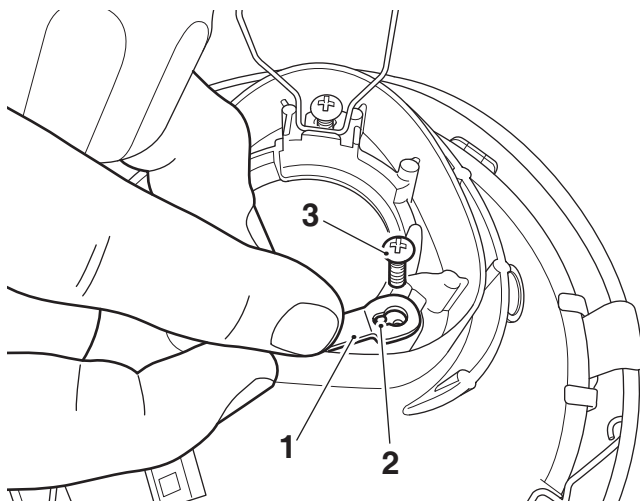
1. Bulb cap
2. Retaining spring
3. Retaining plate
4. Fixings

- Refit the headlight bulb retaining spring in the orientation shown. Secure with one of the original fixings. Tighten the fixing to **1.5 Nm**.



- Retaining spring
- Fixing

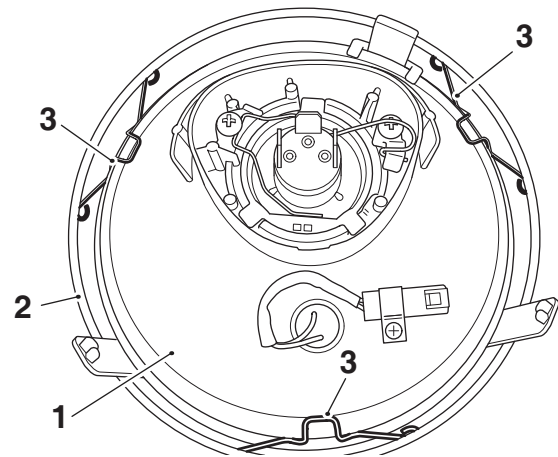
- Refit the spring retaining plate in the correct orientation as shown ensuring it locates on the alignment peg on the headlight. Fit the original fixing and tighten to **1.5 Nm**.



- Retaining plate
- Alignment peg, headlight
- Fixing

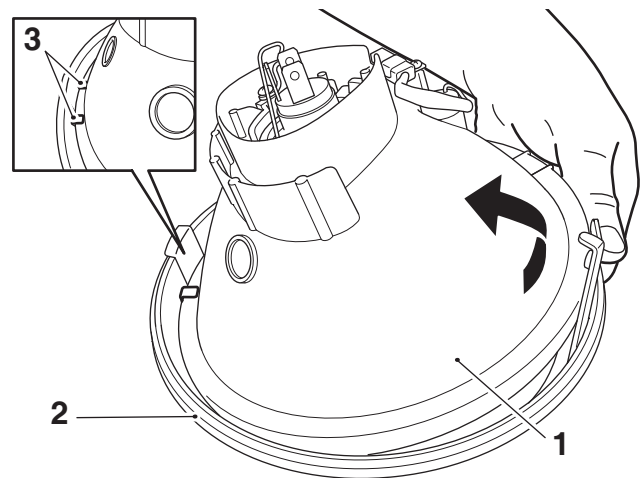
- Refit the headlight bulb only, as described in the Owner's Handbook.

- Remove the three spring clips holding the headlight to the headlight bezel noting their position and orientation to aid reassembly. Retain the spring clips for reuse.



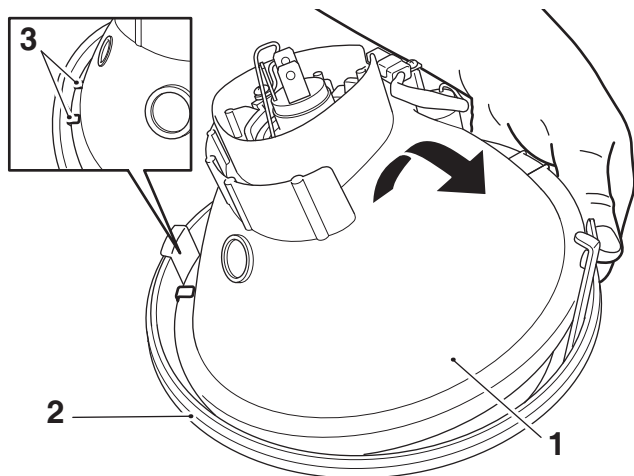
- Headlight
- Headlight bezel
- Spring clips

- Remove the headlight from the headlight bezel taking care to release the headlight from the retaining tangs on the headlight bezel. Retain the headlight for reuse. Retain the headlight bezel for reuse if the motorcycle is to be returned to its original condition.



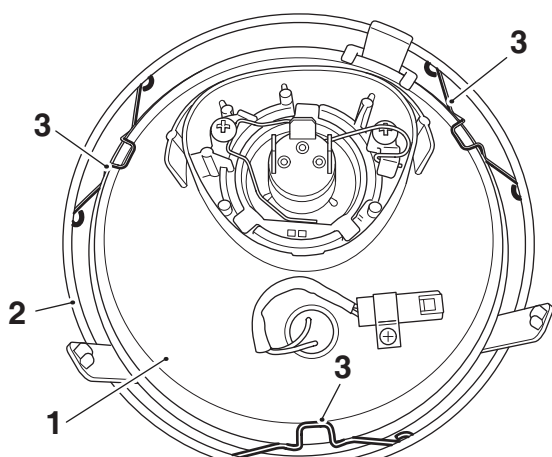
- Headlight
- Headlight bezel
- Retaining tangs

10. Locate the headlight into the retaining tangs on the headlight bezel from the kit as shown. Lower the headlight into position in the headlight bezel.



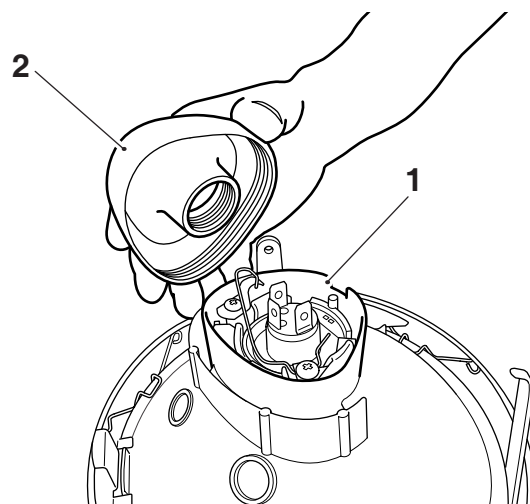
1. Headlight
2. Headlight bezel
3. Retaining tangs

11. Refit the three spring clips to secure the headlight to the headlight bezel, as shown.



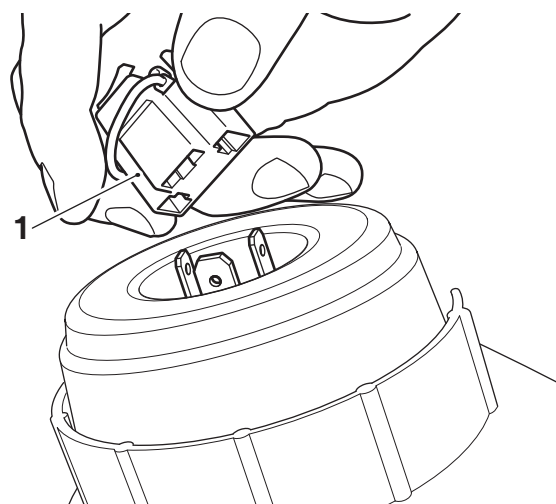
1. Headlight
2. Headlight bezel
3. Spring clips

12. Refit the rubber cover to the headlight.



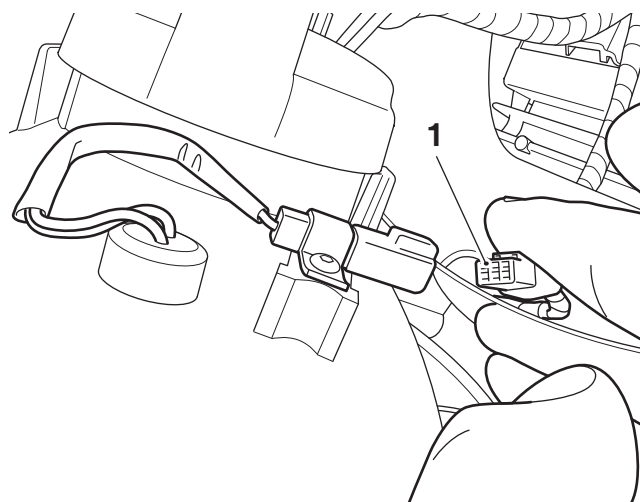
1. Headlight
2. Rubber cover

13. Reconnect the headlight electrical connector.



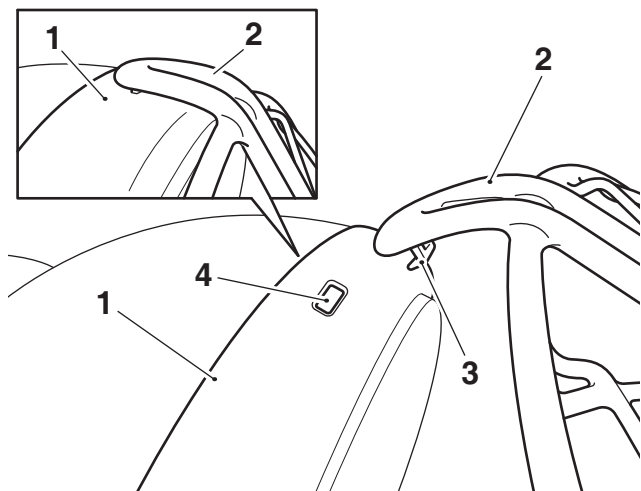
1. Headlight electrical connector

14. Reconnect the position light electrical connector.



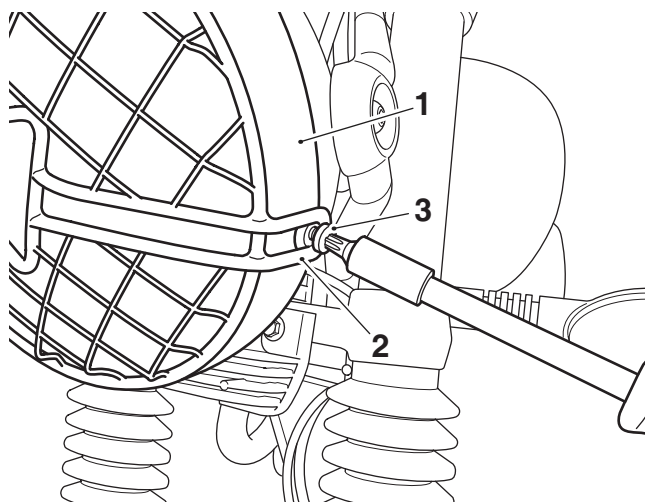
1. Position light electrical connector

15. Refit the headlight and bezel assembly with the original fixings, as described in the Service Manual.
16. Position the retaining tab on the top of the headlight grille into the slot in the top of the headlight bezel.



1. Headlight bezel
2. Headlight grille
3. Retaining tab
4. Slot, headlight bezel

17. Lower the headlight grille onto the headlight and align with the fixing holes in the headlight bezel. Fit the M5 x 12 mm fixings from the kit. Tighten the fixings to **3 Nm**.



1. Headlight bezel
2. Headlight grille
3. Fixing, M5 x 12 mm (left hand shown)

18. Reconnect the battery, positive (red) lead first and tighten the battery terminals to **4.5 Nm**.
19. Refit the seat as described in the Service Manual.

20. Check the position light and headlight function correctly and the alignment of the headlight has not been disturbed during the fitment of the headlight bezel and grille. If necessary adjust the alignment of the headlight as described in the Service Manual.

Warning

If, after fitting this accessory kit, you have any doubt about the performance of any aspect of the motorcycle, contact an authorised Triumph dealer and do not ride the motorcycle until the authorised dealer has declared it fit for use. Riding a motorcycle when there is any doubt as to any aspect of the performance of the motorcycle may result in loss of motorcycle control and an accident.

Warning

Never ride an accessory-equipped motorcycle at speeds above 80 mph (130 km/h).

The presence of accessories will cause changes in the stability and handling of the motorcycle. Failure to allow for changes in motorcycle stability may result in loss of motorcycle control and an accident.

Remember that the 80 mph (130 km/h) limit will be reduced by the fitting of non-approved accessories, incorrect loading, worn tyres, overall motorcycle condition and poor road or weather conditions.

Warning

The motorcycle must not be operated above the legal road speed limit except in closed-course conditions.

Warning

Only operate this Triumph motorcycle at high speed in closed-course, on-road competition or on closed-course racetracks. High-speed operation should only be attempted by riders who have been instructed in the techniques necessary for high speed riding and are familiar with the motorcycle's characteristics in all conditions.

High-speed operation in any other circumstances is dangerous and may result in loss of motorcycle control and an accident.