



Accessory Fitting Instructions

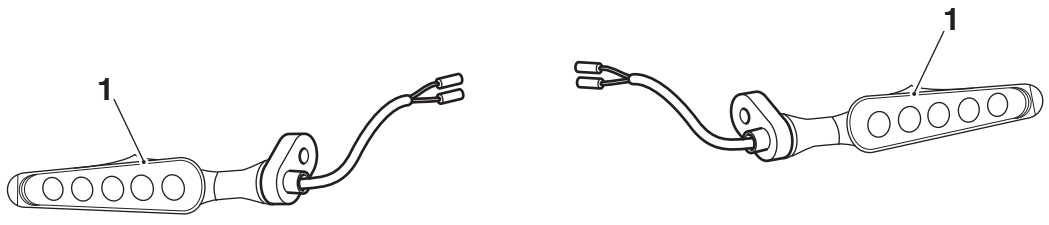
Thank you for choosing this Triumph genuine accessory kit. This accessory kit is the product of Triumph's use of proven engineering, exhaustive testing, and continuous striving for superior reliability, safety and performance.

Completely read all of these instructions before commencing the installation of the accessory kit in order to become thoroughly familiar with the kit's features and the installation process.

These instructions should be considered a permanent part of your accessory kit, and should remain with it even if your accessory equipped motorcycle is subsequently sold.

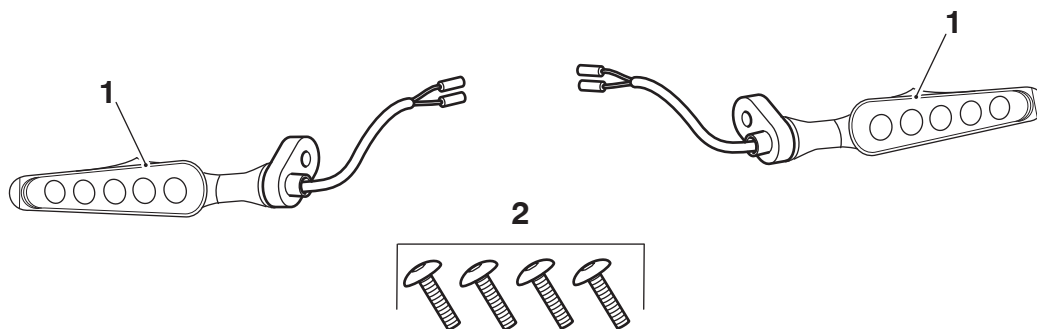
LED Direction Indicator Kit	
Kit Number	Models
A9830047	Speed Triple R, Speed Triple from VIN 461332, Tiger 800, Tiger 800 XC, Daytona 675, Daytona 675 R, Street Triple, Street Triple R up to VIN 793031, Street Triple Rx
A9838161	Speed Triple 1200 RR (front fitment only)
T2701048	Speed Triple R, Speed Triple from VIN 461332, Tiger 800, Tiger 800 XC, Daytona 675, Daytona 675 R, Street Triple, Street Triple R up to VIN 793031, Street Triple Rx, Explorer XR, Explorer XRx, Explorer XRT, Explorer XC, Explorer XCx, Explorer XCA
A2701151	Speed Triple R, Speed Triple from VIN 461332, Speed Triple S, Speed Triple RS, Speed Triple 1200 RS, Speed Triple 1200 RR (rear fitment only), Tiger 800, Tiger 800 XC, Daytona 675, Daytona 675 R, Daytona Moto2TM 765, Street Triple, Street Triple S, Street Triple S 660cc, Street Triple R, Street Triple R LRH, Street Triple RS, Street Triple RS Moto2™, Street Triple Rx, Explorer XR, Explorer XRx, Explorer XRT, Explorer XC, Explorer XCx, Explorer XCA, Tiger 800 XRX, Tiger 800 XRX LRH, Tiger 800 XCX, Tiger 800 XRT, Tiger 800 XCA, Tiger 850 Sport, Tiger 900, Tiger 900 GT to VIN BM5542, Tiger 900 GT Pro to VIN BM5558, Tiger 900 GT (LRH), Tiger 900 Rally, Tiger 900 Rally Pro to VIN BM8581, Tiger 1200 XR, Tiger 1200 XRX, Tiger 1200 XRX LRH, Tiger 1200 XCX, Tiger 1200 XRT, Tiger 1200 XCA
Relay Kit	
Kit Number	Models
A9830046	Speed Triple R, Speed Triple from VIN 461332, Tiger 800, Tiger 800 XC, Daytona 675, Daytona 675 R, Street Triple, Street Triple S, Street Triple S 660cc, Street Triple R up to VIN 793031, Street Triple Rx

Parts Supplied: A9830047, T2701048, A2701151



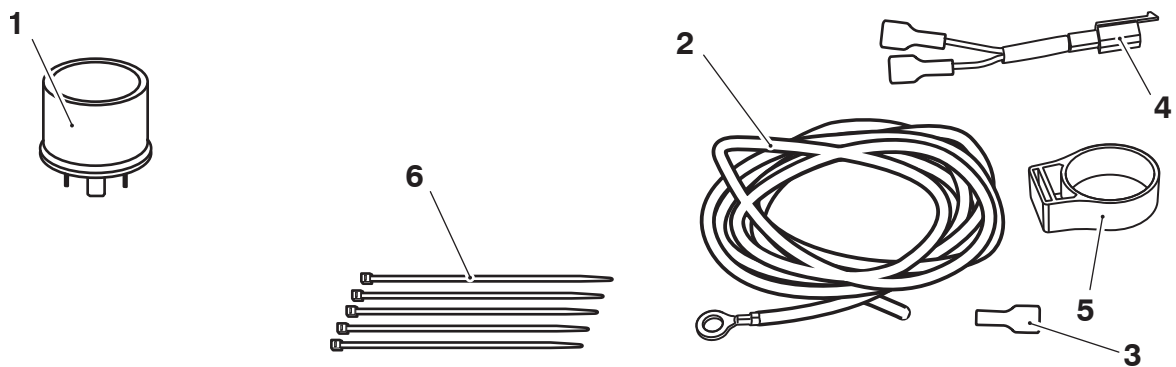
1. Direction indicator	1 off
------------------------	-------

Parts Supplied: A9838161



1. Direction indicator	1 off	8. M5 x 25 encapsulated fixings	4 off
------------------------	-------	---------------------------------	-------

Parts Supplied: A9830046



1. Relay	1 off	4. Sub-harness	1 off
2. Ground cable	1 off	5. Rubber grommet	1 off
3. Terminal, ground cable	1 off	6. Cable ties	5 off

⚠ WARNING

Fit only genuine Triumph accessories to those models approved by Triumph as listed in the associated Triumph fitting instructions.

The accessory kits covered in this instruction are designed for use on specific models of Triumph motorcycle. The accessory kits and the models applicable are listed at the start of the instruction. They should never be fitted to any other Triumph model or to any other manufacturer's motorcycle.

Fitting an accessory kit to a Triumph model not listed, or to any other manufacturer's motorcycle, will affect the performance, stability and handling of the motorcycle.

Failure to follow the advice above may lead to loss of motorcycle control which could result in serious injury or death.

⚠ WARNING

Always have Triumph approved parts, accessories and conversions fitted by a competent person with the specialist knowledge and technical understanding of motorcycles, such as an authorised Triumph dealer.

The fitment of parts, accessories and conversions by a person without the specialist knowledge and technical understanding of motorcycles may affect the handling, stability or other aspects of the motorcycle's operation.

Failure to follow the advice above may lead to loss of motorcycle control which could result in serious injury or death.

⚠ WARNING

A torque wrench of known accurate calibration must be used when fitting this accessory kit.

Failure to tighten any of the fasteners to the correct torque specification may affect motorcycle performance, handling and stability.

Failure to follow the advice above may lead to loss of motorcycle control which could result in serious injury or death.

⚠ WARNING

Make sure the motorcycle is stabilised and adequately supported.

Do not support the motorcycle on any ancillary component, the exhaust system or any other non structural parts of the motorcycle frame.

A correctly supported motorcycle will help prevent it from falling.

An unstable motorcycle may fall resulting in motorcycle damage, serious injury or death.

NOTICE

Triumph offers a broad range of approved genuine accessories for your motorcycle.

We cannot therefore cover all possible equipment variations in these instructions. For removal and installation of Triumph Genuine Accessories, always refer to the instructions supplied with the respective accessory kit.

To obtain additional copies of any Triumph accessory instructions, visit www.triumphinstructions.com or contact your authorised Triumph dealer.

NOTICE

Before fitting this accessory kit, make sure the owner of the motorcycle has been informed of the warnings contained in this instruction.

⚠ WARNING

LED indicators must be fitted to the front and rear of the motorcycle at the same time and they must be fitted as a set of the same type.

If LED indicators are fitted to the front or rear only, or different types of LED indicators are fitted to the front and rear, they will not be recognised by the motorcycle's electrical system and will not work.

Riding a motorcycle with any of its lights not working is illegal and dangerous.

NOTICE

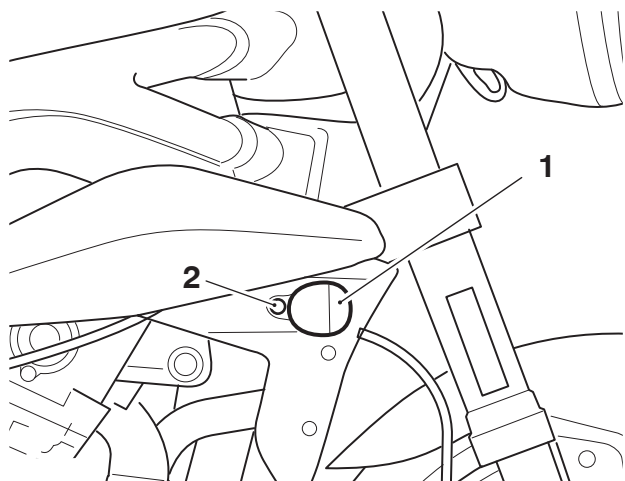
For the US and Canadian markets only, this accessory kit does not comply with F/CMVSS 108.

The fitting of this accessory kit is at the owner's risk. If you use a motorcycle fitted with this kit on public roads, you may be prosecuted.

NOTICE

1. Disconnect the battery as described in the Service Manual.
2. If necessary, remove any body panels to access the direction indicator connectors, as described in the Service Manual.

3. Release the fixing securing the direction indicator. Retain the fixing for re-use.



1. Direction indicator, front shown
2. Fixing

NOTICE

Note the routing of the direction indicator harness for installation.

4. Follow the route of the direction indicator harnesses, disconnect them from the main harness and remove the indicators. Retain the indicators if the motorcycle is to be returned to its original condition.
5. Fit the direction indicators from the kit and tighten the fixings to the torque figure stated in the Service Manual.
6. Route the direction indicators harness as noted for removal and connect to the main harness. Make sure that the black cable is connected to the black cable on the main harness.
7. Refit any body panels that may have been removed as described in the Service Manual.

Speed Triple 1200 RR only

NOTICE

Front Direction Indicators

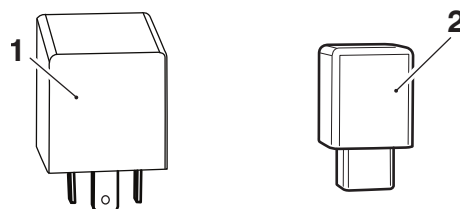
New encapsulated fixings are provided in the kit for use when refitting the radiator cowls as described in the Service Manual.

Direction Indicator Relay (Not applicable to Daytona Moto2™ 765, Street Triple R from VIN 793032, Street Triple R LRH, Street Triple RS, Street Triple RS Moto2™, Speed Triple 1200 RS, Speed Triple 1200 RR, Explorer, Tiger 800 XRX, Tiger 800 XRX LRH, Tiger 800 XCX, Tiger 800 XRT, Tiger 800 XCA, Tiger 850 Sport, Tiger 900 models, Tiger 1200 models)

8. Disconnect the battery as described in the Service Manual.
9. Locate the direction indicator relay as described in the Service Manual.

NOTICE

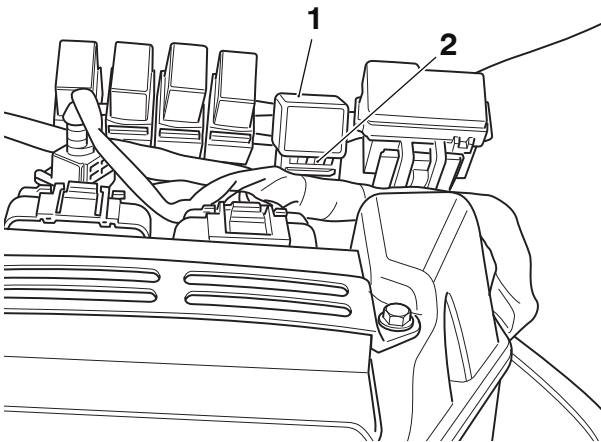
Models will be fitted with either an indicator relay that fits into a relay connector block, or will have a relay with an electrical connector as shown below.



1. Relay for connector block
2. Relay with an electrical connector

Indicator Relay Fitted to a Connector Block

10. Remove the relay and retain it if the motorcycle is to be returned to its original condition.



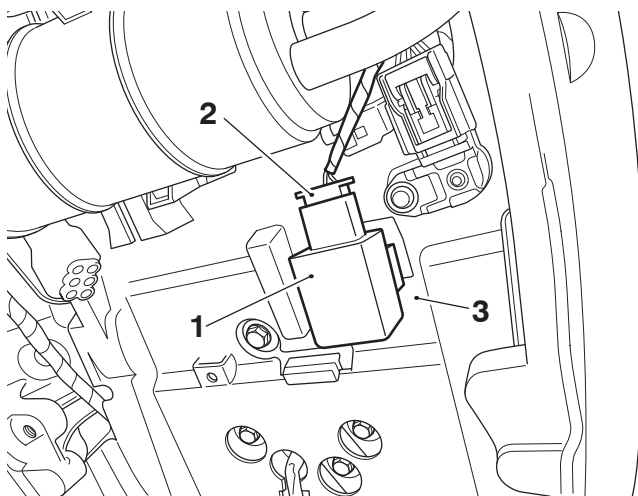
1. Direction indicator relay
2. Relay connector block

11. Fit the relay from the kit. The relay will fit only one way. Do not force fit the relay.

Indicator Relay with an Electrical Connector

Street Triple S, Street Triple S 660cc Models Only

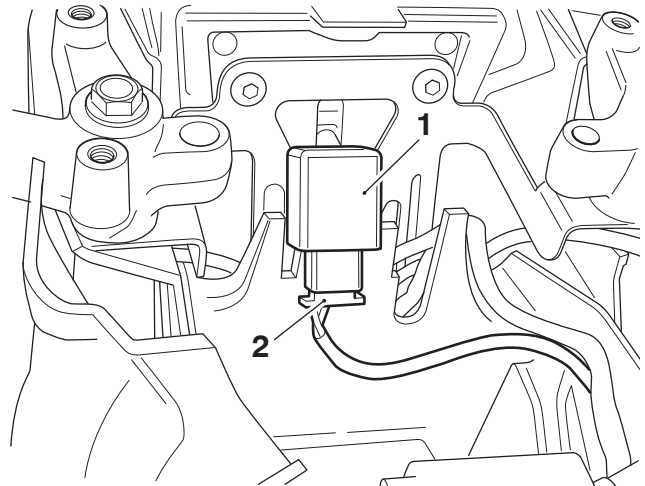
12. Remove the seat bridge fixings as described in the Service Manual and move the seat bridge aside to allow access to the indicator relay. Retain the seat bridge fixings for reuse.
13. Note the position of the indicator relay on the undertray and detach it from its mounting. Disconnect the electrical connector and remove the relay. Retain the relay if the motorcycle is to be returned to its original condition. Continue from step 8.



1. Indicator relay
2. Electrical connector
3. Undertray

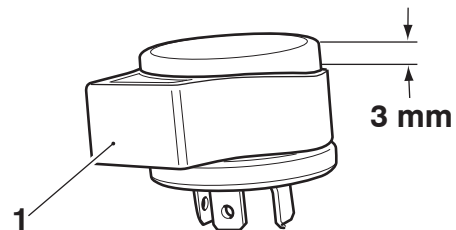
Speed Triple R, Speed Triple from VIN 461332, Speed Triple S, Speed Triple RS, Tiger 800, Tiger 800 XC, Daytona 675, Daytona 675 R, Street Triple, Street Triple R up to VIN 793031, Street Triple Rx

14. Note the position of the indicator relay and detach it from its mounting. Disconnect the electrical connector and remove the relay. Retain the relay if the motorcycle is to be returned to its original condition.



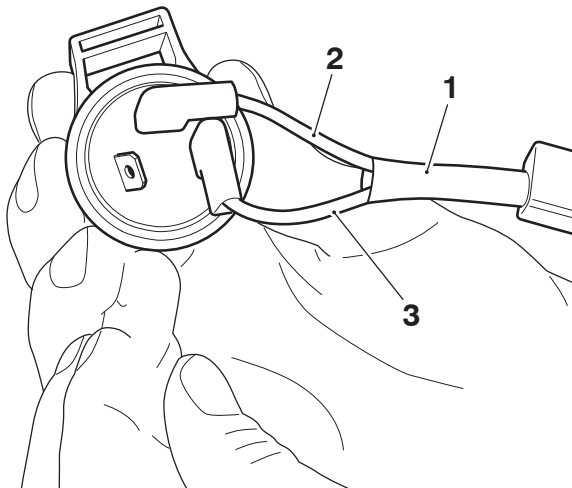
1. Indicator relay, Tiger 800 shown
2. Electrical connector

15. Collect the relay and the rubber grommet from kit A9830046. Fit the grommet to the relay with its upper edge a minimum of 3 mm below the top of the relay as shown below.



1. Rubber grommet

16. Collect the sub-harness from the kit and connect it to the indicator relay, as shown below.

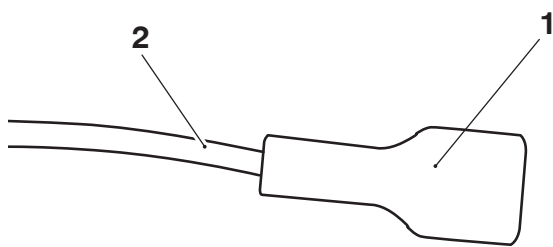


- 1. Sub-harness
- 2. Brown lead (relay terminal labelled SIGNAL)
- 3. Green lead (relay terminal labelled + 12V)

17. Collect the ground cable from the kit. Align the M6 ring terminal end of the cable with the battery's negative terminal. Following the main harness, route the ground cable back to the relay mounting position using the cable ties to secure the ground cable where appropriate.

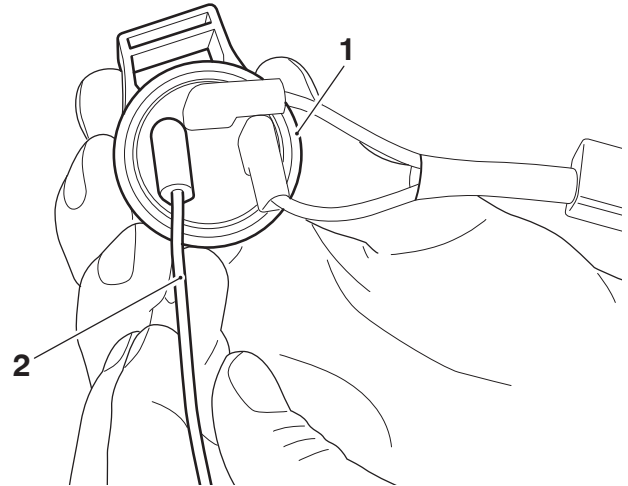
18. Make sure that there is enough cable to crimp the supplied terminal and refit the relay to its mount. Trim off any excess cable at the relay end.

19. Strip back 5 mm of the insulation from the ground cable. Fit the terminal from the kit to the ground cable and crimp to secure.



- 1. Terminal
- 2. Ground cable

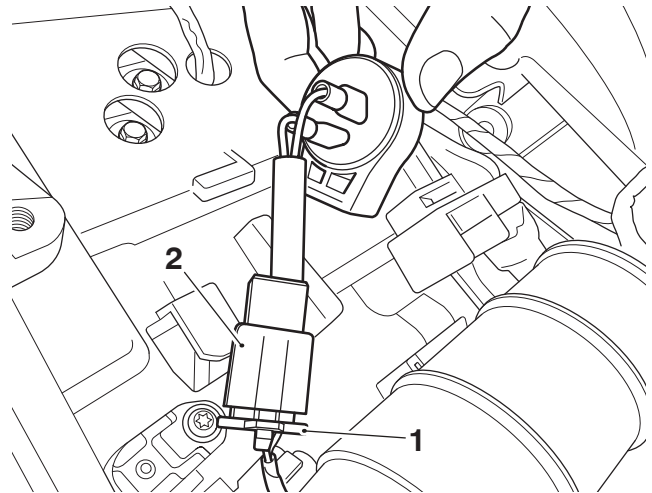
20. Connect the ground cable to the indicator relay, as shown below.



- 1. Indicator relay
- 2. Ground cable (relay terminal labelled GND)

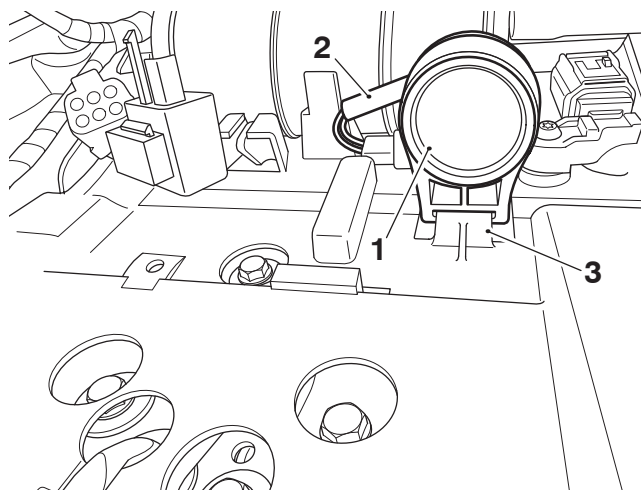
Street Triple S, Street Triple S 660cc Models Only

21. Connect the main harness to the sub-harness.



- 1. Main harness
- 2. Sub-harness

22. Fit the indicator relay to the mounting, in the orientation shown below.

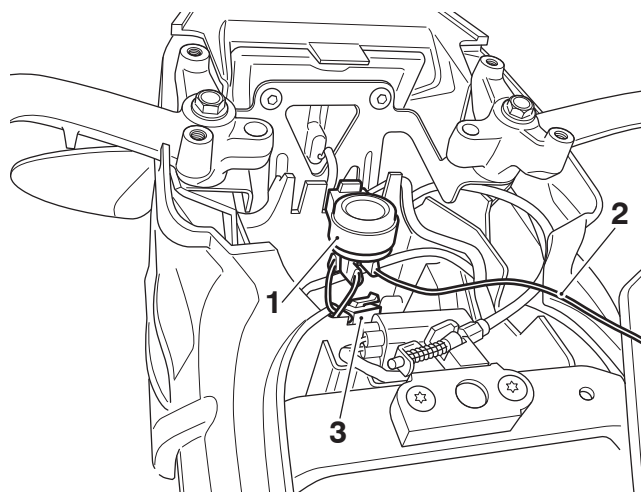


- 1. Indicator relay
- 2. Sub-harness
- 3. Undertray moulding

23. Refit the seat bridge as described in the Service Manual.

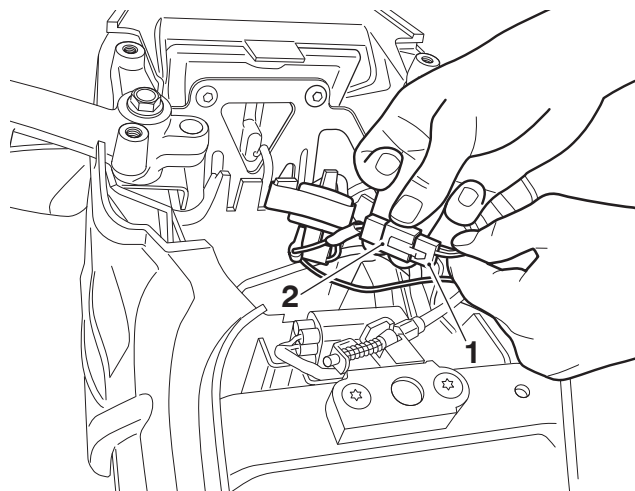
Speed Triple R, Speed Triple from VIN 461332, Speed Triple S, Speed Triple RS, Tiger 800, Tiger 800 XC, Daytona 675, Daytona 675 R, Street Triple, Street Triple R up to VIN 793031, Street Triple Rx

24. Fit the indicator relay to the mounting, as noted on removal.



- 1. Indicator relay
- 2. Ground cable
- 3. Sub-harness connector

25. Connect the main harness to the sub-harness.



- 1. Main harness
- 2. Sub-harness

All Models

26. Reconnect the battery, as described in the Service Manual. For models with the new ground cable fitted, Make sure it is connected to the negative battery terminal.

27. Check the operation of the direction indicators. Rectify as necessary.

28. Refit any body panels that may have been removed as described in the Service Manual.

⚠ WARNING

After fitting the accessory kit the motorcycle will exhibit new handling characteristics.

Operate the motorcycle in a safe area free from traffic to gain familiarity with any new characteristics.

Operation of the motorcycle when not familiar with any new handling characteristics may lead to loss of motorcycle control which could result in serious injury or death.

⚠ WARNING

If, after fitting this accessory kit, you have any doubt about the performance of any aspect of the motorcycle, contact a competent person with the specialist knowledge and technical understanding of motorcycles, such as an authorised Triumph dealer.

Riding a motorcycle when there is any doubt as to any aspect of the performance of the motorcycle may lead to loss of motorcycle control which could result in serious injury or death.

⚠ WARNING

Never ride an accessory-equipped motorcycle at speeds above 80 mph (130 km/h).

Remember that the 80 mph (130 km/h) limit will be reduced by the fitting of non-approved accessories, incorrect loading, worn tyres, overall motorcycle condition and poor road or weather conditions.

The presence of accessories will cause changes in the stability and handling of the motorcycle. Failure to allow for changes in motorcycle stability may lead to loss of motorcycle control which could result in serious injury or death.

⚠ WARNING

High-speed operation should only be attempted by riders who have been instructed in the techniques necessary for high-speed riding and are familiar with the motorcycle's characteristics in all conditions.

Only operate this Triumph motorcycle at high speed in closed-course, on-road competition or on closed-course racetracks.

High-speed operation in any other circumstances is dangerous and may lead to loss of motorcycle control which could result in serious injury or death.

NOTICE

The motorcycle must not be operated above the legal road speed limit except in closed-course conditions.