



Accessory Fitting Instructions

Thank you for choosing this Triumph genuine accessory kit. This accessory kit is the product of Triumph's use of proven engineering, exhaustive testing, and continuous striving for superior reliability, safety and performance.

Completely read all of these instructions before commencing the installation of the accessory kit in order to become thoroughly familiar with the kit's features and the installation process.

These instructions should be considered a permanent part of your accessory kit, and should remain with it even if your accessory equipped motorcycle is subsequently sold.

LED Direction Indicator Kits

D40, LED Direction Indicator Kit

Kit Number	Models
A9838023	Street Twin - Front, Speed Twin 900 - Front, Street Scrambler - Front, Scrambler 900 - Front, Speed Twin from VIN AE2311 with Euro 5 engine ECM - Front, Thruxton 1200 - Front - When fitted with half fairing A9708301, Thruxton 1200 R - Front - When fitted with half fairing A9708412, Thruxton RS - Front - When fitted with half fairing A9708412, Scrambler 1200 XC - Front, Scrambler 1200 XE - Front, Scrambler 1200 X - Front, Rocket 3 R - Front, Rocket 3 GT - Front, Rocket 3 TFC - Front
A9838035	Bonneville T100 from VIN 759204 - Front - When fitted with windshield A9708304, Bonneville T120 - Front - When fitted with windshield A9708304, Bonneville T120 Black - Front - When fitted with windshield A9708304
A9838041	Street Cup - Front, Bonneville T100 from VIN 759204 - Front, Speed Twin up to VIN AE3665 with Euro 4 engine ECM - Front, Bonneville T120 - Front, Bonneville T120 Black - Front, Thruxton 1200 - Front, Thruxton 1200 R - Front, Thruxton RS - Front,
A9838039	Street Twin - Rear, Speed Twin 900 - Rear, Street Scrambler - Rear, Scrambler 900 - Rear, Street Cup - Rear, Bonneville T100 from VIN 759204 - Rear, Bonneville T120 - Rear, Bonneville T120 Black - Rear, Thruxton 1200 - Rear, Thruxton 1200 R - Rear, Thruxton RS RS - Rear, Speed Twin - Rear, Rocket 3 R - Rear, Rocket 3 GT - Rear, Rocket 3 TFC - Rear
A9838037	Bonneville Bobber - Front, Bonneville bobber Black - Front, Bonneville Speedmaster from VIN 739143 - Front
A9838073, A9838083	Bonneville Bobber - Rear, Bonneville bobber Black - Rear, Bonneville Speedmaster from VIN 739143 - Rear, Scrambler 1200 XC - Rear, Scrambler 1200 XE - Rear, Scrambler 1200 X - Rear
A9838040	Bonneville Speedmaster from VIN 739143 - Rear

D64, LED Direction Indicator Kit

Kit Number	Models
A9838028	Street Twin - Front, Speed Twin 900 - Front, Street Scrambler - Front, Scrambler 900 - Front, Thruxton RS - Front
A9838036	Street Twin - Rear, Speed Twin 900 - Rear, Street Cup - Rear, Street Scrambler - Rear, Scrambler 900 - Rear, Speed Twin up to VIN AE3665 with Euro 4 engine ECM - Rear
A9838038	Bonneville T100 from VIN 759204 - Rear, Bonneville T120 - Rear, Bonneville T120 Black - Rear, Thruxton 1200 - Rear, Thruxton 1200 R - Rear, Thruxton RS - Rear
A9838048	Street Cup - Front, Bonneville T100 from VIN 759204 - Front, Bonneville T120 - Front, Bonneville T120 Black - Front, Thruxton 1200 - Front, Thruxton 1200 R - Front, Thruxton RS - Front, Scrambler 1200 XC - Front, Scrambler 1200 XE - Front, Scrambler 1200 X - Front, Speed Twin up to VIN AE3665 with Euro 4 engine ECM - Front,
A9838049	Bonneville Bobber - Front, Bonneville bobber Black - Front, Bonneville Speedmaster from VIN 739143 - Front

LED Direction Indicator Kits

A9838050, A9838084	Bonneville Bobber - Rear, Bonneville bobber Black - Rear, Bonneville Speedmaster from VIN 739143 - Rear
A9838074, A9838093	Scrambler 1200 XC - Rear, Scrambler 1200 XE - Rear, Scrambler 1200 X - Rear
LED Direction Indicator Kit, Sports	
Kit Number	Models
A9838031, A9838100	Street Twin - Front, Speed Twin 900 - Front, Street Scrambler - Front, Scrambler 900 - Front
A9838043, A9838099	Street Twin - Rear, Speed Twin 900 - Rear, Street Scrambler - Rear, Scrambler 900 - Rear

NOTICE

For the US and Canadian markets only, the accessory kits A9838023, A9838031, A9838035, A9838037, A9838039, A9838040, A9838041, A9838043, A9838073, A9838083, A9838099, A9838100 do not comply with F/CMVSS 108.

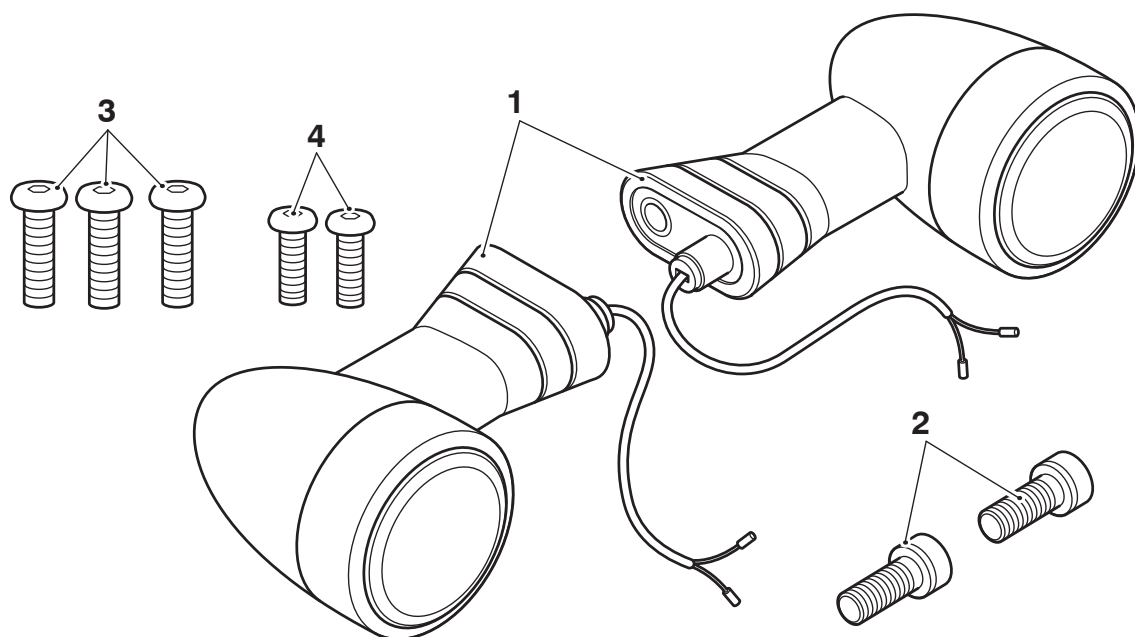
The fitting of these accessory kits is at the owner's risk. If you use a motorcycle fitted with any of these kits on public roads, you may be prosecuted.

NOTICE

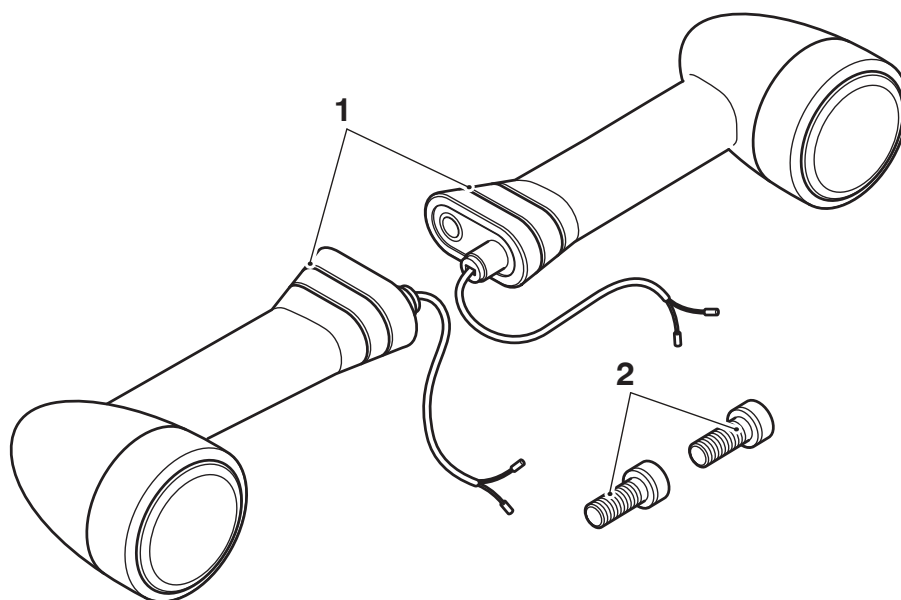
The LED Direction Indicator Kit A9838048 must not be fitted with accessory Front Fairing Kits A9708301 and A9708412.

Parts supplied

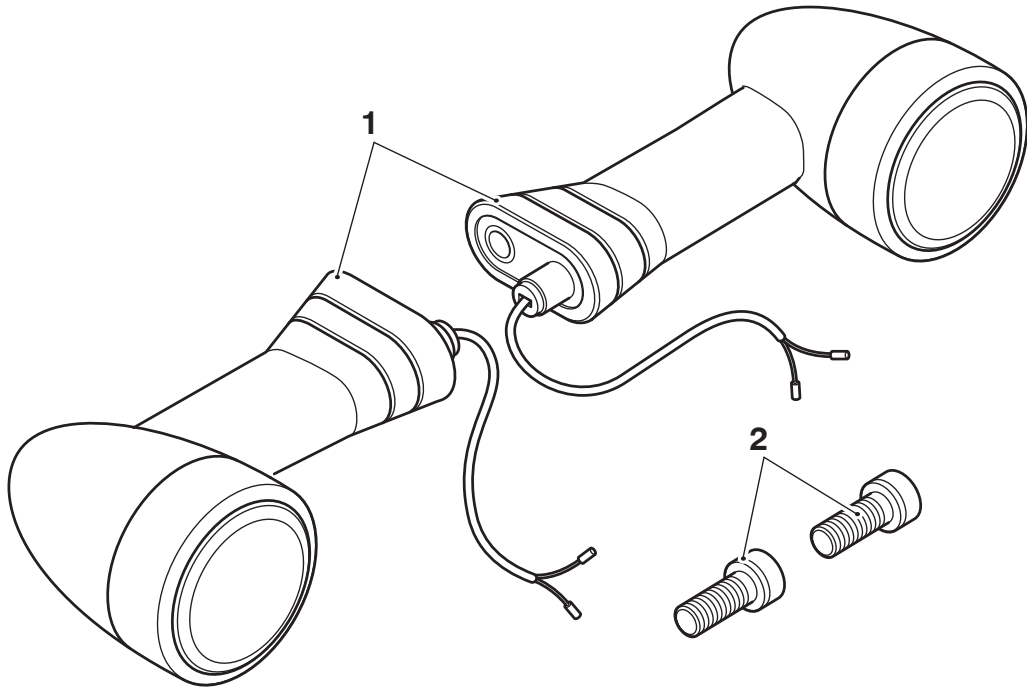
A9838023, A9838037, A9838039, A9838040, A9838073, A9838083



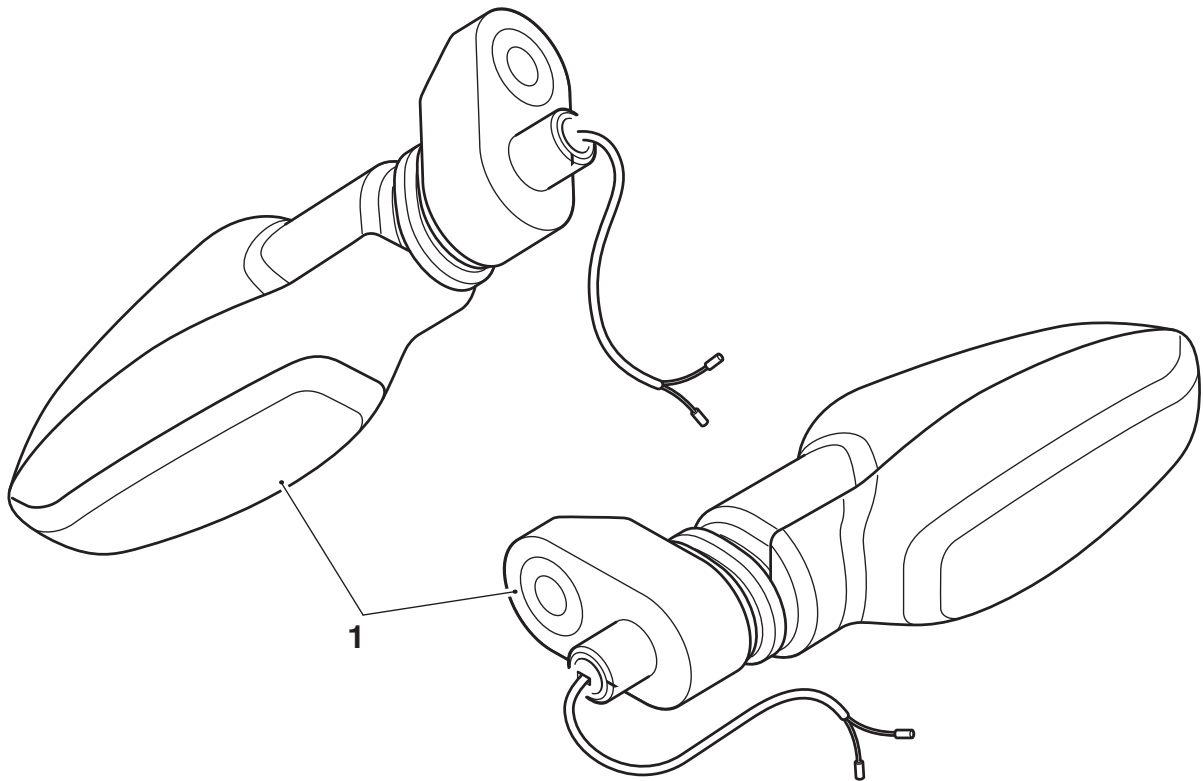
1. LED indicator	2 off	3. Screw, M6 x 16 mm (A9838040, A9838073, A9838083 only)	3 off
2. Screw, M6 x 12 mm (A9838023, A9838039, A9838040, A9838073, A9838083 only)	2 off	4. Screw, M5 x 14 mm (A9838040, A9838073, A9838083 only)	2 off



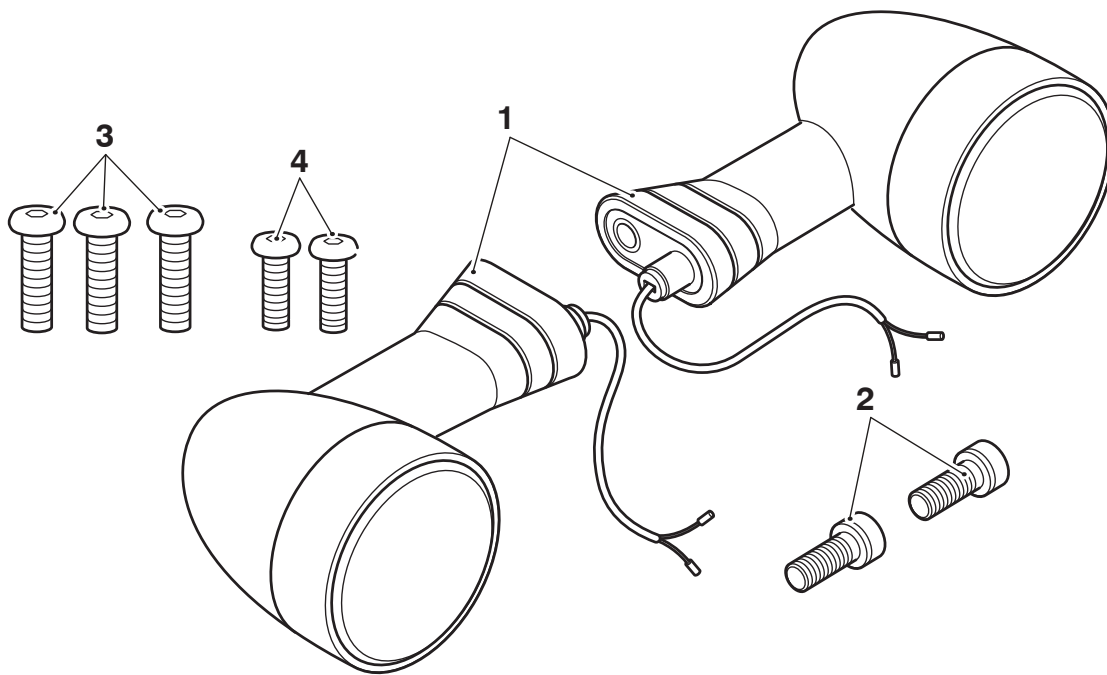
1. LED indicator	2 off	2. Screw, M6 x 12 mm	2 off
------------------	-------	----------------------	-------



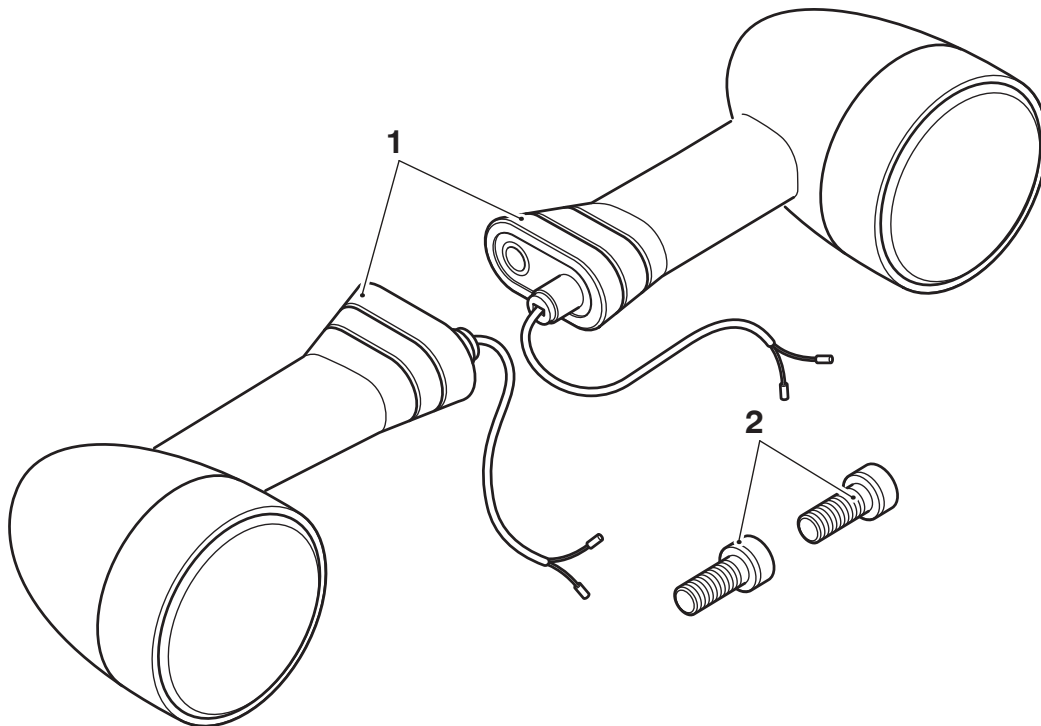
1. LED indicator	2 off	2. Screw, M6 x 12 mm	2 off
------------------	-------	----------------------	-------



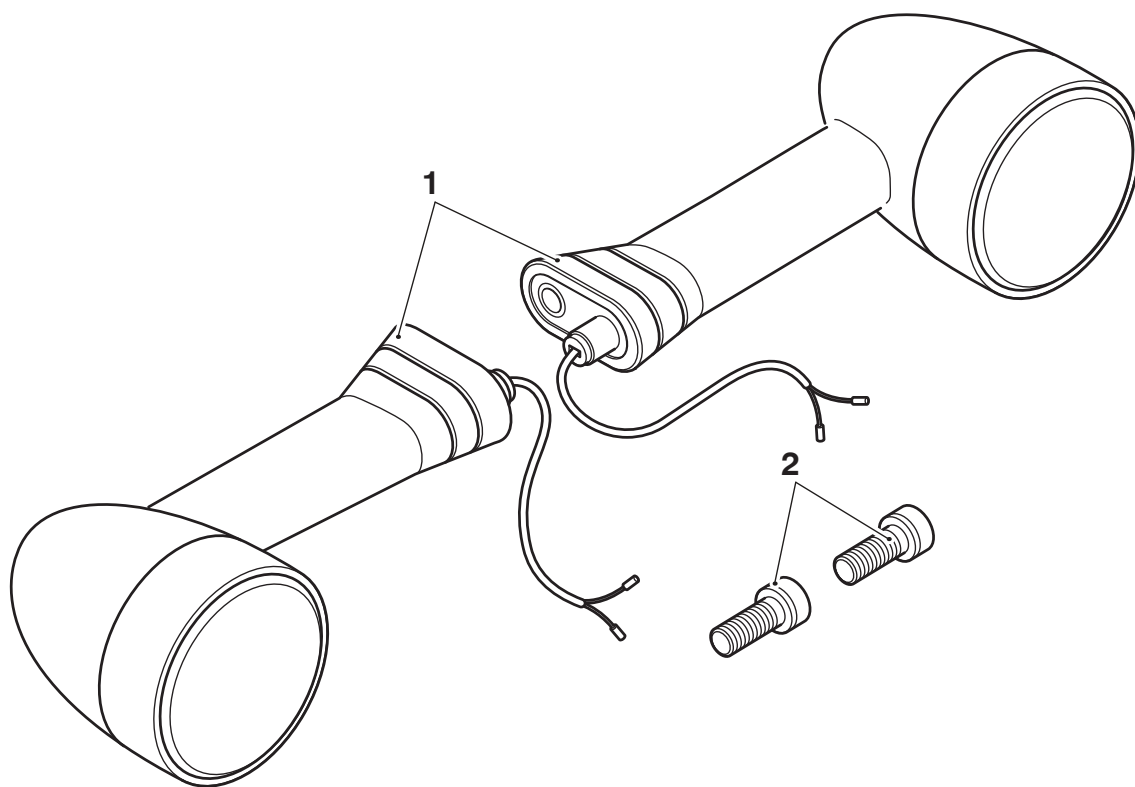
1. LED indicator	2 off
------------------	-------



1. LED indicator	2 off	3. Screw, M6 x 16 mm (A9838050, A9838084 only)	3 off
2. Screw, M6 x 12 mm	2 off	4. Screw, M5 x 14 mm (A9838050, A9838084 only)	2 off

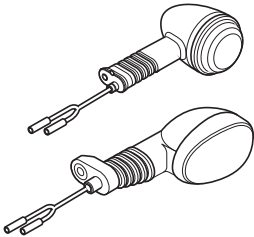
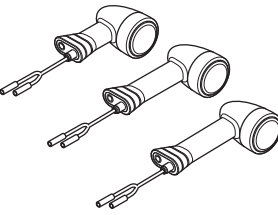
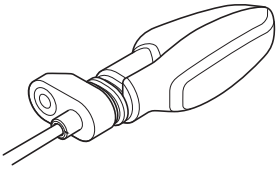
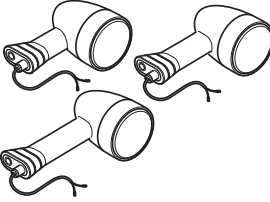
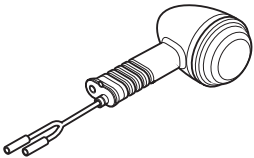


1. LED indicator	2 off	2. Screw, M6 x 12 mm	2 off
------------------	-------	----------------------	-------



1. LED indicator	2 off	2. Screw, M6 x 12 mm	2 off
------------------	-------	----------------------	-------

LED Alternative Indicator Table

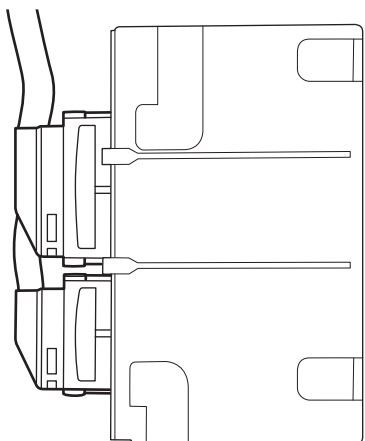
Image	Accessory Kit Number	Notes	Type
	Original Equipment	Bulb Indicator	1
	A9838023, A9838035, A9838037, A9838039, A9838040, A9838041, A9838073, A9838083	Bullet LED Indicator with aluminium bezel, 40 mm diameter (Not suitable for use in the United States or Canada)	2
	A9838031, A9838043, A9838099, A9838100	Plastic Sports LED Indicator (Not suitable for use in the United States or Canada)	4
	A9838028, A9838036, A9838038, A9838048, A9838049, A9838050, A9838074, A9838084	Bullet LED Indicator with aluminium bezel, 64 mm diameter	2
	Original Equipment Bonneville Bobber	Plastic Bullet LED indicator	3

ECM Identification

NOTICE

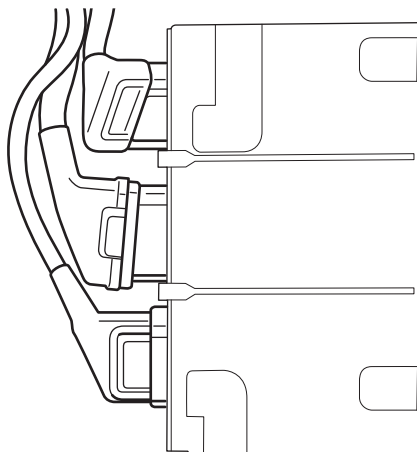
The engine ECM is located under the seat.

Euro 4 ECM



Two Connectors

Euro 5 ECM



Three Connectors

⚠ WARNING

Fit only genuine Triumph accessories to those models approved by Triumph as listed in the associated Triumph fitting instructions.

The accessory kits covered in this instruction are designed for use on specific models of Triumph motorcycle. The accessory kits and the models applicable are listed at the start of the instruction. They should never be fitted to any other Triumph model or to any other manufacturer's motorcycle.

Fitting an accessory kit to a Triumph model not listed, or to any other manufacturer's motorcycle, will affect the performance, stability and handling of the motorcycle.

Failure to follow the advice above may lead to loss of motorcycle control which could result in serious injury or death.

⚠ WARNING

Always have Triumph approved parts, accessories and conversions fitted by a competent person with the specialist knowledge and technical understanding of motorcycles, such as an authorised Triumph dealer.

The fitment of parts, accessories and conversions by a person without the specialist knowledge and technical understanding of motorcycles may affect the handling, stability or other aspects of the motorcycle's operation.

Failure to follow the advice above may lead to loss of motorcycle control which could result in serious injury or death.

⚠ WARNING

A torque wrench of known accurate calibration must be used when fitting this accessory kit.

Failure to tighten any of the fasteners to the correct torque specification may affect motorcycle performance, handling and stability.

Failure to follow the advice above may lead to loss of motorcycle control which could result in serious injury or death.

⚠ WARNING

Make sure the motorcycle is stabilised and adequately supported.

Do not support the motorcycle on any ancillary component, the exhaust system or any other non structural parts of the motorcycle frame.

A correctly supported motorcycle will help prevent it from falling.

An unstable motorcycle may fall resulting in motorcycle damage, serious injury or death.

NOTICE

Triumph offers a broad range of approved genuine accessories for your motorcycle.

We cannot therefore cover all possible equipment variations in these instructions. For removal and installation of Triumph Genuine Accessories, always refer to the instructions supplied with the respective accessory kit.

To obtain additional copies of any Triumph accessory instructions, visit www.triumphinstructions.com or contact your authorised Triumph dealer.

⚠ WARNING

LED indicators must be fitted to the front and rear of the motorcycle at the same time and they must be fitted as a set of the same type.

If LED indicators are fitted to the front or rear only, or different types of LED indicators are fitted to the front and rear, they will not be recognised by the motorcycle's electrical system and will not work.

Riding a motorcycle with any of its lights not working is illegal and dangerous.

⚠ WARNING

With LED indicators fitted, if one of the indicator lights fails, the remaining indicator may not flash faster but will continue to flash at its normal speed.

Check that the lights and indicators are working and rectify as necessary, as described in the Owner's Handbook.

Riding a motorcycle with any of its lights not working is illegal and dangerous.

1. Disconnect the battery as described in the Service Manual.

Fitment of Front Indicators

Street Twin, Speed Twin 900, Street Scrambler, Scrambler 900 Models Only

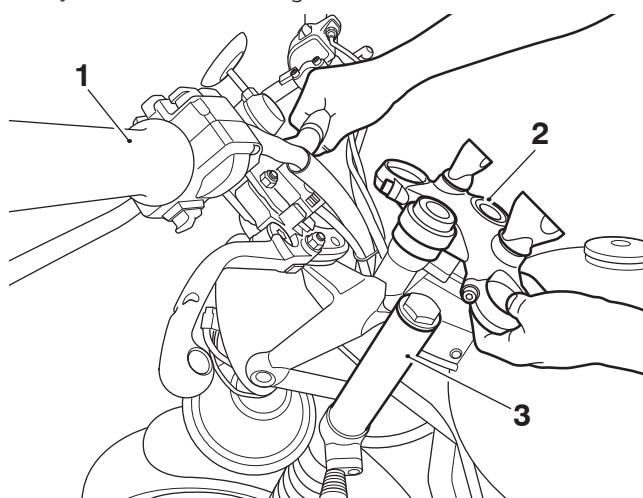
NOTICE

For Sport style LED indicator Kit A9838031, A9838100 the removal and fitting procedure is the same as the original equipment indicators and the original fixings should be reused, refer to the Service Manual. For all other LED indicator kits continue from step 2.

NOTICE

Note the routing of the direction indicator harness for installation.

2. Follow the route of the direction indicator harnesses and disconnect them from the main harness in the headlamp bowl, as described in the Service Manual.
3. Release any retaining straps which may be used to secure the indicator harnesses and carefully feed the harnesses back towards the indicator assemblies.
4. Remove the handlebar clamp fixings and handlebar clamp, retain the clamp and fixings for reuse. Carefully lift the handlebars and have an assistant hold them clear of the top yoke. Remove the top yoke fixings and nut, retain the fixings for reuse. Carefully ease the top yoke off the fork legs.



1. Handlebars
2. Top yoke
3. Fork leg

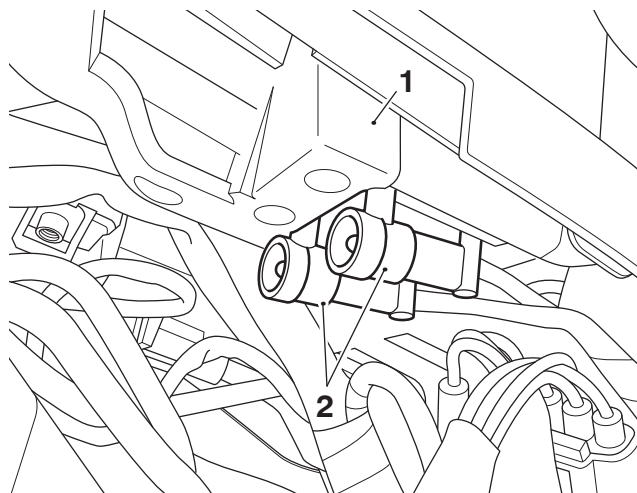
Rocket 3 Models Only

5. Remove the flyscreen as described in the Service Manual. Retain the flyscreen and fixings for reuse.
6. Remove the flyscreen mounting fixings as described in the Service Manual. Retain the fixings for reuse.

NOTICE

Note the routing of the direction indicator harness for installation.

7. Follow the route of the direction indicator harnesses and disconnect them from the main harness on the underside of the flyscreen mounting, as described in the Service Manual.

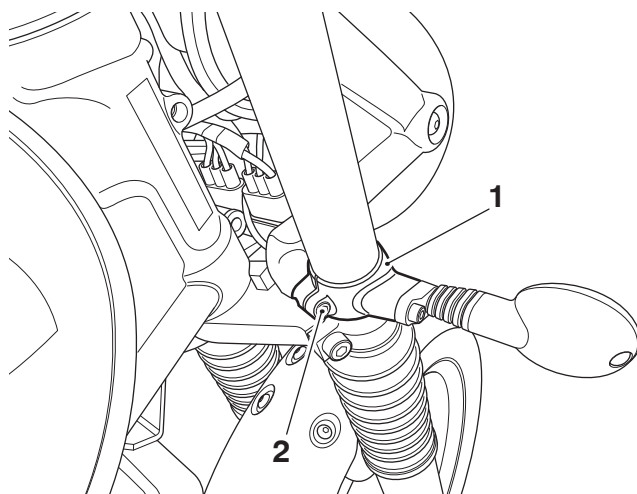


1. Flyscreen mounting
2. Indicator connections, right hand shown

8. Remove the top yoke as described in the Service Manual.

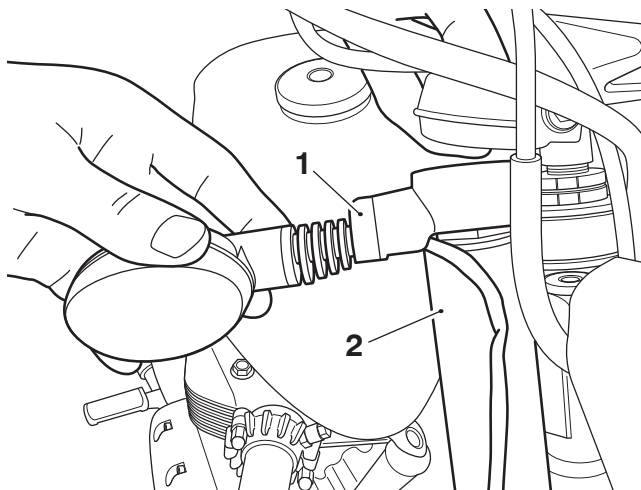
Street Twin, Speed Twin 900, Street Scrambler, Scrambler 900, Rocket 3 Models

9. Remove the indicator mounting clamp fixings, retain the fixings for reuse.



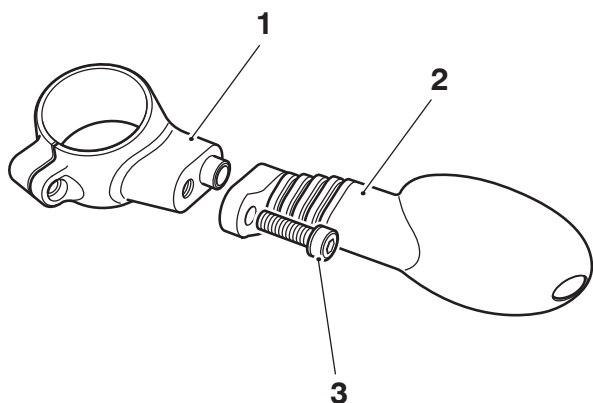
1. Indicator mounting clamp, right hand shown
2. Fixing

10. Remove the mounting clamp and indicator assemblies from the fork legs.



1. Indicator and mounting clamp, right hand shown
2. Fork leg, right hand shown

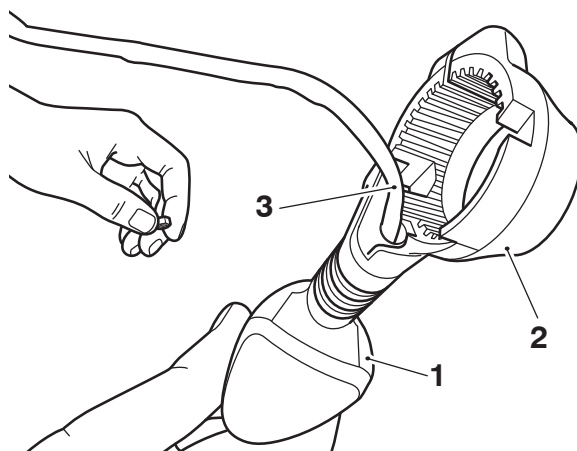
11. Remove the fixing securing the indicator to the mounting clamp. Remove the indicator assembly from the mounting clamp. Retain the mounting clamps for reuse. Retain the indicator assemblies and fixings if the motorcycle is to be returned to its original condition.



1. Mounting clamp
2. Indicator assembly
3. Fixing

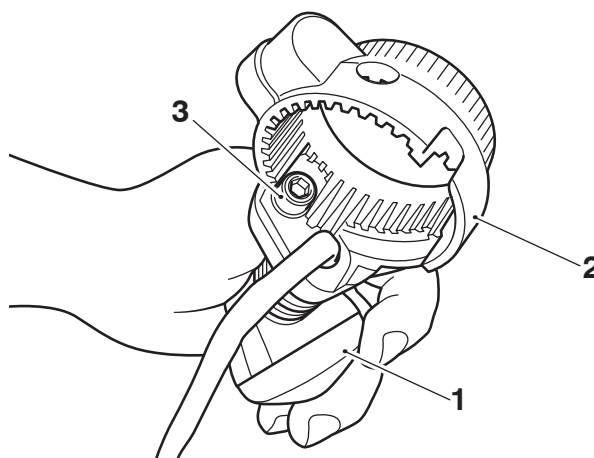
12. Collect the new LED indicators and M6 x 12 mm screws from the kit.

13. Taking one of the new LED indicators and a mounting clamp, carefully feed the indicator harness through the mounting clamp and locate the indicator onto the mounting clamp in the orientation shown.



1. Indicator
2. Mounting clamp
3. Harness

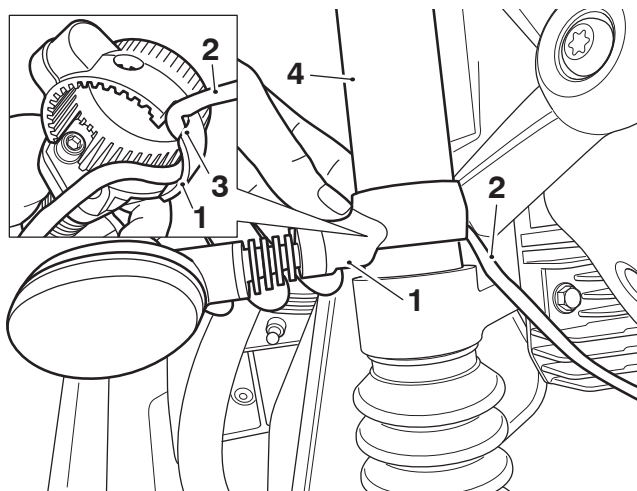
14. Fit one of the new M6 x 12 mm screws from the inside of the mounting clamp, to secure the indicator to the mounting clamp. Tighten the screw to **5 Nm**.



1. Indicator
2. Mounting clamp
3. Screw, M6 x 12 mm

15. Repeat steps 13 and 14 for the second new LED indicator.

16. While making sure the indicator harness is correctly located in the recess slots on the underside of the mounting clamp, fit the indicator and mounting clamp assemblies onto the fork legs, as shown.



1. Indicator and mounting clamp
2. Harness
3. Recess slots
4. Fork leg

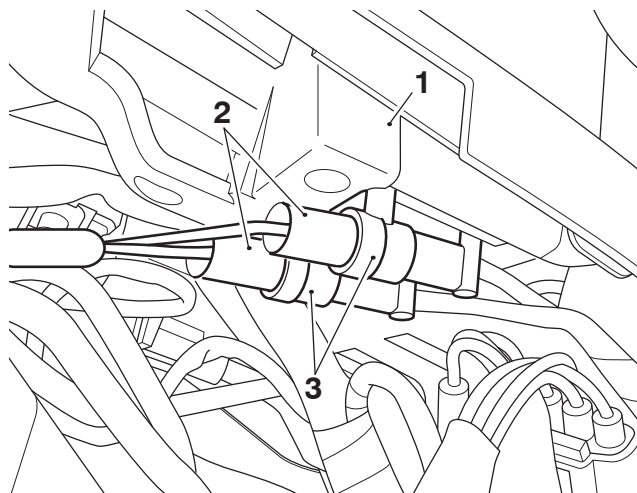
Street Twin, Speed Twin 900, Street Scrambler, Scrambler 900 Models Only

17. Refit the top yoke on to the fork legs and secure with the original fixings, as described in the Service Manual.
18. Refit the handlebars, handlebar clamp and fixings, as described in the Service Manual.
19. Align the new LED indicators correctly on the motorcycle. Fit the original fixings to secure the indicator mounting clamps. Tighten the fixings to **3 Nm**.
20. Route the indicator harnesses to the main wiring harness connections in the headlamp bowl, following the path noted when removing the original indicators.
21. Connect the indicator harnesses as described in the Service Manual.

Rocket 3 Models Only

22. Refit the top yoke as described in the Service Manual.
23. Align the new LED indicators correctly on the motorcycle. Fit the original fixings to secure the indicator mounting clamps. Tighten the fixings to **3 Nm**.

24. Route the indicator harnesses to the main wiring harness connections on the underside of the flyscreen mounting, following the path noted when removing the original indicators.



1. Flyscreen mounting
2. Indicator harness, connectors, right hand shown
3. Main wiring harness connectors, right hand shown

25. Connect the indicator harnesses as described in the Service Manual.

26. Refit the flyscreen mounting with the original fixings, as described in the Service Manual.

27. Refit the flyscreen, as described in the Service Manual.

Street Cup, Bonneville T100, Bonneville T120, Bonneville T120 Black, Bonneville Bobber, Bonneville Bobber Black, Bonneville Speedmaster from VIN 739143, Thruxton 1200, Thruxton 1200 R, Thruxton RS, Speed Twin, Scrambler 1200 XC, Scrambler 1200 XE, Scrambler 1200 X

28. Remove the indicators as described in the Service Manual. Retain the indicators for reuse if the motorcycle is to be returned to its original condition. Discard the fixings.

29. Fit the new LED indicators following the procedure for the original indicators described in the Service Manual. Secure with the M6 x 12 mm screws provided in the kit.

30. Tighten the screws to **5 Nm**.

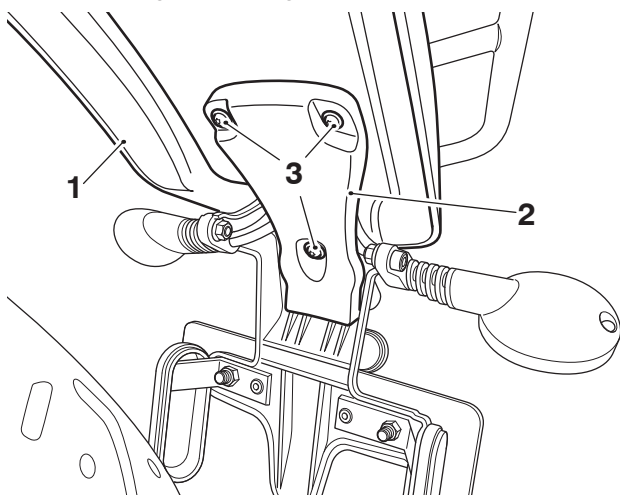
Fitment of Rear Indicators

Street Twin, Speed Twin 900, Street Scrambler, Scrambler 900 Only

NOTICE

For Sport style LED indicator Kit A9838043, A9838099 the removal and fitting procedure is the same as the original equipment indicators and the original fixings should be reused, refer to the Service Manual. For all other LED indicator kits continue from step 1.

1. Remove the wiring cover moulding from the underside of the mudguard. Retain the moulding and fixings for reuse.

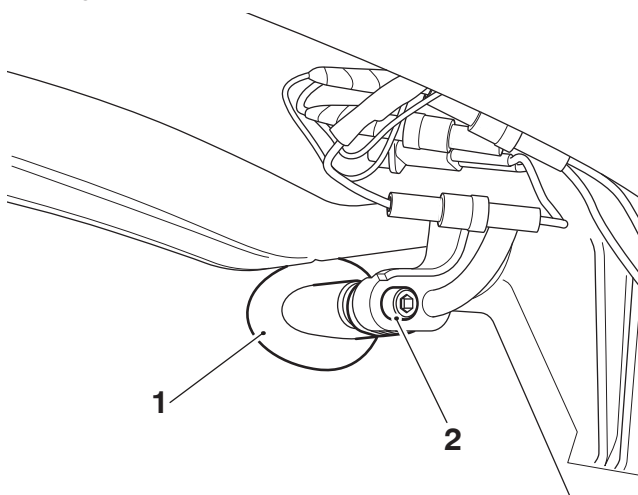


1. Rear mudguard
2. Wiring cover moulding
3. Fixings

NOTICE

Note the routing of the direction indicator harness for installation.

2. Remove the left hand and right hand indicators as described in the Service Manual. Retain the indicators if the motorcycle is to be returned to its original condition. Discard the fixings.
3. Fit the new LED indicators to the left hand and right hand side of the motorcycle and secure with the new M6 x 12 mm screws from the kit. Tighten the screws to **5 Nm**.



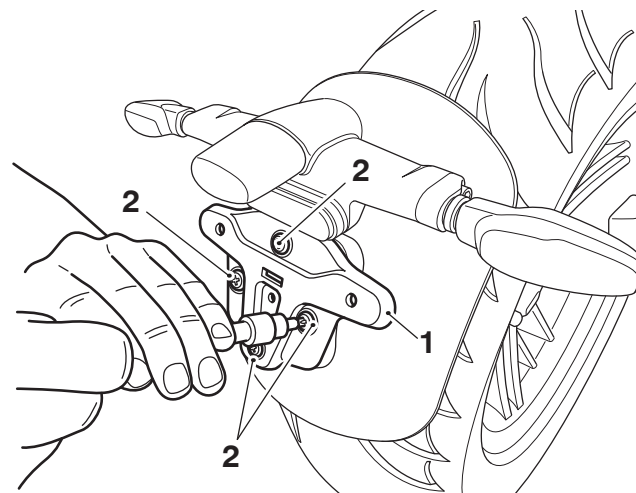
1. Indicator, right hand shown
2. Screw, M6 x 12 mm

4. Route the indicator harnesses to the main wiring harness connections, following the path noted when removing the original indicators.
5. Connect the indicator harnesses as described in the Service Manual.

6. Refit the wiring cover moulding to the underside of the mudguard and secure with the original fixings. Tighten the fixings to **2 Nm**.
7. Reconnect the battery as described in the Service Manual.

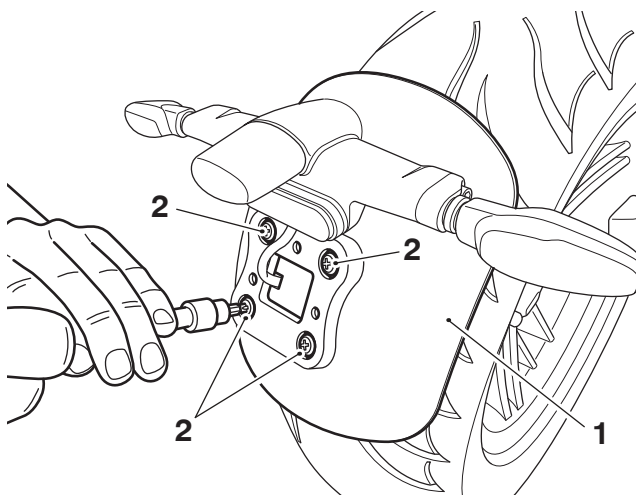
Rocket 3 Models Only

8. Remove the rear licence plate. Retain the licence plate and fixings for reuse.
9. Remove the rear licence plate hanger. Retain the licence plate hanger and fixings for reuse.



1. Rear licence plate hanger
2. Fixings

10. Remove the rear spray guard. Retain the spray guard and fixings for reuse.

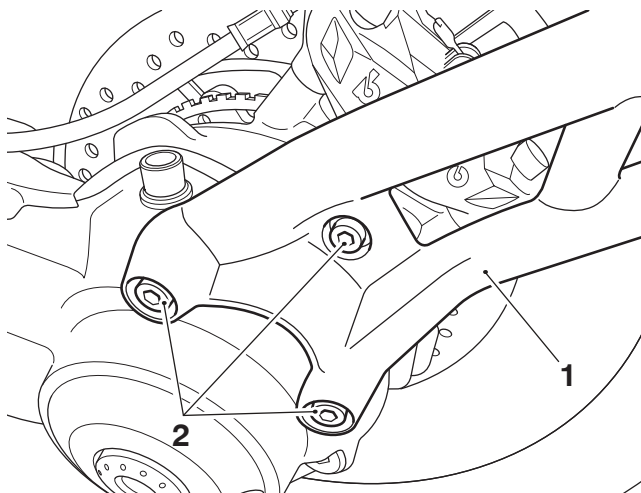


1. Rear spray guard
2. Fixings

CAUTION

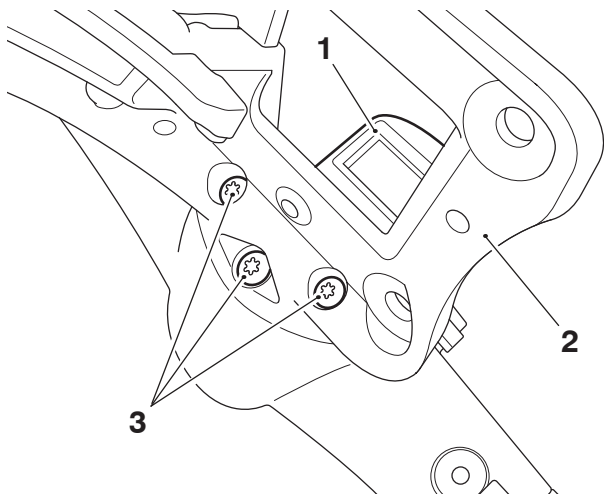
When removing the rear side mount fixings make sure the rear side mount is supported at all times. If the rear side mount is not supported when the fixings are removed the rear side mount will fall from the motorcycle and may result in damage to the side mount, indicators or rear light.

11. While supporting the rear side mounting remove the three fixings from the left hand side of the motorcycle. Retain the fixings for reuse.



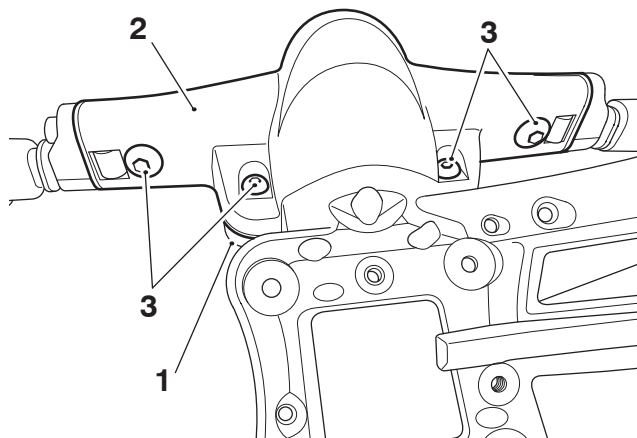
1. Rear side mount
2. Fixings

12. Remove the three fixings securing the rear light housing to the rear side mount. Retain the fixings for reuse.



1. Rear light housing
2. Rear side mount
3. Fixings

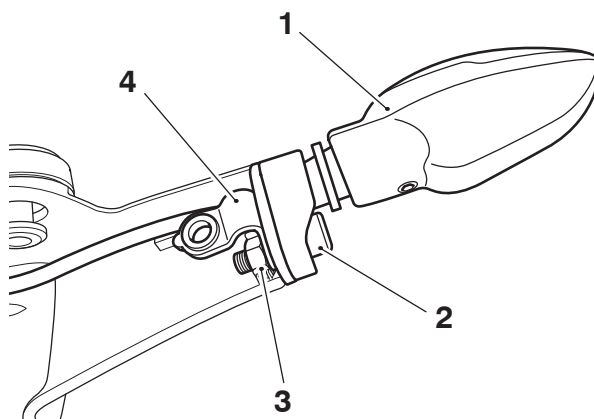
13. Remove the four fixings securing the indicator cover to the rear light housing. Retain the fixings for reuse.



1. Rear light housing
2. Indicator cover
3. Fixings

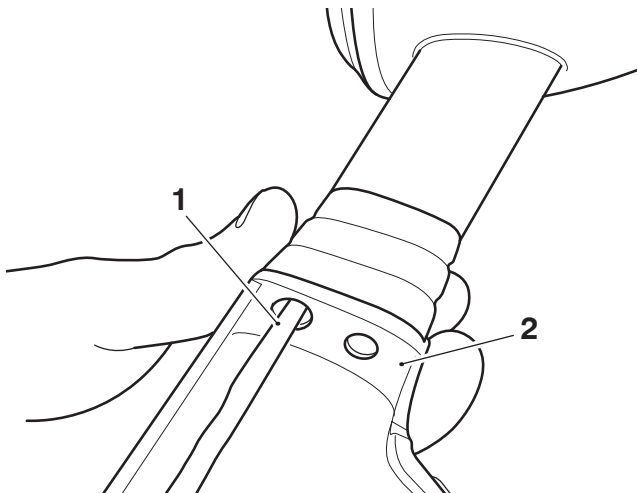
14. Disconnect the left hand and right hand indicator harnesses.

15. Remove the left hand and right hand rear indicators. Retain the indicators, fixings and nuts for reuse if the motorcycle is to be returned to its original condition. Retain the brackets for reuse.



1. Rear indicator, right hand shown
2. Fixing, right hand shown
3. Nut
4. Bracket

- Take one of the LED indicators from the kit and feed the indicator harness through the right hand side of the rear light housing, as shown.

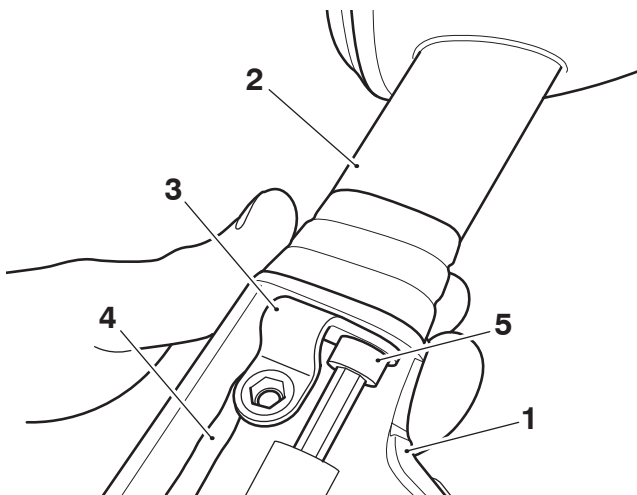


- LED indicator harness
- Rear light housing, right hand side shown

CAUTION

A wiring harness which becomes trapped or kinked during installation, or motorcycle operation, may result in wiring harness damage and electrical malfunctions.

- Fit an LED indicator with the original right hand bracket, in the orientation shown, to the rear light housing making sure the indicator harness is routed past the bracket. Fit an M6 x 12 mm encapsulated fixing from the kit. Tighten the fixing to **8 Nm**.



- Rear light housing
- LED indicator
- Bracket
- Indicator harness
- Fixing, M6 x 12 mm encapsulated

- Repeat steps 16 and 17 for the left hand side.

- Connect the indicator harnesses as described in the Service Manual.
- Refit the indicator cover to the rear light housing with the original fixings. Tighten the fixings to **3 Nm**.
- Refit the rear light housing to the side mount with the original fixings. Tighten the fixings to **3 Nm**.
- Refit the side mount to the motorcycle with the original fixings, Tighten the fixings to **20 Nm**.
- Refit the rear spray guard with the original fixings, Tighten the fixings to **3 Nm**.
- Refit the licence plate hanger with the original fixings, Tighten the fixings to **3 Nm**.
- Refit the rear licence plate with the original fixings.
- Reconnect the battery as described in the Service Manual.

Street Cup, Bonneville T100, Bonneville T120, Bonneville T120 Black, Bonneville Bobber, Bonneville Bobber Black, Bonneville Speedmaster from VIN 739143, Thruxton 1200, Thruxton 1200 R, Thruxton RS, Speed Twin, Scrambler 1200 XC, Scrambler 1200 XE, Scrambler 1200 X

- Remove the indicators as described in the Service Manual. Retain the indicators for reuse if the motorcycle is to be returned to its original condition. Discard the fixings.
- Fit the new LED indicators following the procedure for the original indicators described in the Service Manual. Secure with the M6 x 12 mm screws provided in the kit.
- Tighten the screws to **5 Nm**.
- Reconnect the battery as described in the Service Manual.

LED Indicator Activation

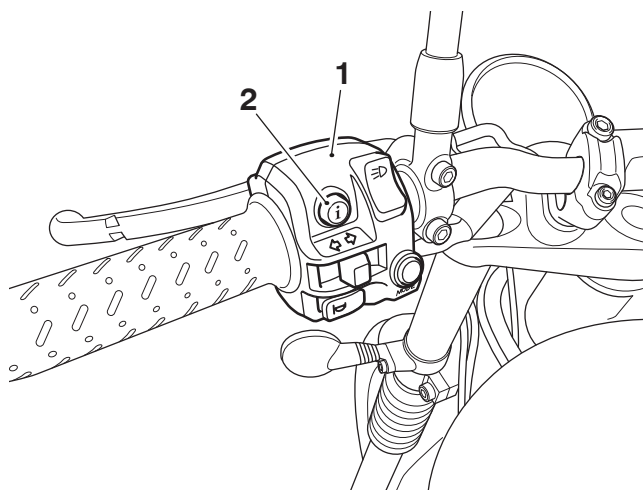
Street Cup, Bonneville T100, Bonneville T120, Bonneville T120 Black, Bonneville Bobber, Bonneville Bobber Black, Bonneville Speedmaster from VIN 739143, Thruxton 1200, Thruxton 1200 R, Thruxton RS, Speed Twin

NOTICE

Before the new LED indicators can become operational the motorcycle control unit needs to be reset. • The **LED Alternative Indicator Table** includes the various alternative indicators available and the specific "type" number applicable.

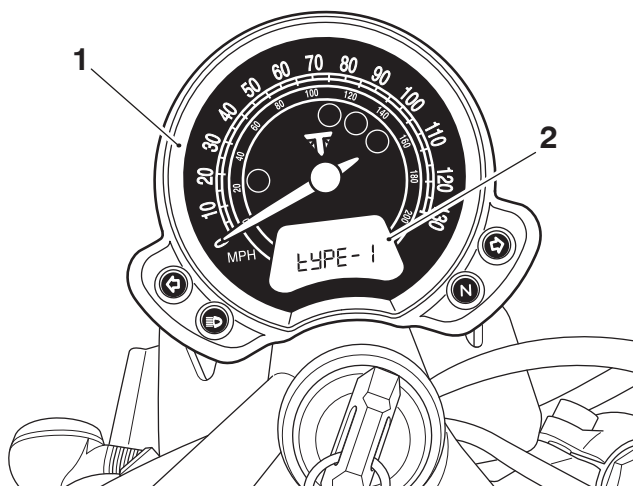
- Make sure the ignition key is in the off position.

- Press and hold down the "i" button on the left hand switch cube.



- Left hand switch cube
- "i" button

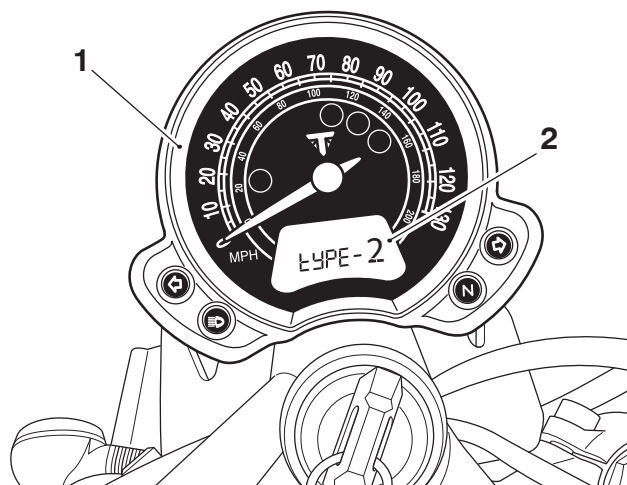
- While holding the "i" button down, turn on the ignition. Do not release the "i" button.
- Continue to hold down the "i" button until the instrument panel displays the type of indicator programmed into the system.



- Instrument panel
- "type" display

- Release the "i" button.

- Refer to the table provided on page 16, press and release the "i" button until the "type" number for the accessory LED indicators fitted is displayed.



- Instrument panel
- "type" display

- To store the new setting, press and hold down the "i" button until the "type" is not shown on the instrument panel.
- Check that all indicators, front and rear, function correctly. If the indicators do not function, repeat steps 1 to 7.

⚠ WARNING

After fitting the accessory kit the motorcycle will exhibit new handling characteristics.

Operate the motorcycle in a safe area free from traffic to gain familiarity with any new characteristics.

Operation of the motorcycle when not familiar with any new handling characteristics may lead to loss of motorcycle control which could result in serious injury or death.

⚠ WARNING

If, after fitting this accessory kit, you have any doubt about the performance of any aspect of the motorcycle, contact a competent person with the specialist knowledge and technical understanding of motorcycles, such as an authorised Triumph dealer.

Riding a motorcycle when there is any doubt as to any aspect of the performance of the motorcycle may lead to loss of motorcycle control which could result in serious injury or death.

⚠ WARNING

Never ride an accessory-equipped motorcycle at speeds above 80 mph (130 km/h).

Remember that the 80 mph (130 km/h) limit will be reduced by the fitting of non-approved accessories, incorrect loading, worn tyres, overall motorcycle condition and poor road or weather conditions.

The presence of accessories will cause changes in the stability and handling of the motorcycle. Failure to allow for changes in motorcycle stability may lead to loss of motorcycle control which could result in serious injury or death.

⚠ WARNING

High-speed operation should only be attempted by riders who have been instructed in the techniques necessary for high-speed riding and are familiar with the motorcycle's characteristics in all conditions.

Only operate this Triumph motorcycle at high speed in closed-course, on-road competition or on closed-course racetracks.

High-speed operation in any other circumstances is dangerous and may lead to loss of motorcycle control which could result in serious injury or death.

NOTICE

The motorcycle must not be operated above the legal road speed limit except in closed-course conditions.