

English

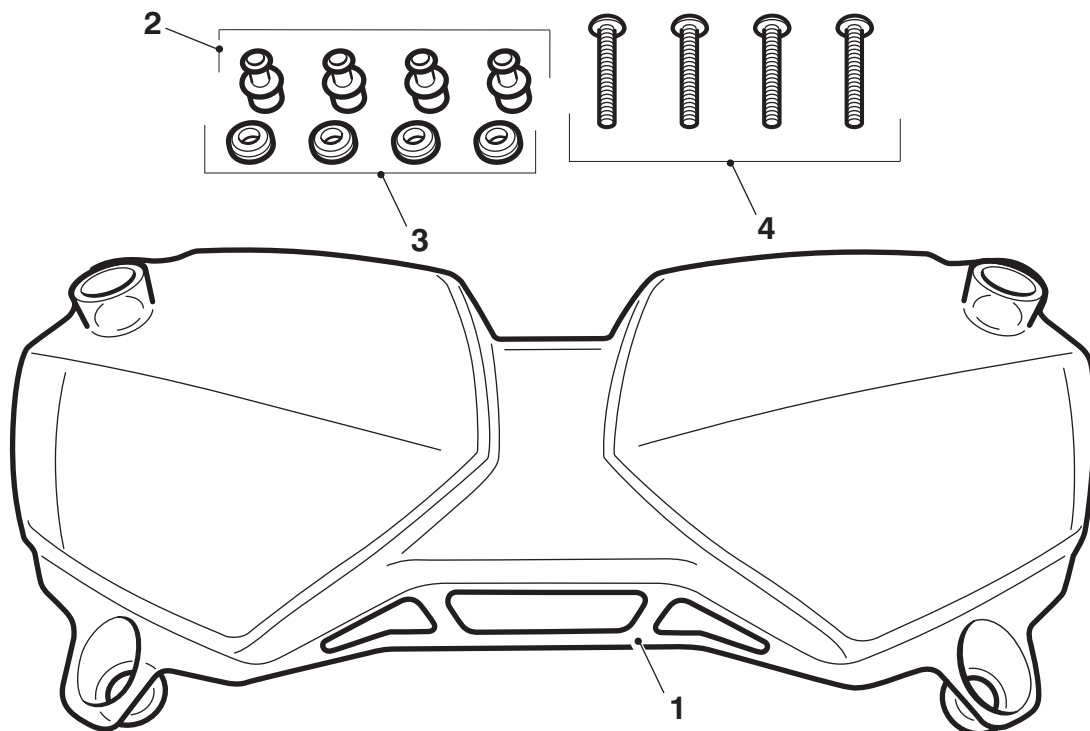
Fitting Instructions:

**Tiger XR, Tiger XRT, Tiger XRx, Tiger XC, Tiger XCA, Tiger XCx,
Tiger 800, Tiger 800 XC, Tiger 800 XCx, Tiger 800 XR, Tiger 800 XRx,
Tiger 800 XRx LRH,
Tiger Explorer, Tiger Explorer XC, Explorer XR, Explorer XRx, Explorer XRT,
Explorer XC, Explorer XCx, Explorer XCA,
Tiger 1200 XR
A9838007**

Thank you for choosing this Triumph genuine accessory kit. This accessory kit is the product of Triumph's use of proven engineering, exhaustive testing, and continuous striving for superior reliability, safety and performance.

Completely read all of these instructions before commencing the installation of the accessory kit in order to become thoroughly familiar with the kit's features and the installation process.

These instructions should be considered a permanent part of your accessory kit, and should remain with it even if your accessory-equipped motorcycle is subsequently sold.



Parts Supplied:

1. Headlamp protector	1 off	3. Grommet	4 off
2. Spacer	4 off	4. Screw, M5 x 45 mm	4 off

Notice

OFF ROAD USE ONLY. In some countries, use of a motorcycle fitted with this accessory kit on public roads may render the user liable to prosecution. Always remove the headlamp protector before using the motorcycle on public roads.



Warning

The accessory kits covered in this instruction are designed for use on specific models of Triumph motorcycle. The accessory kits and the models applicable are listed at the start of the instruction. They should not be fitted to any other Triumph model or to any other manufacturer's motorcycle. Fitting an accessory kit to a Triumph model not listed, or to any other manufacturer's motorcycle will affect the performance, stability and handling of the motorcycle. This may affect the rider's ability to control the motorcycle and could cause an accident.



Warning

Always have Triumph approved parts, accessories and conversions fitted by a trained technician of an authorised Triumph dealer. The fitment of parts, accessories and conversions by a technician who is not of an authorised Triumph dealer may affect the handling, stability or other aspects of the motorcycle's operation which may result in loss of motorcycle control and an accident.



Warning

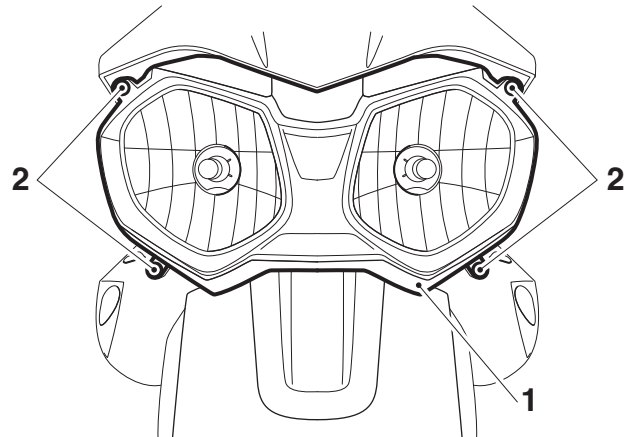
Throughout this operation, ensure that the motorcycle is stabilised and adequately supported to prevent risk of injury from the motorcycle falling.



Warning

A torque wrench of known accurate calibration must be used when fitting this accessory kit. Failure to tighten any of the fasteners to the correct torque specification may affect motorcycle performance, handling and stability. This may result in loss of motorcycle control and an accident.

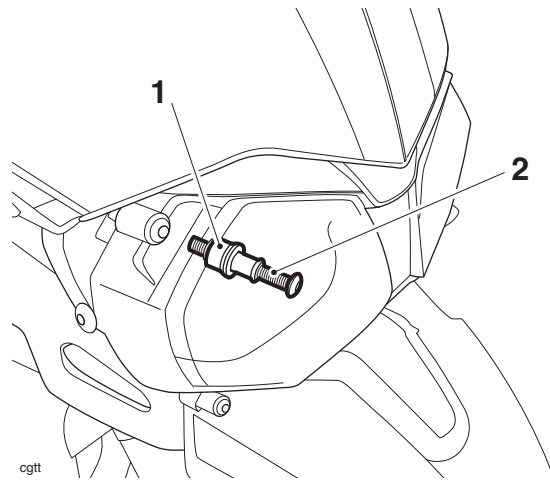
1. Remove one of the four headlamp bezel fixings. Do not remove all of the fixings at the same time.



1. Headlamp bezel

2. Fixings

2. Fit a spacer to one of the M5 x 45 mm screws as shown below and install it to the headlamp bezel fixing positions.
3. Repeat steps 1 and 2 for the remaining fixings. Do not tighten the fixings at this stage.

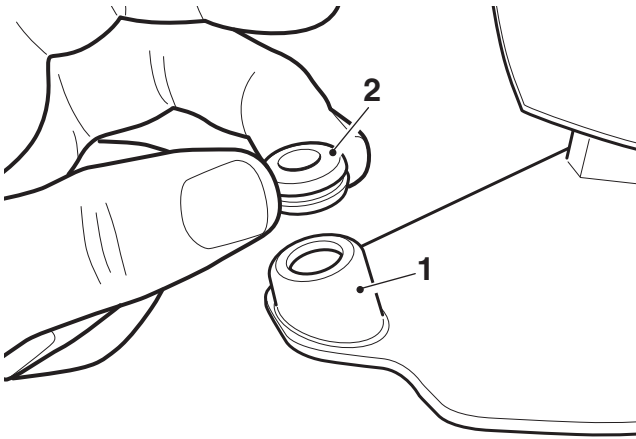


1. Spacer

2. Fixing

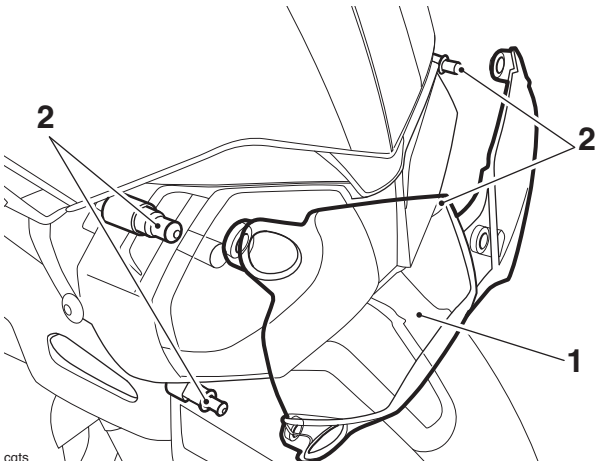
4. Retain the original fixings if the motorcycle is to be returned to its original condition.

5. Fit the four grommets to the headlamp protector.



- 1. Headlamp protector**
2. Grommet

6. Install the headlamp protector to the four spacers, one at a time, ensuring the grommets do not become dislodged as they pass over the spacers.
7. If necessary, lubricate the grommet with a thin smear of suitable water based lubricant, such as tyre mounting paste, to aid assembly.



- conts
1. Headlamp protector
2. Spacers

8. Tighten the headlamp protector fixings to **3 Nm**.

! Caution

Products such as window cleaning fluids, insect remover, rain repellent, scouring compounds, petrol or strong solvents such as alcohol, acetone, carbon tetrachloride, etc. will damage the headlamp protector. Never allow these products to contact the headlamp protector.

Clean the headlamp protector with a solution of mild soap or detergent and lukewarm water. After cleaning, rinse well and then dry with a soft, lint free cloth.

! Warning

Never attempt to clean the headlamp protector while the motorcycle is in motion as releasing the handlebars may cause loss of vehicle control and an accident.

! Warning

If, after fitment of this accessory kit, you have any doubt about the performance of any aspect of the motorcycle, contact an authorised Triumph dealer and do not ride the motorcycle until the authorised dealer has declared it fit for use. Riding a motorcycle when there is any doubt as to any aspect of the performance of the motorcycle may result in loss of control of the motorcycle leading to an accident.

! Warning

Never ride an accessory equipped motorcycle at speeds above 80 mph (130 km/h).

The presence of accessories will cause changes in the stability and handling of the motorcycle. Failure to allow for changes in motorcycle stability may lead to loss of control or an accident.

Remember that the 80 mph (130 km/h) limit will be reduced by the fitting of non-approved accessories, incorrect loading, worn tyres, overall motorcycle condition and poor road or weather conditions.

! Warning

The motorcycle must not be operated above the legal road speed limit except in closed course conditions.

! Warning

Only operate this Triumph motorcycle at high speed in closed-course, on road competition or on closed-course racetracks. High-speed operation should only be attempted by riders who have been instructed in the techniques necessary for high-speed riding and are familiar with the motorcycle's characteristics in all conditions.

High-speed operation in any other circumstances is dangerous and will lead to loss of motorcycle control and an accident.