



Accessory Fitting Instructions

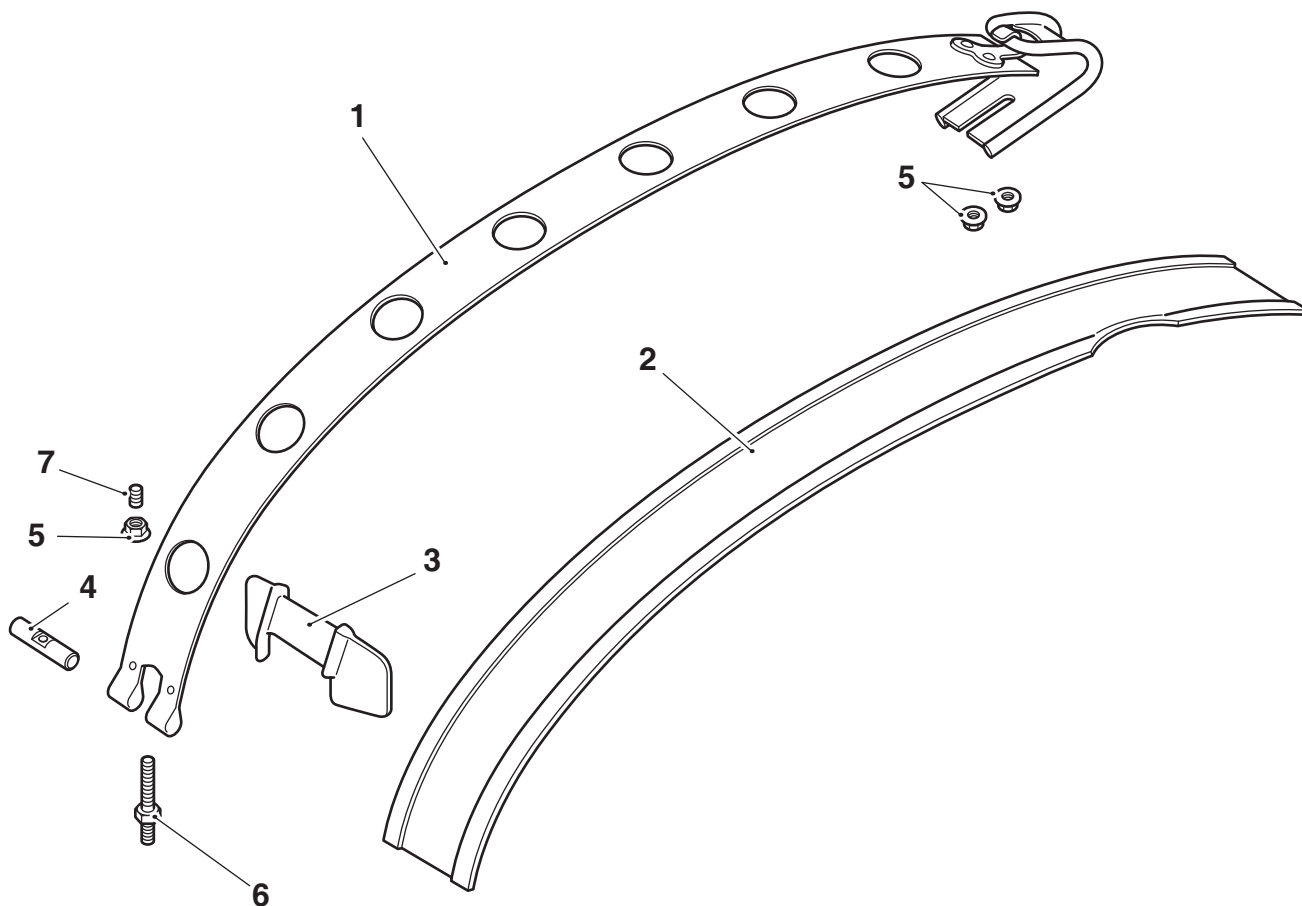
Tank Strap Kit - Leather - Black	
Kit Number	Models Affected
A9798010	Thrupton 1200, Thrupton 1200 R, Thrupton RS, Thrupton TFC
Tank Strap Kit - Leather - Brown	
Kit Number	Models Affected
A9798011	Thrupton 1200, Thrupton 1200 R, Thrupton RS, Thrupton TFC
Tank Strap Kit - Rubber	
Kit Number	Models Affected
A9798018	Thrupton 1200

Thank you for choosing this Triumph genuine accessory kit. This accessory kit is the product of Triumph's use of proven engineering, exhaustive testing, and continuous striving for superior reliability, safety and performance.

Completely read all of these instructions before commencing the installation of the accessory kit in order to become thoroughly familiar with the kit's features and the installation process.

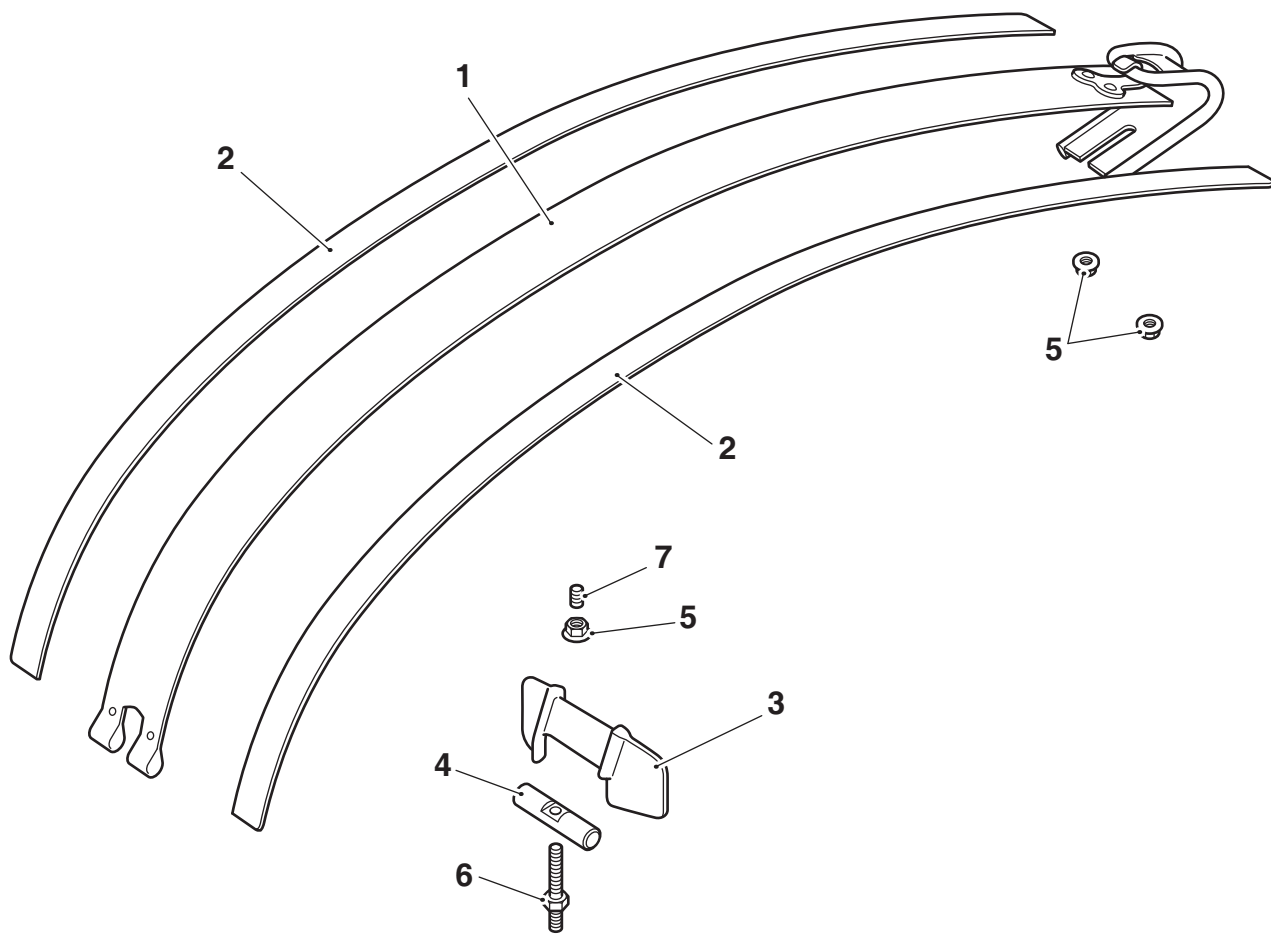
These instructions should be considered a permanent part of your accessory kit, and should remain with it even if your accessory equipped motorcycle is subsequently sold.

Parts Supplied: A9798010, A9798011



1. Tank strap	1 off	5. Lock nut, M5	3 off
2. Tank strap, leather	1 off	6. Stud, M5/M6	1 off
3. Rubber shield	1 off	7. Thread protector	1 off
4. Boss, tank strap	1 off	8. Cleaning wipe (not shown)	1 off

Parts Supplied: A9798018



1.	Tank Strap	1 off	5.	Lock nut, M5	3 off
2.	Rubber strap	2 off	6.	Stud, M5/M6	1 off
3.	Rubber shield	1 off	7.	Thread protector	1 off
4.	Boss, tank strap	1 off	8.	Cleaning wipe (not shown)	1 off

Warning

The accessory kits covered in this instruction are designed for use on specific models of Triumph motorcycle. The accessory kits and the models applicable are listed at the start of the instruction. They should not be fitted to any other Triumph model or to any other manufacturer's motorcycle. Fitting an accessory kit to a Triumph model not listed, or to any other manufacturer's motorcycle will affect the performance, stability and handling of the motorcycle. This may affect the rider's ability to control the motorcycle and could cause an accident.

Warning

Always have Triumph approved parts, accessories and conversions fitted by a trained technician of an authorised Triumph dealer. The fitment of parts, accessories and conversions by a technician who is not of an authorised Triumph dealer may affect the handling, stability or other aspects of the motorcycle's operation which may result in loss of motorcycle control and an accident.

Warning

Throughout this operation, ensure that the motorcycle is stabilised and adequately supported to prevent risk of injury from the motorcycle falling.

Warning

A torque wrench of known accurate calibration must be used when fitting this accessory kit. Failure to tighten any of the fasteners to the correct torque specification may affect motorcycle performance, handling and stability. This may result in loss of motorcycle control and an accident.

Note:

- Triumph offers a broad range of approved genuine accessories for your motorcycle. We cannot therefore cover all possible equipment variations in these instructions. For removal and installation of Triumph Genuine Accessories, always refer to the instructions supplied with the respective accessory kit. To obtain additional copies of any Triumph accessory instructions, visit www.triumphinstructions.com or contact your authorised Triumph dealer.

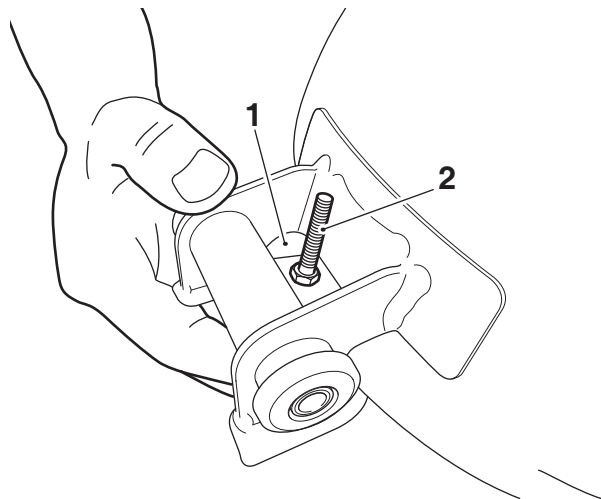
- Remove the seat, as described in the Service Manual.
- Disconnect the battery, negative (black) lead first.
- Remove the fuel tank, as described in the Service Manual.

Note:

- For Thruxton 1200 models continue from step 4.
- For Thruxton 1200 R, Thruxton RS, Thruxton TFC models remove the original tank strap as described in the Service Manual and continue from step 11. Retain the original tank strap for reuse if the motorcycle is to be returned to its original condition. Discard the lock nuts from the tank strap front and rear fixings.

Thruxton 1200 Models only

- Fit the stud from the kit into the rear mounting bracket of the fuel tank with the shorter M6 thread into the bracket, as shown. Tighten to **5 Nm**.

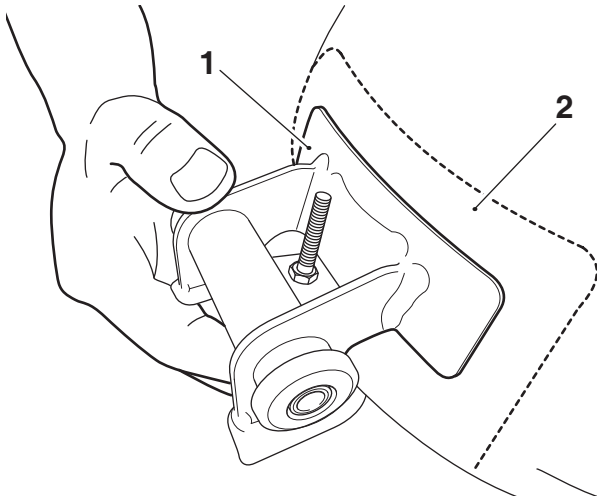


- Rear mounting bracket, fuel tank
- Stud

Note:

- Read the warning notices printed on the cleaning wipe packet.
- The surface to which the rubber shield is affixed must be clean and dry to ensure that the adhesive has a sound base to adhere to. Use the cleaning wipe supplied for this purpose.

- Clean the area above the rear fuel tank mounting bracket, as shown below.



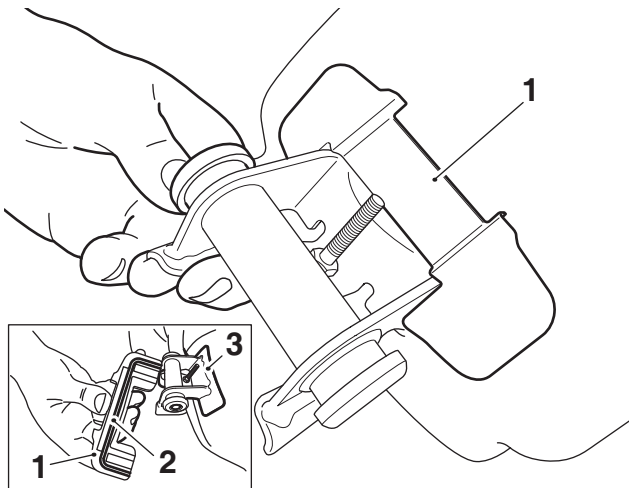
- Rear mounting bracket, fuel tank
- Cleaning area



Caution

When fitting self-adhesive parts care must be taken to ensure positioning is correct and accurate. Once the adhesive has been attached to the mounting surface, there is no satisfactory method of removal or re-positioning if incorrectly aligned. Initial bonding is instant, full bonding is achieved after 72 hours.

- Remove the protective strips from the rubber shield provided. Align the groove in the rubber shield with the fuel tank rear mounting bracket, as shown below and attach the rubber shield to the tank.



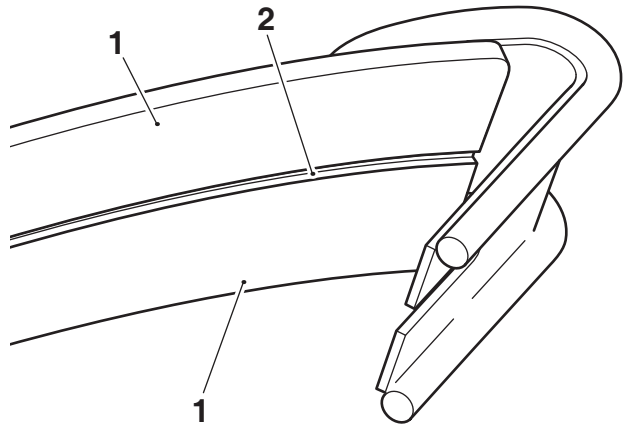
- Rubber shield
- Groove
- Rear mounting bracket, fuel tank

Thruxton 1200 Models only Rubber Tank Strap - Two Piece

- Collect the metal tank strap and two rubber straps from the kit.
- Ensure the underside of the metal tank strap is clean and dry.

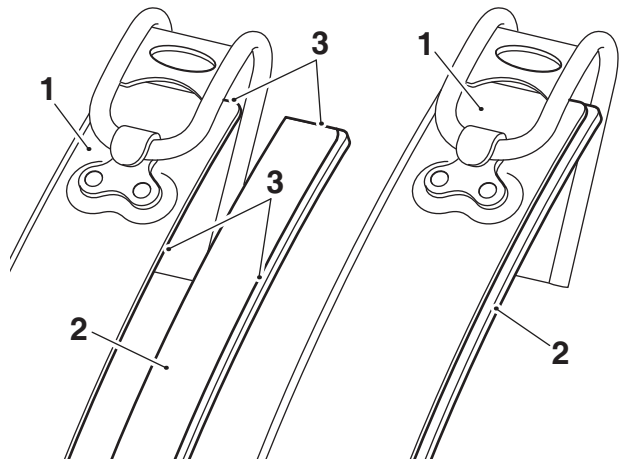
Note:

- When fitted correctly there should be a gap between the rubber straps on the underside of the tank strap, as shown.



- Rubber strap
- Gap

- Remove the protective strip from one of the rubber straps. Align the rubber strap with the right hand side of the metal tank strap, as shown and attach the rubber strap to the underside of the metal tank strap.



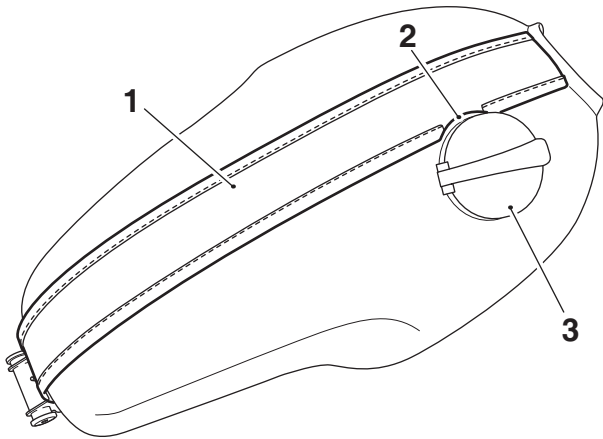
- Tank strap, metal
- Rubber strap
- Alignment positions

- Repeat step 9 for the left hand side of the metal tank strap.

**Thruxton 1200, Thruxton 1200 R, Thruxton RS,
Thruxton TFC Models**
Leather Tank Strap

Note:

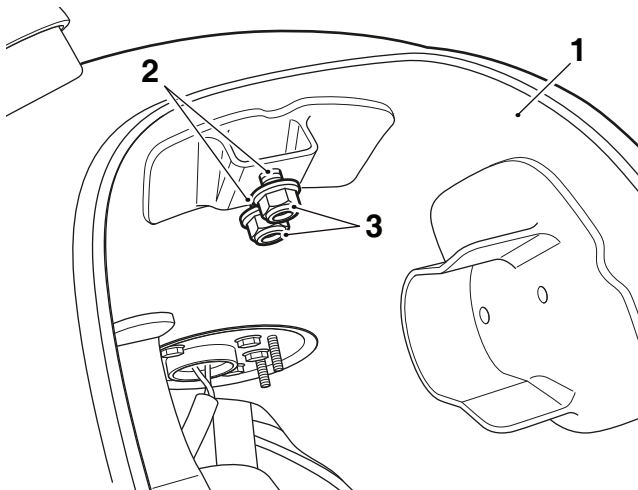
- **Ensure the fuel tank and underside of the leather strap are clean and dry prior to fitting.**
11. Place the leather strap on to the fuel tank aligning the semi-circular section of the strap with the fuel tank filler cap, as shown.



1. Leather strap
2. Semi-circular cut out
3. Fuel tank filler cap

All Models

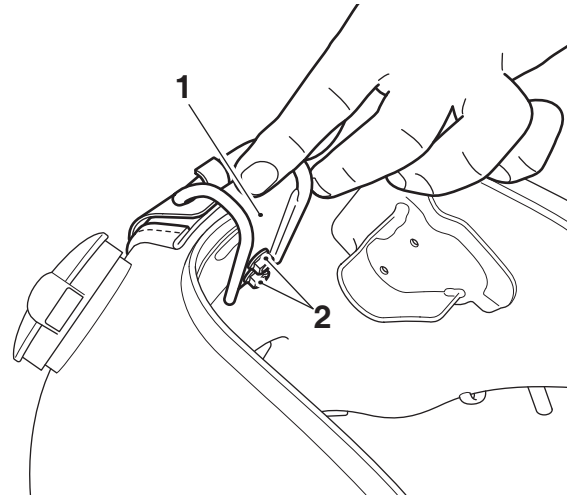
12. Locate the two mounting studs on the underside of the fuel tank and loosely fit two of the M5 lock nuts from the kit, as shown.



1. Fuel tank
2. Mounting stud
3. Lock nut, M5

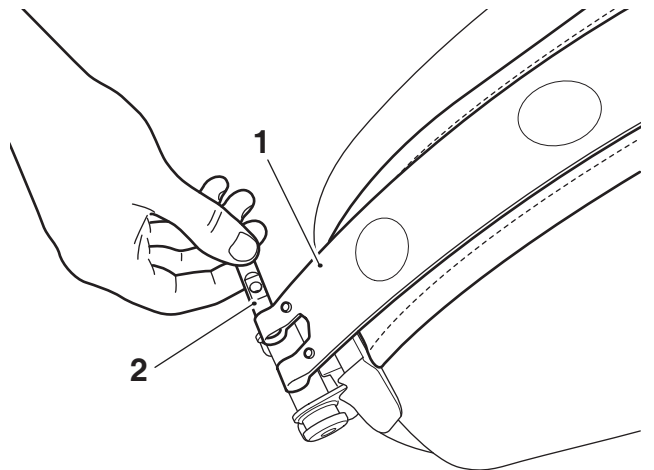
Note:

- **When fitting the front latch on to the fuel tank ensure the latch does not contact the front edge or top surface of the fuel tank.**
13. Locate the slot in the metal tank strap latch on to the mounting studs on the underside of the fuel tank. Push the tank strap latch on to the studs as far as possible. Tighten the lock nuts to **5 Nm**.



1. Tank strap latch
2. Lock nut, M5

14. Fit the boss from the kit into the metal tank strap rear fixing position, in the orientation shown below.



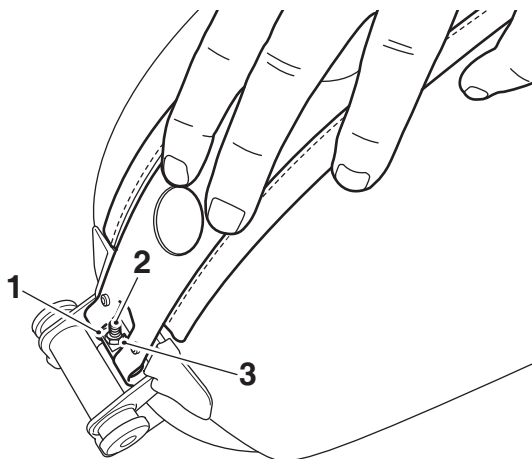
1. Tank strap, metal
2. Boss

15. **Leather Tank Strap**
Lower the metal tank strap on to the leather strap, ensuring the leather strap remains positioned correctly on the fuel tank.

Rubber Tank Strap

Ensure the fuel tank and underside of the leather strap are clean and dry. Lower the tank strap on to the fuel tank.

16. Locate the boss at the rear of the strap on to the stud at the rear of the tank. Fit an M5 lock nut from the kit and tighten to **1.5 Nm**.



1. Boss
2. Stud
3. Lock nut, M5

17. Fit the thread protector provided on to the exposed threads of the rear mounting stud.
18. Refit the fuel tank, as described in the Service Manual.
19. Reconnect the battery, positive (red) lead first and tighten the battery terminals to **4.5 Nm**.
20. Refit the seat, as described in the Service Manual.

Warning

After fitting the accessory kit the motorcycle will exhibit new handling characteristics. Operate the motorcycle in a safe area free from traffic to gain familiarity with any new characteristics. Operation of the motorcycle when not familiar with any new handling characteristics may result in loss of motorcycle control and an accident.

Warning

If, after fitting this accessory kit, you have any doubt about the performance of any aspect of the motorcycle, contact an authorised Triumph dealer and do not ride the motorcycle until the authorised dealer has declared it fit for use. Riding a motorcycle when there is any doubt as to any aspect of the performance of the motorcycle may result in loss of control of the motorcycle leading to an accident.

Warning

Never ride an accessory-equipped motorcycle at speeds above 80 mph (130 km/h).

The presence of accessories will cause changes in the stability and handling of the motorcycle. Failure to allow for changes in motorcycle stability may lead to loss of control or an accident.

Remember that the 80 mph (130 km/h) limit will be reduced by the fitting of non-approved accessories, incorrect loading, worn tyres, overall motorcycle condition and poor road or weather conditions.

Warning

The motorcycle must not be operated above the legal road speed limit except in closed-course conditions.

Warning

Only operate this Triumph motorcycle at high speed in closed-course, on-road competition or on closed-course racetracks. High-speed operation should only be attempted by riders who have been instructed in the techniques necessary for high-speed riding and are familiar with the motorcycle's characteristics in all conditions.

High-speed operation in any other circumstances is dangerous and will lead to loss of motorcycle control and an accident.