



Accessory Fitting Instructions

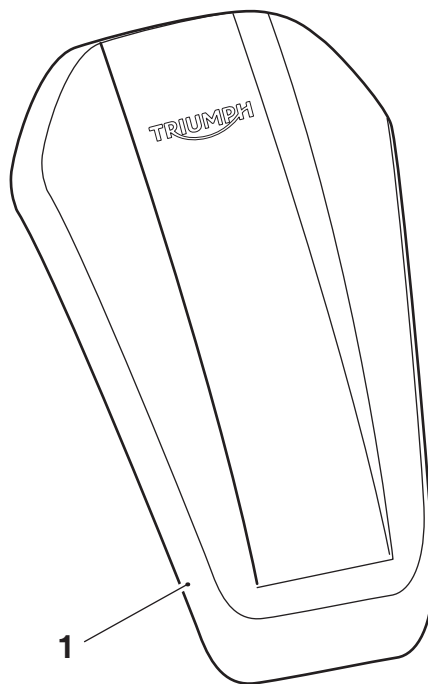
Tank Pad Kit	
Kit Number	Models Affected
A9790095	Trident from VIN AC6898

Thank you for choosing this Triumph genuine accessory kit. This accessory kit is the product of Triumph's use of proven engineering, exhaustive testing, and continuous striving for superior reliability, safety and performance.

Completely read all of these instructions before commencing the installation of the accessory kit in order to become thoroughly familiar with the kit's features and the installation process.

These instructions should be considered a permanent part of your accessory kit, and should remain with it even if your accessory equipped motorcycle is subsequently sold.

Parts Supplied



1. Tank pad	1 off	2. Cleaning wipe (not shown)	1 off
-------------	-------	------------------------------	-------

Warning

Fit only genuine Triumph accessories to those models approved by Triumph as listed in the associated Triumph fitting instructions. The accessory kits covered in this instruction are designed for use on specific models of Triumph motorcycle. The accessory kits and the models applicable are listed at the start of the instruction. They should never be fitted to any other Triumph model or to any other manufacturer's motorcycle. Fitting an accessory kit to a Triumph model not listed, or to any other manufacturer's motorcycle will affect the performance, stability and handling of the motorcycle. This may affect the rider's ability to control the motorcycle and could result in an accident causing severe injuries or death.

Warning

Always have Triumph approved parts, accessories and conversions fitted by a trained technician of an authorised Triumph dealer. The fitment of parts, accessories and conversions by a technician who is not of an authorised Triumph dealer may affect the handling, stability or other aspects of the motorcycle's operation which may result in loss of motorcycle control and an accident.

Warning

Throughout this operation, ensure that the motorcycle is stabilised and adequately supported to prevent risk of injury from the motorcycle falling.

Note:

- Once the tank pad has been fitted, it will become an integral part of the fuel tank and cannot be removed.

Note:

- Read the warning notices printed on the cleaning wipe packet.
- The surface to which the tank pad is affixed must be clean and dry to ensure that the adhesive has a sound base to adhere to. Use the cleaning wipe supplied for this purpose.

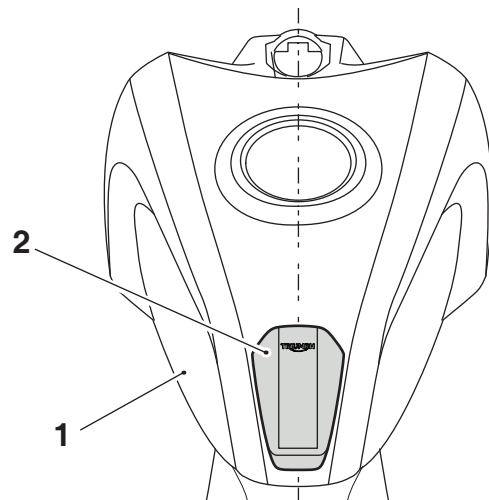
1. Using the cleaning wipe provided, clean the top surface of the fuel tank.

Caution

When fitting self-adhesive parts, care must be taken to ensure positioning is correct and accurate. Once the adhesive has been attached to the mounting surface, there is no satisfactory method of removal and repositioning if incorrectly aligned. Initial bonding is instant, full bonding is achieved after 72 hours.

Note:

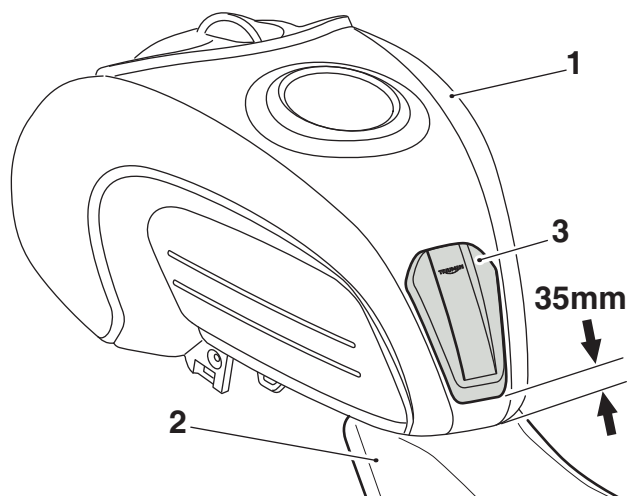
- When positioning the tank pad ensure it is located centrally on the fuel tank.



1. Fuel tank
2. Tank pad

2. Peel away the adhesive backing strips from the tank pad.

3. Carefully position the tank pad on the fuel tank with the lower edge of the tank pad 35 mm from the top edge of the seat, as shown. Apply firm and even hand pressure across the whole tank pad surface for one minute to ensure a good bond is achieved.



1. Fuel Tank
2. Seat
3. Tank pad



Warning

If, after fitment of this accessory kit, you have any doubt about the performance of any aspect of the motorcycle, contact an authorised Triumph dealer and do not ride the motorcycle until the authorised dealer has declared it fit for use. Riding a motorcycle when there is any doubt as to any aspect of the performance of the motorcycle may result in loss of control of the motorcycle, leading to an accident.



Warning

Only operate this Triumph motorcycle at high speed in closed-course, on-road competition or on closed-course racetracks. High-speed operation should only be attempted by riders who have been instructed in the techniques necessary for high-speed riding and are familiar with the motorcycle's characteristics in all conditions.

High-speed operation in any other circumstances is dangerous and will lead to loss of motorcycle control and an accident.



Warning

The motorcycle must not be operated above the legal road speed limit except in closed-course conditions.