



## Accessory Fitting Instructions

Thank you for choosing this Triumph genuine accessory kit. This accessory kit is the product of Triumph's use of proven engineering, exhaustive testing, and continuous striving for superior reliability, safety and performance.

Completely read all of these instructions before commencing the installation of the accessory kit in order to become thoroughly familiar with the kit's features and the installation process.

These instructions should be considered a permanent part of your accessory kit, and should remain with it even if your accessory equipped motorcycle is subsequently sold.

Frame Protectors Kit	
Kit Number	Models
A9788061	Speed Triple 1200 RS, Speed Triple 1200 RR

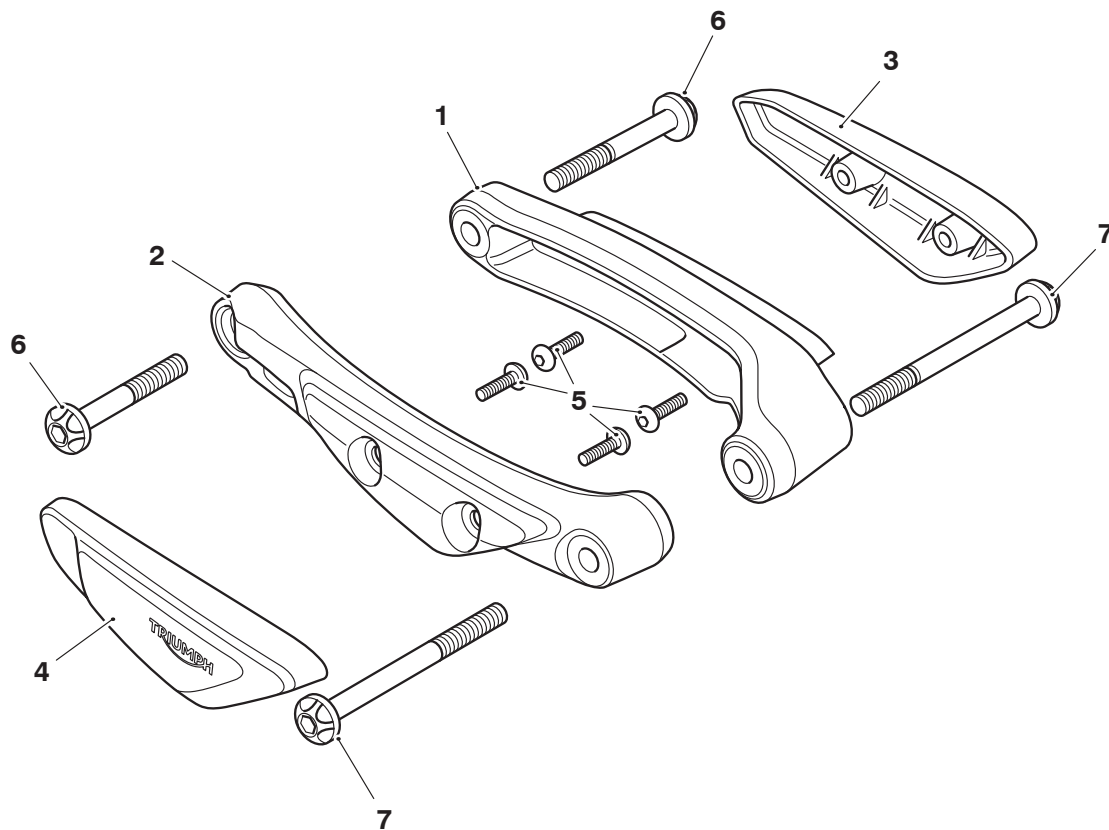
### **⚠ WARNING**

If the motorcycle is involved in an accident, collision or fall, it must be taken for inspection and repair. Inspections and repairs must be completed by a competent person with the specialist knowledge and technical understanding of motorcycles, such as an authorised Triumph dealer. Any accident can cause damage to the motorcycle that, if not correctly repaired, may cause a second accident which could result in serious injury or death.

### **NOTICE**

Frame protectors are intended to protect the motorcycle in the event of a static drop only.

**Parts supplied**



1. Support moulding, left hand	1 off	5. Fixing, M6 x 20 mm	4 off
2. Support moulding, right hand	1 off	6. Fixing, M10 x 70 mm	2 off
3. Cover moulding, left hand	1 off	7. Fixing, M10 x 110 mm	2 off
4. Cover moulding, right hand	1 off		

### **⚠ WARNING**

Fit only genuine Triumph accessories to those models approved by Triumph as listed in the associated Triumph fitting instructions.

The accessory kits covered in this instruction are designed for use on specific models of Triumph motorcycle. The accessory kits and the models applicable are listed at the start of the instruction. They should never be fitted to any other Triumph model or to any other manufacturer's motorcycle.

Fitting an accessory kit to a Triumph model not listed, or to any other manufacturer's motorcycle, will affect the performance, stability and handling of the motorcycle.

Failure to follow the advice above may lead to loss of motorcycle control which could result in serious injury or death.

### **⚠ WARNING**

Always have Triumph approved parts, accessories and conversions fitted by a competent person with the specialist knowledge and technical understanding of motorcycles, such as an authorised Triumph dealer.

The fitment of parts, accessories and conversions by a person without the specialist knowledge and technical understanding of motorcycles may affect the handling, stability or other aspects of the motorcycle's operation.

Failure to follow the advice above may lead to loss of motorcycle control which could result in serious injury or death.

### **⚠ WARNING**

A torque wrench of known accurate calibration must be used when fitting this accessory kit.

Failure to tighten any of the fasteners to the correct torque specification may affect motorcycle performance, handling and stability.

Failure to follow the advice above may lead to loss of motorcycle control which could result in serious injury or death.

### **⚠ WARNING**

Make sure the motorcycle is stabilised and adequately supported.

Do not support the motorcycle on any ancillary component, the exhaust system or any other non structural parts of the motorcycle frame.

A correctly supported motorcycle will help prevent it from falling.

An unstable motorcycle may fall resulting in motorcycle damage, serious injury or death.

### **NOTICE**

Triumph offers a broad range of approved genuine accessories for your motorcycle.

We cannot therefore cover all possible equipment variations in these instructions. For removal and installation of Triumph Genuine Accessories, always refer to the instructions supplied with the respective accessory kit.

To obtain additional copies of any Triumph accessory instructions, visit [www.triumphinstructions.com](http://www.triumphinstructions.com) or contact your authorised Triumph dealer.

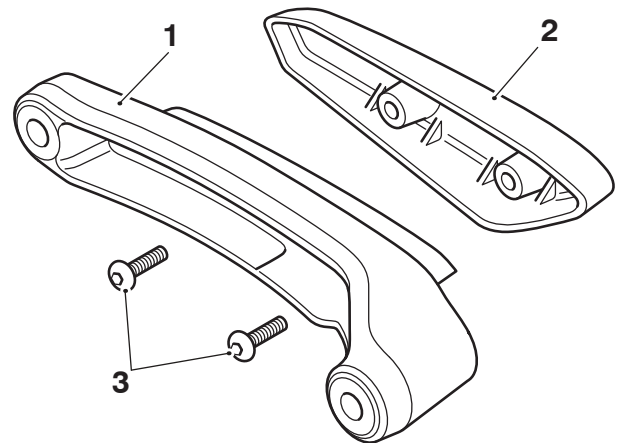
### **⚠ CAUTION**

If the engine has recently been running, the exhaust components may be hot to the touch.

To avoid skin damage, always allow the hot parts to cool before touching the exhaust system.

Contact with the hot components may cause minor to moderate injury to exposed skin.

1. Collect the left hand support moulding, left hand cover moulding and two M6 x 20 mm fixings from the kit.
2. Position the cover moulding onto the support moulding in the orientation shown. Fit the M6 x 20 mm fixings and tighten to 8 Nm.



1. Support moulding
2. Cover moulding
3. Fixings, M6 x 20 mm

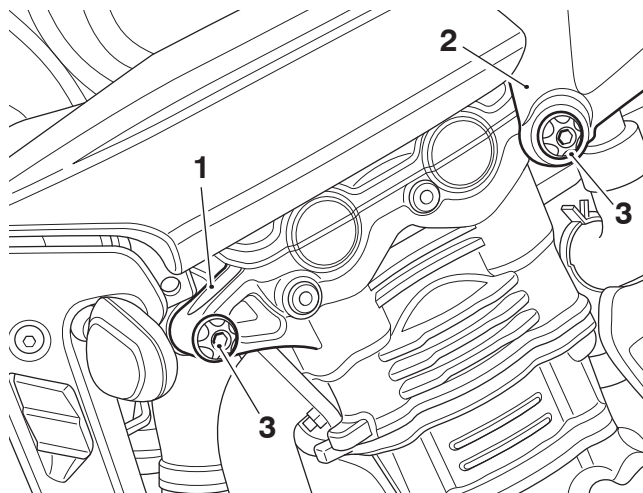
### **NOTICE**

Remove the engine mounting fixings in the sequence detailed in this document only.

Do not remove the left hand and right hand engine mounting fixings at the same time.

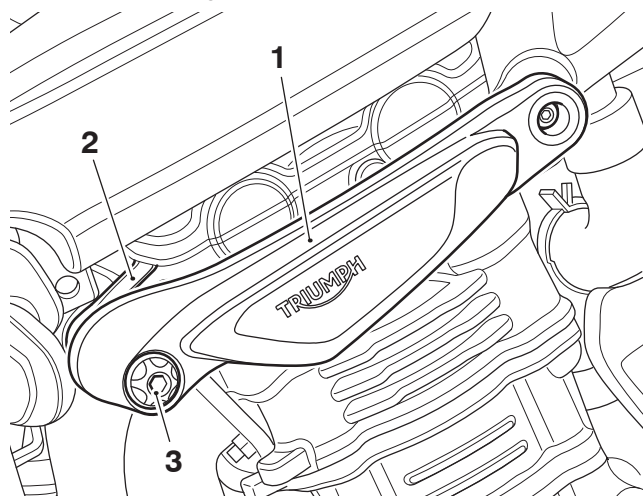
This could result in the engine moving within the frame and misalignment of the engine mounting positions, preventing fitment of the new fixings.

- Remove the front and rear engine mounting fixings on the left hand side of the motorcycle. Retain the fixings for reuse if the motorcycle is to be returned to its original condition.



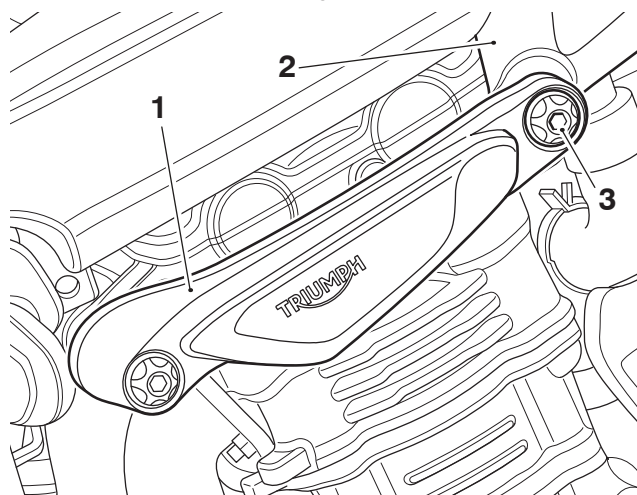
- Front engine mounting
- Rear engine mounting
- Fixings

- Fit the left hand frame protector assembly to the front engine mounting point, in the orientation shown and loosely fit an M10 x 110 mm fixing from the kit.



- Frame protector assembly, left hand
- Front engine mounting
- Fixing, M10 x 110 mm

- Align the frame protector assembly with the rear engine mounting position and loosely fit an M10 x 70 mm fixing from the kit.



- Frame protector assembly, left hand
- Rear engine mounting
- Fixing, M10 x 70 mm

- Tighten the front first, then the rear frame protector fixings to 60 Nm.
- Repeat steps 1 to 6 for the right hand side of the motorcycle.

#### **⚠ WARNING**

After fitting the accessory kit the motorcycle will exhibit new handling characteristics.

Operate the motorcycle in a safe area free from traffic to gain familiarity with any new characteristics.

Operation of the motorcycle when not familiar with any new handling characteristics may lead to loss of motorcycle control which could result in serious injury or death.

#### **⚠ WARNING**

If, after fitting this accessory kit, you have any doubt about the performance of any aspect of the motorcycle, contact a competent person with the specialist knowledge and technical understanding of motorcycles, such as an authorised Triumph dealer.

Riding a motorcycle when there is any doubt as to any aspect of the performance of the motorcycle may lead to loss of motorcycle control which could result in serious injury or death.

---

**⚠ WARNING**

Never ride an accessory-equipped motorcycle at speeds above 80 mph (130 km/h).

Remember that the 80 mph (130 km/h) limit will be reduced by the fitting of non-approved accessories, incorrect loading, worn tyres, overall motorcycle condition and poor road or weather conditions.

The presence of accessories will cause changes in the stability and handling of the motorcycle. Failure to allow for changes in motorcycle stability may lead to loss of motorcycle control which could result in serious injury or death.

**⚠ WARNING**

High-speed operation should only be attempted by riders who have been instructed in the techniques necessary for high-speed riding and are familiar with the motorcycle's characteristics in all conditions.

Only operate this Triumph motorcycle at high speed in closed-course, on-road competition or on closed-course racetracks.

High-speed operation in any other circumstances is dangerous and may lead to loss of motorcycle control which could result in serious injury or death.

***NOTICE***

The motorcycle must not be operated above the legal road speed limit except in closed-course conditions.