



Accessory Fitting Instructions

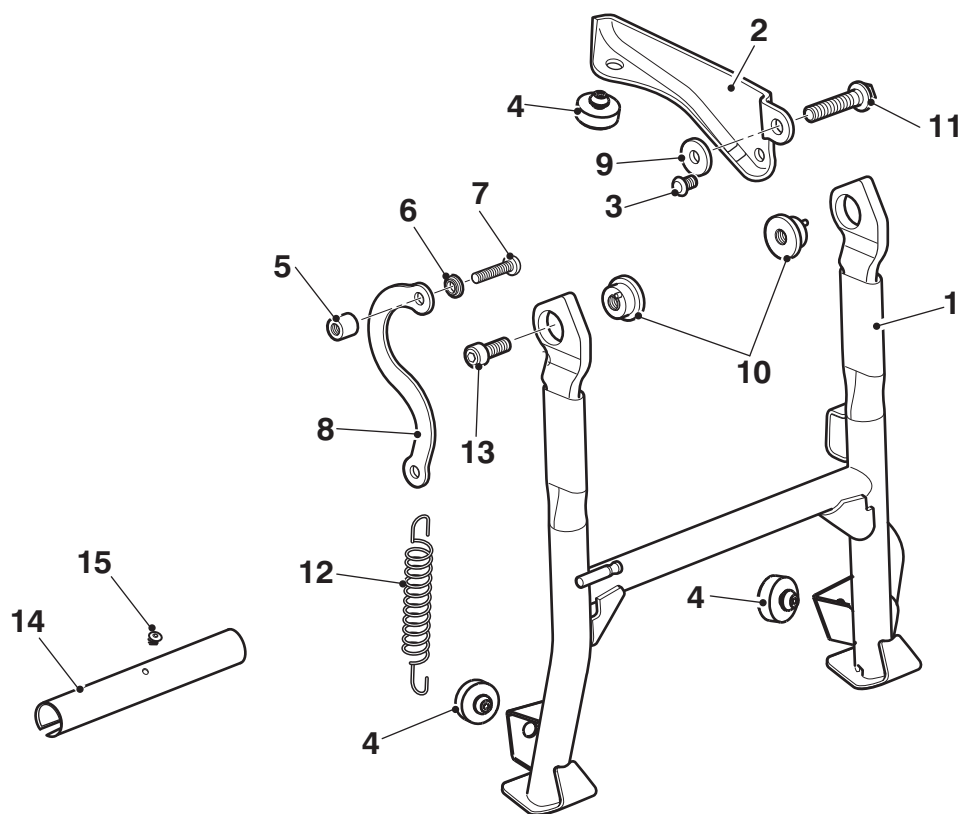
Centre Stand Kit	
Kit number	Models Affected
A9778004	Tiger 800, Tiger XR, Tiger 800 XR and Tiger 800 XRx
A9778005	Tiger 800XC and Tiger 800 XCx
A9778034	Tiger 800XC and Tiger XC
A9778036	Tiger 800 and Tiger XR
A9778062	Tiger 800, Tiger 800 XR, Tiger 800 XRx, Tiger XR
A9778063	Tiger 800XC, Tiger 800 XCx, Tiger XC

Thank you for choosing this Triumph genuine accessory kit. This accessory kit is the product of Triumph's use of proven engineering, exhaustive testing, and continuous striving for superior reliability, safety and performance.

Completely read all of these instructions before commencing the installation of the accessory kit in order to become thoroughly familiar with the kit's features and the installation process.

These instructions should be considered a permanent part of your accessory kit, and should remain with it even if your accessory equipped motorcycle is subsequently sold.

Parts supplied



1.	Centre stand, short or long as applicable	1 off	9.	Spacer	1 off
2.	Bracket, upstop	1 off	10.	Flanged sleeve, M10	2 off
3.	Screw, M8 x 14 mm	1 off	11.	Bolt, M10 x 45 mm	1 off
4.	Push-in rubber stop	3 off	12.	Spring	1 off
5.	Spacer tube	1 off	13.	Screw, M10 x 23 mm	1 off
6.	Compression limiter	1 off	14.	Stone guard (if supplied)	1 off
7.	Screw, M6 x 28 mm	1 off	15.	Fir tree clip (if supplied)	1 off
8.	S-bracket	1 off			

Warning

The accessory kits covered in this instruction are designed for use on specific models of Triumph motorcycle. The accessory kits and the models applicable are listed at the start of the instruction. They should not be fitted to any other Triumph model or to any other manufacturer's motorcycle. Fitting an accessory kit to a Triumph model not listed, or to any other manufacturer's motorcycle will affect the performance, stability and handling of the motorcycle. This may result in loss of motorcycle control and an accident.

Warning

Always have Triumph approved parts, accessories and conversions fitted by a trained technician of an authorised Triumph dealer. The fitment of parts, accessories and conversions by a technician who is not of an authorised Triumph dealer may affect the handling, stability or other aspects of the motorcycle's operation which may result in loss of motorcycle control and an accident.

Warning

Throughout this operation, ensure that the motorcycle is stabilised and adequately supported to prevent risk of injury from the motorcycle falling.

Warning

A torque wrench of known accurate calibration must be used when fitting this accessory kit. Failure to tighten any of the fasteners to the correct torque specification may affect motorcycle performance, handling and stability. This may result in loss of motorcycle control and an accident.

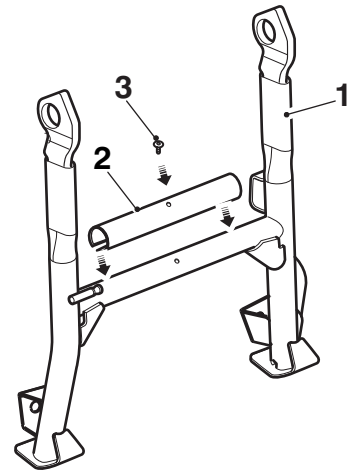
Note:

- Triumph offers a broad range of approved genuine accessories for your motorcycle. We cannot therefore cover all possible equipment variations in these instructions. For removal and installation of Triumph Genuine Accessories, always refer to the instructions supplied with the respective accessory kit. To obtain additional copies of any Triumph accessory instructions, visit www.triumphinstructions.com or contact your authorised Triumph dealer.

- Position the motorcycle on a paddock stand.

Stone Guard (if supplied)

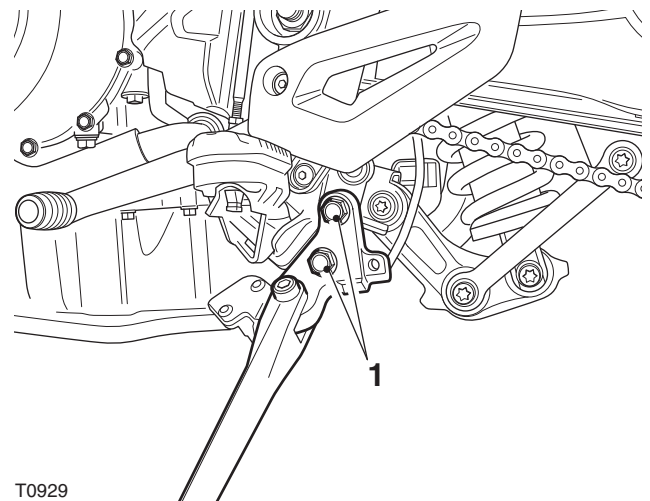
- Position the stone guard to the centre stand, align the holes and secure with the fir tree clip.



- Centre stand
- Stone guard
- Fir tree clip

All Models

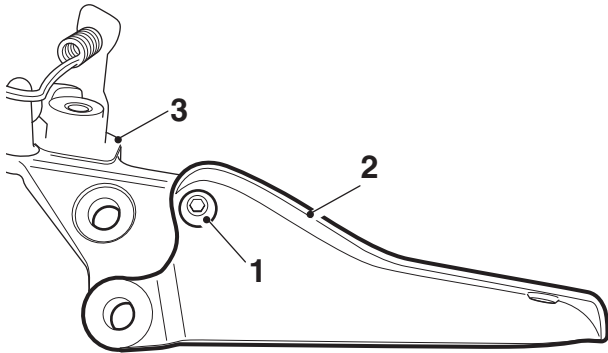
- Remove the M10 x 35 mm side stand bracket fixing bolts. Retain the lower bolt and lock nut for reuse. Retain the upper bolt and lock nut if the motorcycle is to be returned to its original condition.



- Side stand fixing bolts

- Remove the side stand assembly from the motorcycle.

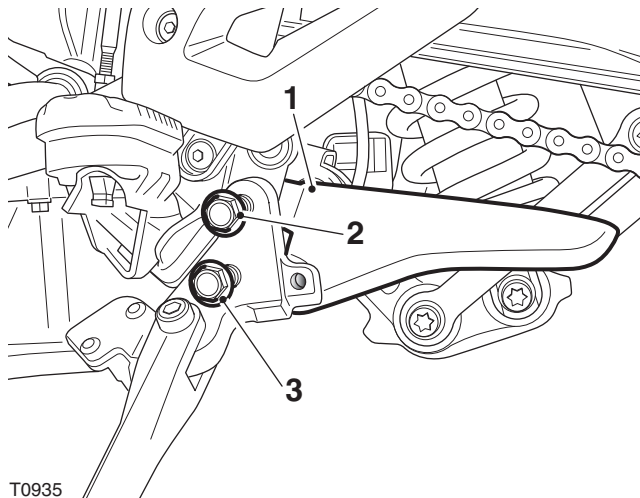
- Align the upstop bracket to the side stand bracket and loosely secure with the M8 x 14 mm screw as shown below.



T0934

- Screw, M8 x 14 mm
- Upstop bracket
- Side stand assembly

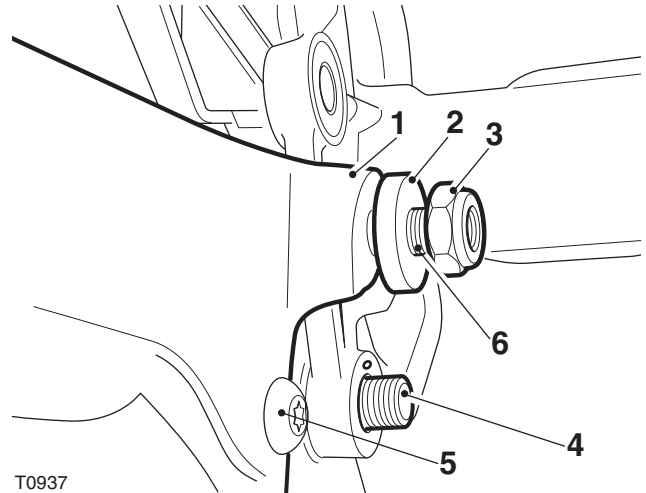
- Align the side stand to the mounting brackets on the frame, loosely support the side stand and upstop brackets using the M10 x 45 mm bolt from the kit and the M10 x 35 mm side stand fixing bolt removed in step 2.



T0935

- Upstop bracket
- Bolt, M10 x 45 mm
- Bolt, M10 x 35 mm

- Fit the original M10 lock nut to the M10 x 45 mm bolt and spacer from the kit.

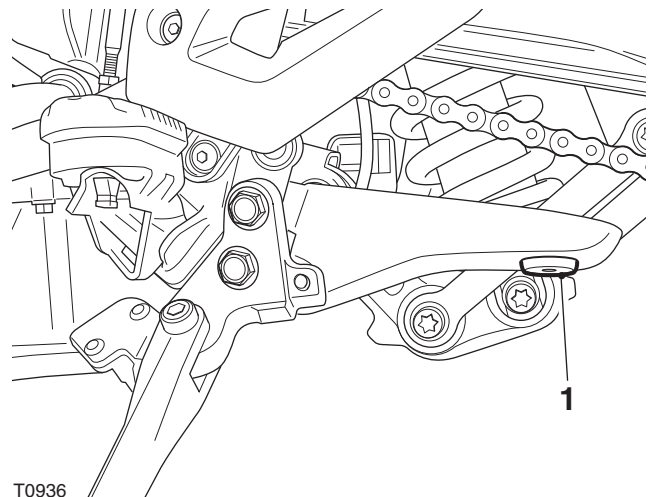


T0937

- Upstop bracket
- Spacer
- Lock nut
- Bolt, M10 x 35 mm
- Screw, M8 x 14 mm
- Bolt, M10 x 45 mm

Note:

- Lock nuts can be reused, providing resistance can be felt when the locking portion passes over the thread of the bolt or stud.
 - Always use the correct replacement lock nut as recommended in the Triumph catalogue.
- Fit one of the push-in rubber stops to the upstop bracket.



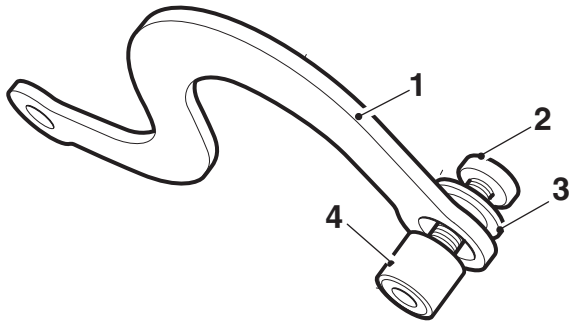
T0936

- Push-in rubber stop

- Fit the compression limiter, spacer tube and M6 x 28 mm screw through the hole in the S-bracket as shown below.

Note:

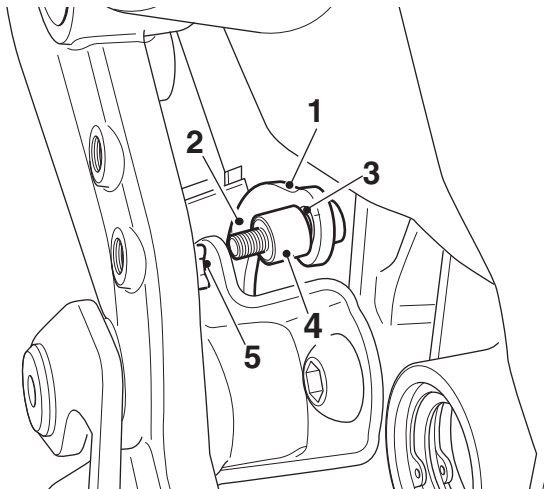
- Ensure the screw is fitted to the curved end of the bracket.



T0930

1. S-bracket
2. Screw, M6 x 28 mm
3. Compression limiter
4. Spacer tube

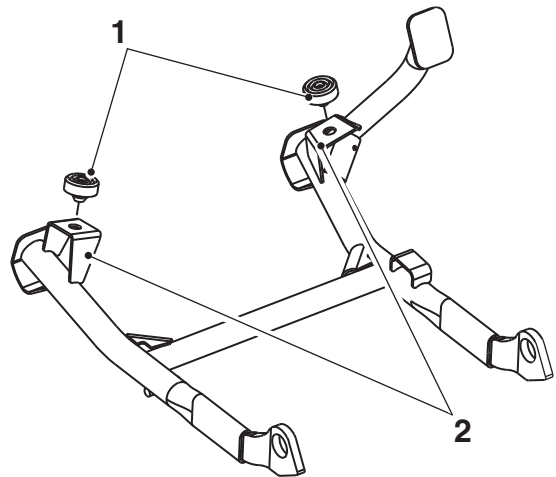
10. Fit the S-bracket assembly to the welded nut on the right hand side of the frame, as shown below. Tighten the M6 x 28 mm screw to **9 Nm**.



T0931

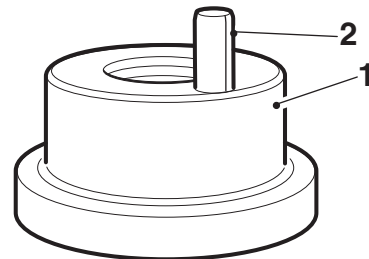
1. S-bracket
2. Screw, M6 x 28 mm
3. Compression limiter
4. Spacer tube
5. Welded nut

11. Fit the remaining two push-in rubber stops to the brackets on the centre stand.



1. Push-in rubber stop
2. Brackets

12. Smear the contact surfaces of the left and right hand flanged sleeves with grease to NLGI 2 specification.



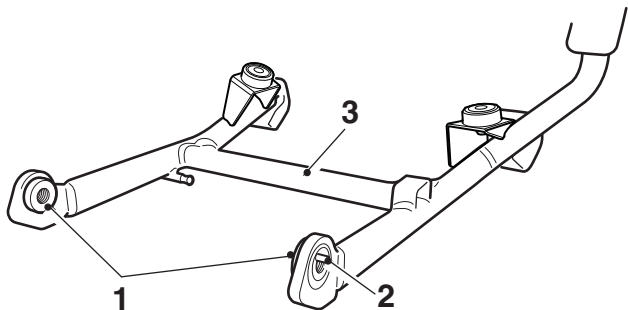
T0942

1. Flanged sleeve
2. Anti-rotation tag

Note:

- Do not allow the grease to make contact with the threaded part of the flanged sleeve.

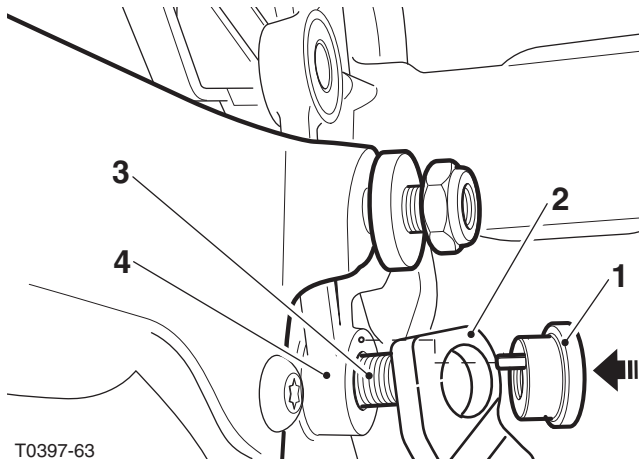
- Install both flanged sleeves into the centre stand with the anti-rotation tag facing outwards making sure they rotate freely as shown below.



T0938

- Flanged sleeve
- Anti-rotation tag
- Centre stand

- Align the centre stand to the mounting brackets on both sides of the frame as shown below.

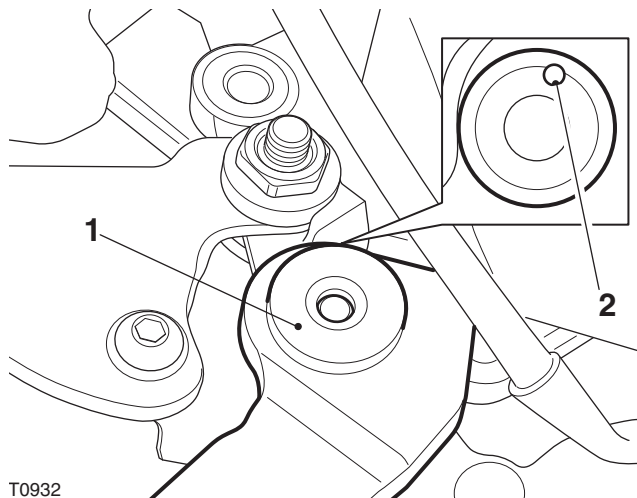


T0397-63

- Flanged sleeve
- Centre stand
- Bolt, M10 x 35 mm
- Frame (left hand shown)

Left Hand Side

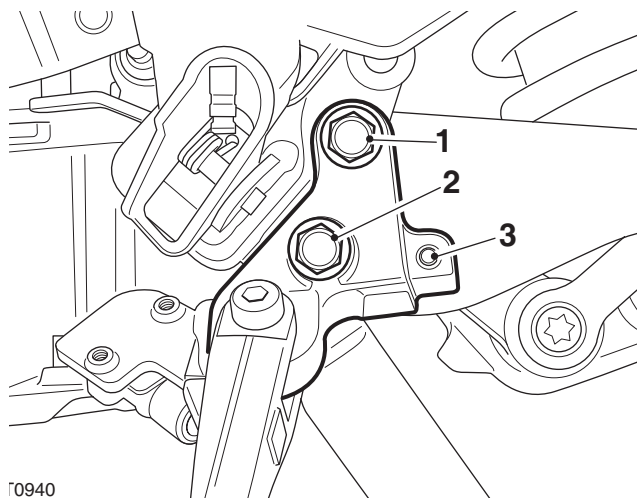
- Fit the M10 x 35 mm bolt to the flanged sleeve making sure the anti-rotation tag is aligned with the locating hole in the frame.



T0932

- Flanged sleeve (left hand side)
- Locating hole

- Tighten the M10 x 45 mm bolt to **45 Nm**.
- Tighten the M10 x 35 mm bolt to **45 Nm**.
- Tighten the M8 x 14 mm screw to **18 Nm**.

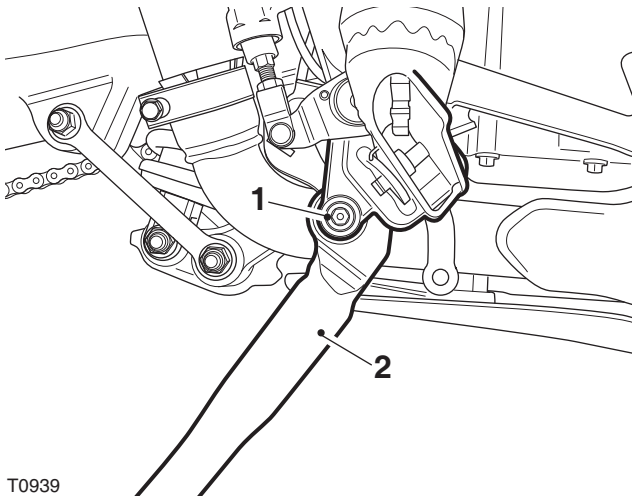


T0940

- Bolt, M10 x 45 mm
- Bolt, M10 x 35 mm
- Screw, M8 x 14 mm

Right Hand Side

19. Fit the M10 x 23 mm screw from the kit to the flanged sleeve making sure the anti-rotation tag is aligned with the locating hole in the frame and tighten to **45 Nm**.



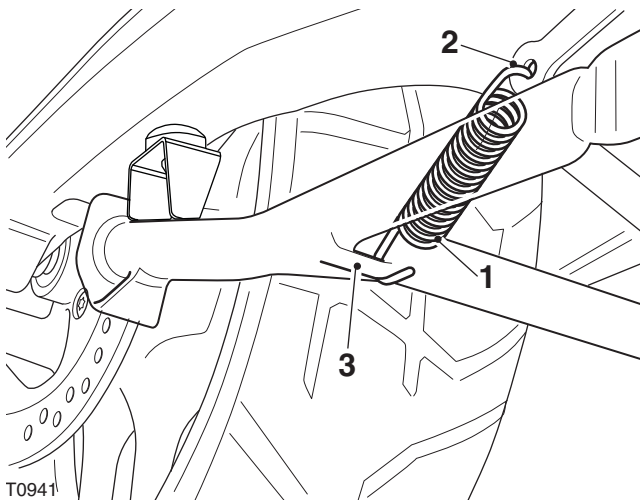
T0939

1. Screw, M10 x 23 mm
2. Centre stand

Warning

Wear hand, eye and face protection when fitting the spring. Take great care to minimise the risk of personal injury and loss of components.

20. Hook one end of the spring from the kit into the hole in the S-bracket and the other end onto the lug on the centre stand making sure the spring orientation is the same as the diagram below.



T0941

1. Spring
2. S-bracket hole
3. Centre stand lug

Centre Stand Maintenance

1. Every year or 6,000 miles (10,000 km) (whichever is sooner):
 - Detach the spring and remove the centre stand bolts
 - Lubricate the left and right flanged sleeves with grease to NLGI 2 specification
 - Install the bolts
 - Tighten the bolts to **45 Nm**
 - Refit the spring.

Warning

After fitting the accessory kit the motorcycle will exhibit new handling characteristics. Operate the motorcycle in a safe area free from traffic to gain familiarity with any new handling characteristics. Operation of the motorcycle when not familiar with any new handling characteristics may result in loss of motorcycle control and an accident.

Warning

Never ride an accessory-equipped motorcycle (including those fitted with Triumph approved windscreens and luggage systems) at speeds above 80 mph (130 km/h).

The presence of accessories such as windscreens and luggage systems will cause changes in the stability and handling of the motorcycle. Failure to allow for changes in motorcycle stability may lead to loss of control or an accident.

Remember that the 80 mph (130 km/h) limit will be reduced by the fitting of non-approved accessories, incorrect loading, worn tyres, overall motorcycle condition and poor road or weather conditions.

Warning

If, after fitment of this accessory kit, you have any doubt about the performance of any aspect of the motorcycle, contact an authorised Triumph dealer and do not ride the motorcycle until the authorised dealer has declared it fit for use. Riding a motorcycle when there is any doubt as to any aspect of the performance of the motorcycle may result in loss of control of the motorcycle leading to an accident.



Warning

This motorcycle must not be operated above the legal road speed limit except in authorised closed course conditions.



Warning

Only operate this Triumph motorcycle at high speed in closed-course on-road competition or on closed-course racetracks. High-speed operation should only be attempted by riders who have been instructed in the techniques necessary for high speed riding and are familiar with the motorcycle's characteristics in all conditions.

High-speed operation in any other circumstances is dangerous and will lead to loss of motorcycle control and an accident.