

Fitting Instructions:

America and Speedmaster

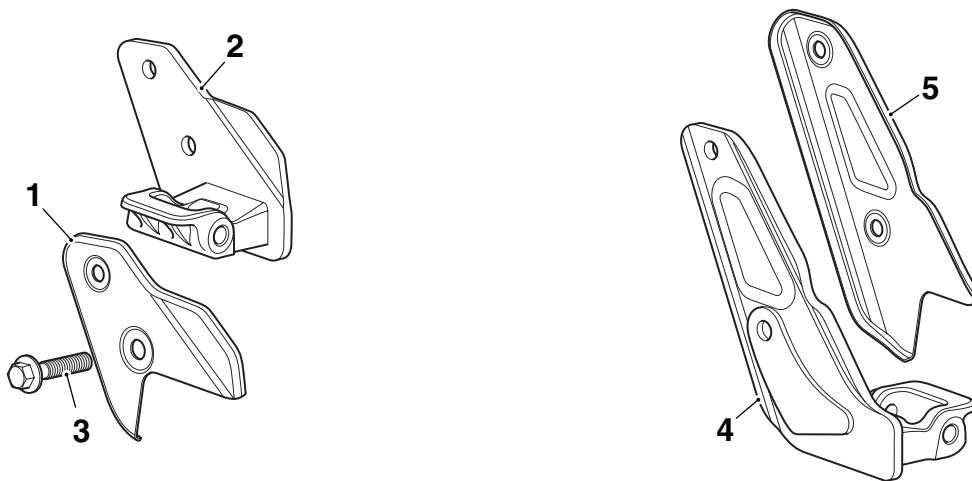
A9778001 with A9778007, A9758157 or A9758158

Thank you for choosing this Triumph genuine accessory kit. This accessory kit is the product of Triumph's use of proven engineering, exhaustive testing, and continuous striving for superior reliability, safety and performance.

Completely read all of these instructions before commencing the installation of the accessory kit in order to become thoroughly familiar with the kit's features and the installation process.

These instructions should be considered a permanent part of your accessory kit, and should remain with it even if your accessory-equipped motorcycle is subsequently sold.

A9778001

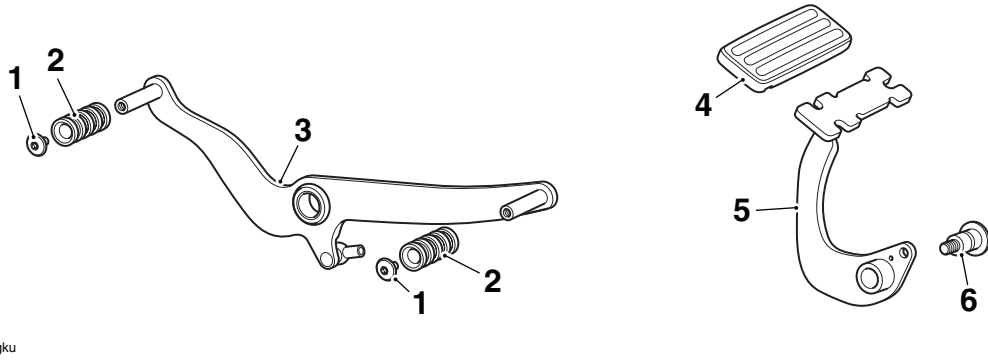


cgkx

Parts Supplied A9778001:

1.	Cover, footboard bracket, left hand	1 off	4.	Footboard bracket, right hand	1 off
2.	Footboard bracket, left hand	1 off	5.	Cover, footboard bracket, right hand	1 off
3.	Bolt, M10 x 45 mm	1 off			

A9778007 (Optional)

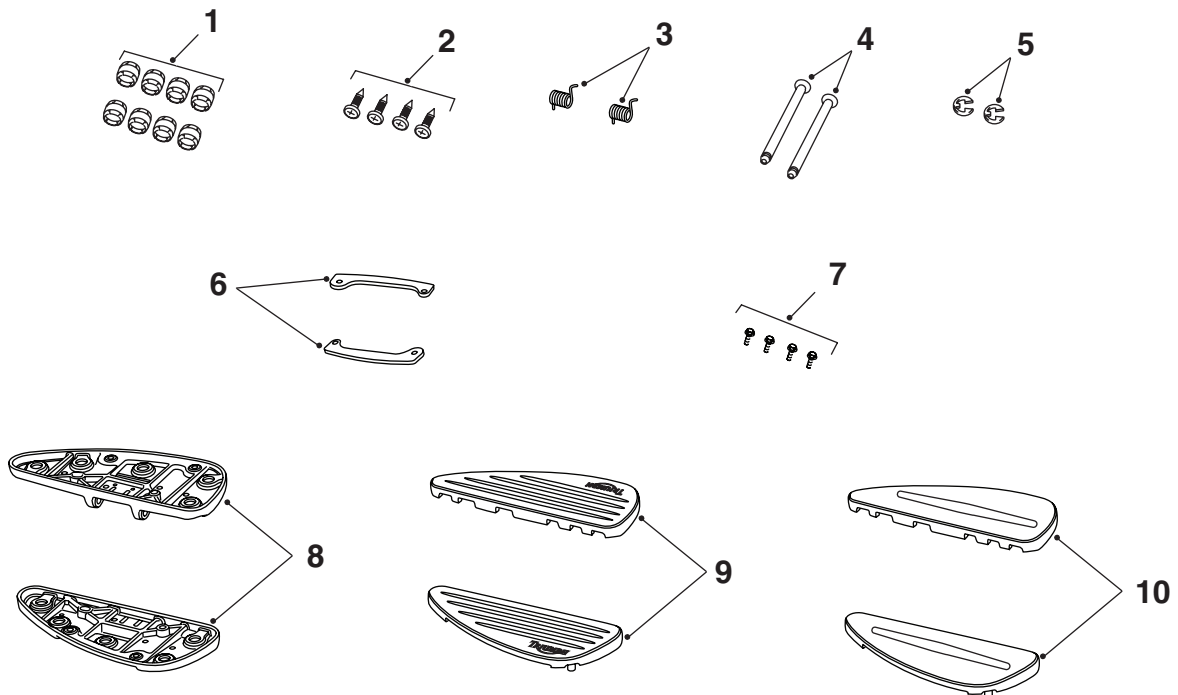


cgku

Parts Supplied A9778007:

1. Screw, M6 x 12 mm	2 off	4. Rubber finisher, brake pedal	1 off
2. Rubber finisher, gear lever	2 off	5. Brake pedal	1 off
3. Gearchange lever	1 off	6. Shouldered bolt	1 off

A9758157 and A9758158



Parts Supplied A9758157 and A9758158:

1. Plastic bush	8 off	6. Bank angle indicator	2 off
2. Rubber foot	4 off	7. Screw, M5 x 16 mm	4 off
3. Spring	2 off	8. Footboard	2 off
4. Pivot pin	2 off	9. Footboard rubber (A9758157)	2 off
5. E-clip	2 off	10. Footboard rubber (A9758158)	2 off

Warning

This accessory kit is designed for use on Triumph America and Speedmaster motorcycles only and should not be fitted to any other manufacturer's motorcycle. Fitting this accessory kit to any other manufacturer's motorcycle will affect the performance, stability and handling of the motorcycle. This may affect the rider's ability to control the motorcycle and could cause an accident.

Warning

Always have Triumph approved parts, accessories and conversions fitted by a trained technician of an authorised Triumph dealer. The fitment of parts, accessories and conversions by a technician who is not of an authorised Triumph dealer may affect the handling, stability or other aspects of the motorcycle's operation which may result in loss of motorcycle control and an accident.

Warning

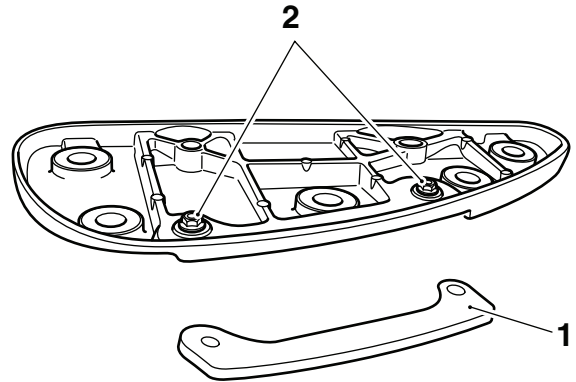
Throughout this operation, ensure that the motorcycle is stabilised and adequately supported to prevent risk of injury from the motorcycle falling.

Warning

A torque wrench of known accurate calibration must be used when fitting this accessory kit. Failure to tighten any of the fasteners to the correct torque specification may result in loss of motorcycle control and an accident.

Assemble the Footboards - A9758157 or A9758158

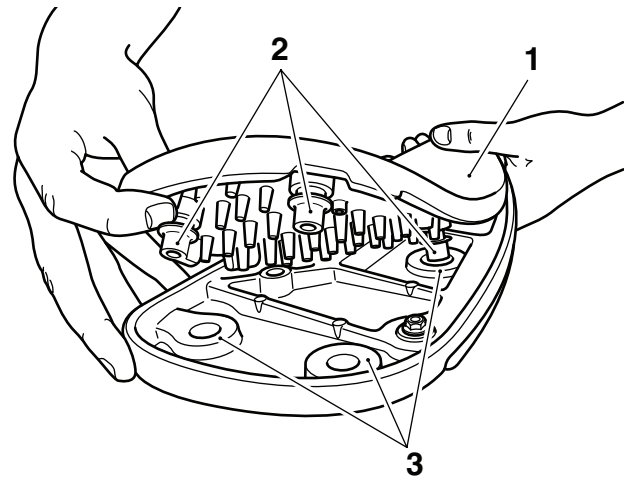
1. Fit the bank angle indicator to the footboard. Secure with two of the screws from the kit and tighten to **7 Nm**.



cfv_2

1. Bank angle indicator
2. Screws

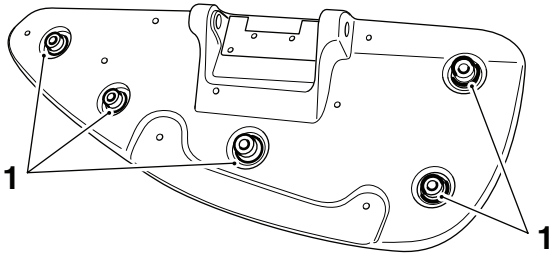
2. Align the rubber fixing lugs to the holes in the footboard.



cfxu

1. Footboard rubber
2. Lugs (3 of 5 shown)
3. Holes (3 of 5 shown)

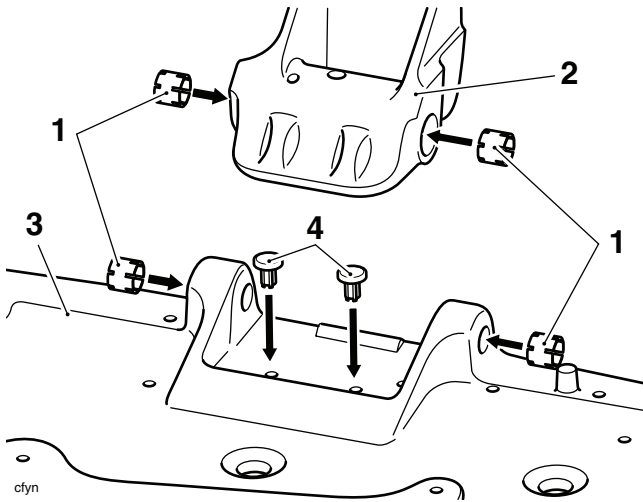
- Pull the lugs from underneath the plate until the flange on the lugs are fully pulled through. Care should be taken not to damage the rubber during this operation.



cfxt

1. Lugs

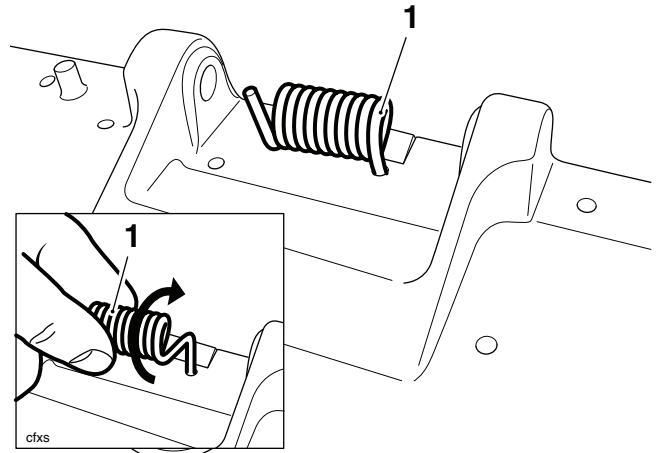
- Fit a plastic bush to each of the pivot pin holes in the footboard clevis and the footboard.
- Fit the rubber feet to the footboard, two per footboard.



cfyn

- Plastic bush
- Footboard clevis
- Footboard
- Rubber feet

- Fit the bent end of the spring into the footboard as shown in the illustration below. Left hand side shown.



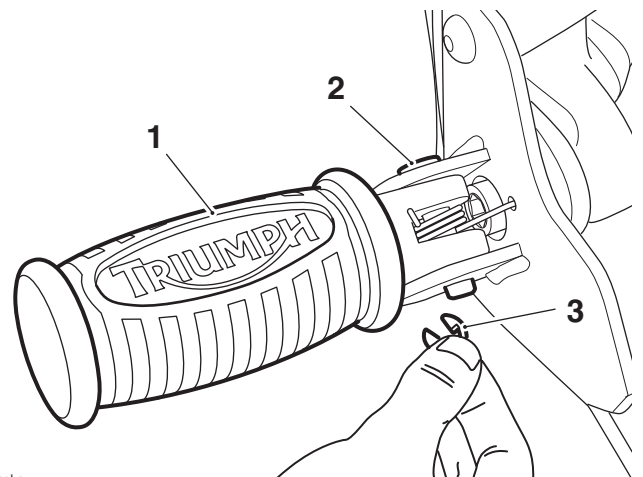
1. Spring

Fitting the Footboard Bracket and Footboard - A9778001

- Remove the seat, as described in the service manual.
- Disconnect the battery, negative (black) lead first.

Left Hand Side

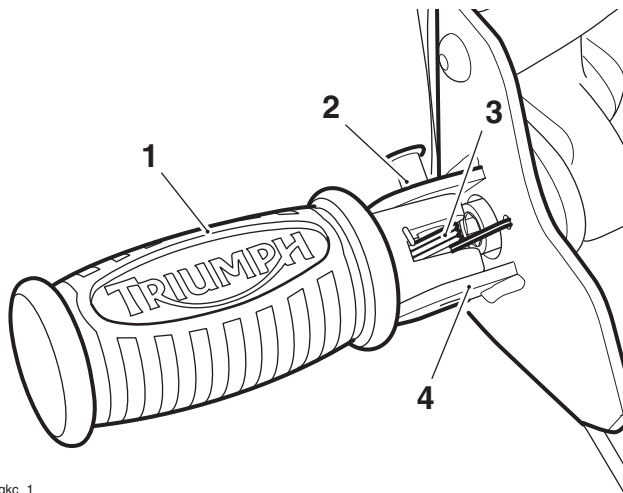
- Remove the E-clip from the left hand footpeg retaining pin. Retain the E-clip if the motorcycle is to be returned to its original condition.



cgkc

- Footpeg
- Retaining pin
- E-clip

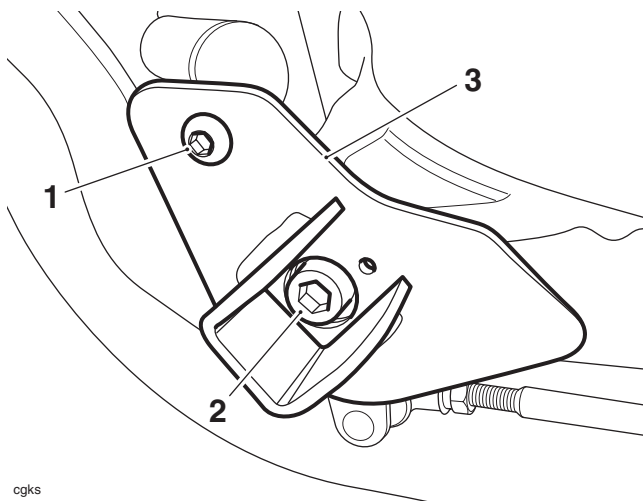
- Remove the footpeg retaining pin and detach the footpeg and spring from the mounting bracket. Retain the footpeg, spring and pin if the motorcycle is to be returned to its original condition.



cgkc_1

- Footpeg
- Retaining pin
- Spring
- Mounting bracket

- Release the M8 screw, M10 bolt and remove the left hand control plate. Retain the M8 screw for re-use. Retain the control plate and M10 bolt if the motorcycle is to be returned to its original condition.



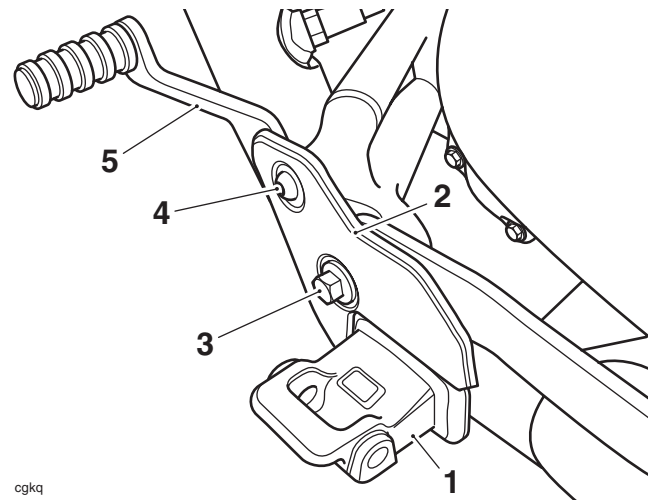
cgks

- M8 screw
- M10 bolt
- Control plate

Note:

- If fitting the gearchange pedal from kit A9778007, see Fitting the Gearchange Pedal - A9778007 on page 7, then continue from step 6.

- Align the left hand footboard bracket and its cover to the motorcycle. Refit the original M8 screw and the M10 bolt from the kit. Tighten the M8 screw to **15 Nm** and the M10 to **40 Nm**.



cgkq

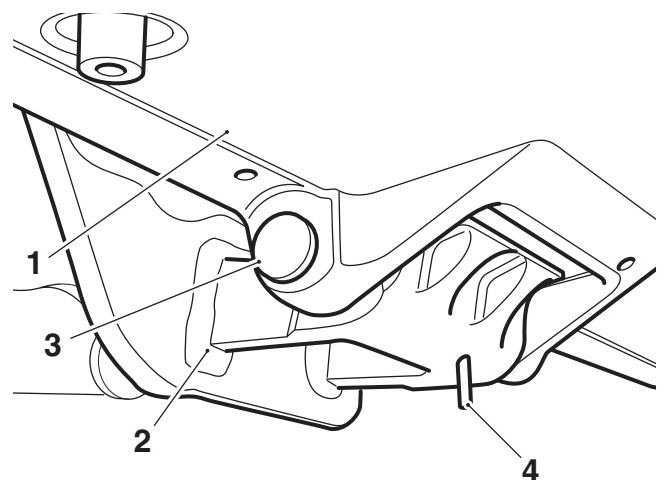
- Footboard bracket
- Cover
- M10 bolt
- M8 screw
- Gearchange lever, from kit A9778007 shown

- Fit the footboard and spring assembly from kit A9758157 or A978158 to the footboard bracket. Ensure that the straight end of the spring fits into its hole in the footboard bracket.

Note:

- It may be necessary to use a suitable screwdriver to align the spring with the holes in the footboard bracket when fitting the pivot pin.

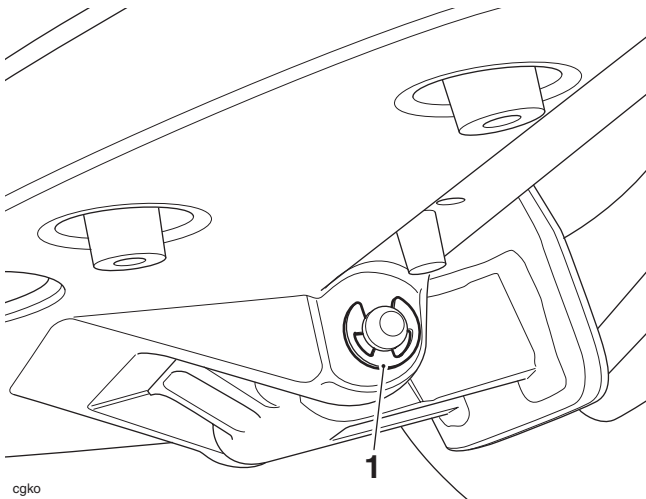
- Fit the pivot pin from the front end of the footboard.



cgkp

- Footboard
- Left hand footboard bracket
- Pivot pin
- Straight end of the spring

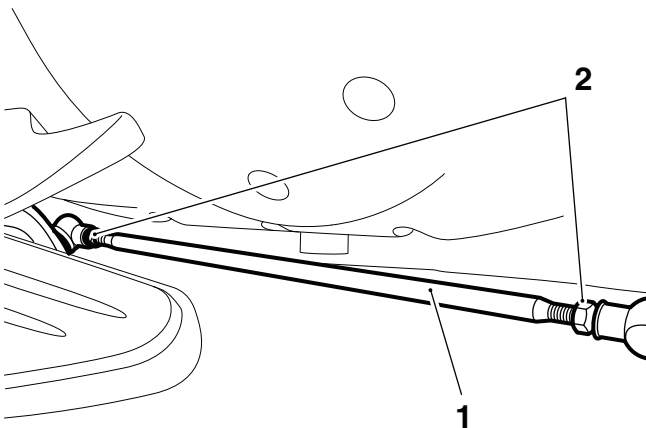
9. Secure the pivot pin with the E-clip from the kit.



cgko

1. E-clip

10. Adjust the length of the gear selector rod to set the rider's preferred angle of the gear change lever. Tighten the nuts to **6 Nm**.



cfxo_1

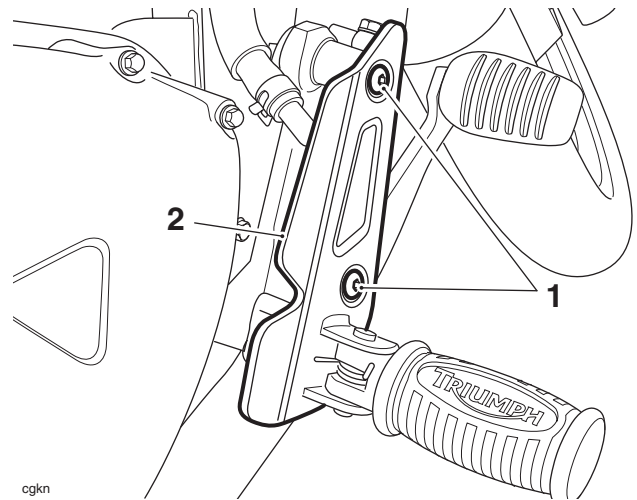
1. Gear selector rod

2. Nut

11. Operate the gear change lever through the gear range to ensure clearance between the gear change lever and the footboard. If necessary, adjust the gear selector rod to obtain the clearance.

Right Hand Side

12. Release the 2 screws and remove the right hand control plate and footpeg assembly. Retain the screws for re-use. Retain the control plate and footpeg assembly if the motorcycle is to be returned to its original condition.



cgkn

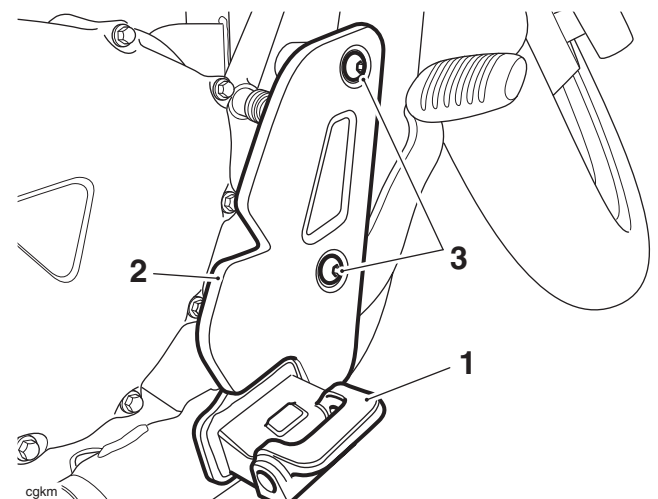
1. Screws

2. Control plate

Note:

- If fitting the rear brake pedal from kit **A9778007**, see **Fitting the Rear Brake Pedal - A9778007** on page **8**, then continue from step **13**.

13. Align the right hand footboard bracket and its cover to the motorcycle. Refit the original screws and tighten to **15 Nm**.



cgkm

1. Right hand footboard bracket

2. Cover

3. Screws

14. Fit the right hand footboard and spring assembly, as described for the left hand side.
15. Reconnect the battery, positive (red) lead first.

- Refit the rider's seat, as described in the service manual.



Warning

It is dangerous to operate the motorcycle with defective brakes; you must have your authorised Triumph dealer take remedial action before you attempt to ride the motorcycle again. Failure to take remedial action may reduce braking efficiency leading to loss of motorcycle control and an accident.

- Check the operation of the rear brake. Rectify as necessary.

Fitting the Gearchange Pedal - A9778007 (Optional)



Caution

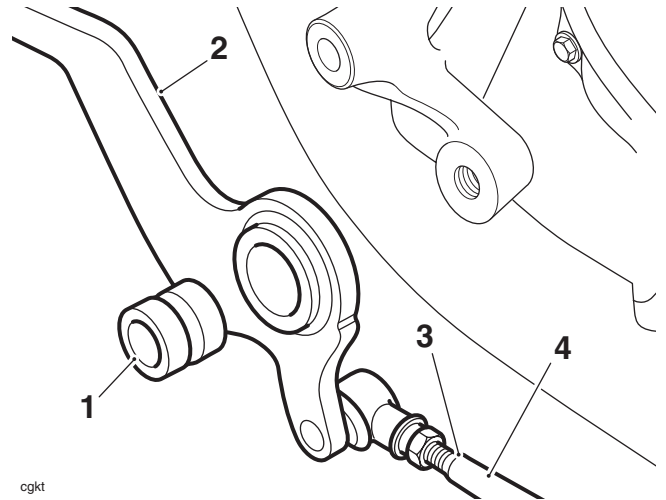
It may be difficult to remove the gear selector rod from the ball joints. Do not use excessive force. If necessary, apply a releasing oil to the ball joint threads to aid removal.

Note:

- The front of the gear selector rod has a right hand thread. This is identified by a machined ring on the gear selector rod.
- Note the position of the front locknut on the gear selector rod for installation.

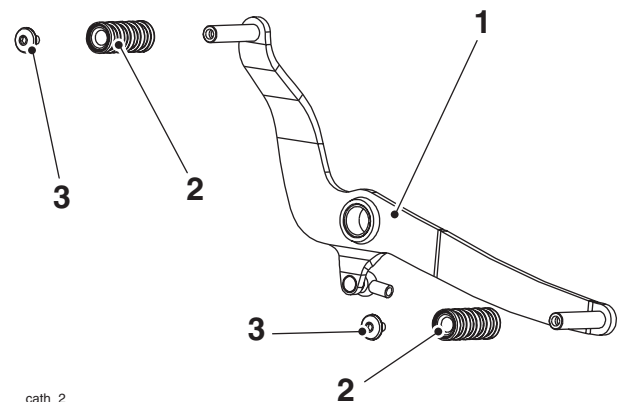
- Loosen the front locknut on the gear selector rod.
- Remove the boss from the gearchange pedal and retain it for re-use.

- Unscrew and remove the gearchange lever from the selector rod. Retain the gearchange pedal if the motorcycle is to be returned to its original condition.



cgkt

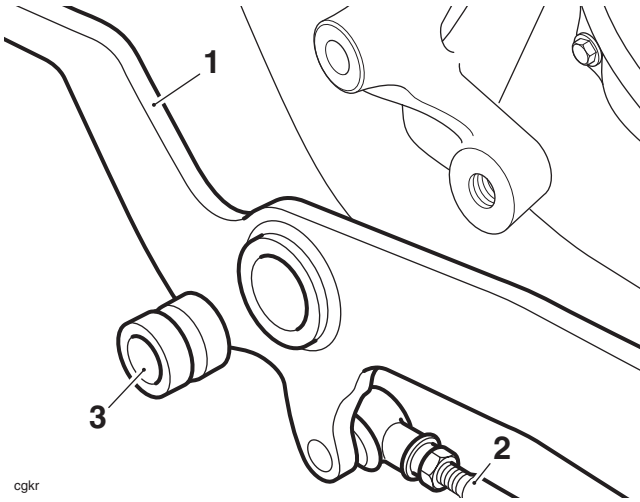
1. Boss
 2. Gearchange lever
 3. Machined ring, right hand thread identification
 4. Gear selector rod
- Fit the rubber finishers to the gearchange lever from the kit and tighten the screws to **7 Nm**.



cath_2

1. Gearchange lever
 2. Rubber finishers
 3. Screws
- With the front locknut positioned as noted for removal, fit the gearchange lever from the kit to the gearchange rod up to the locknut.

- Lubricate the original boss with grease to NGLI 2 specification and fit it to the gearchange lever.



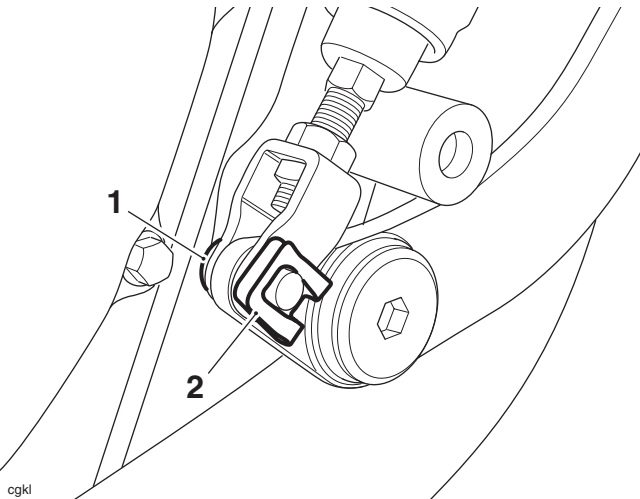
cgkr

- 1. Gearchange lever**
- 2. Gear selector rod**
- 3. Boss**

- Fit the footboard bracket and the footboard, see page 5, step 6.

Fitting the Rear Brake Pedal from Kit - A9778007 (Optional)

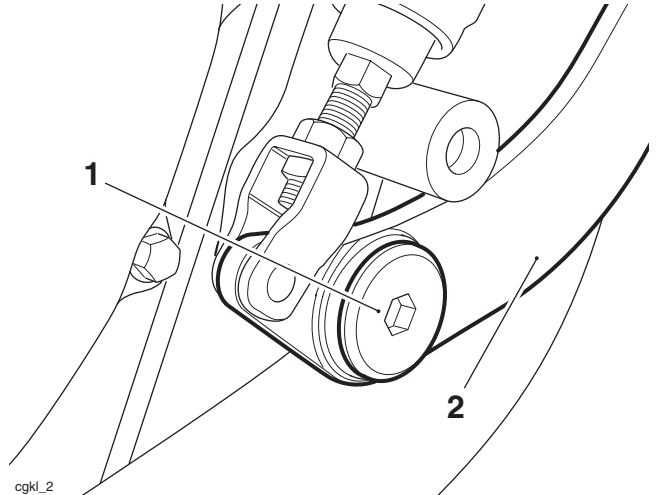
- Remove the clip from the brake pedal clevis pin. Remove the clevis pin and retain the clevis pin and clip for re-use.



cgkl

- 1. Clevis pin**
- 2. Clip**

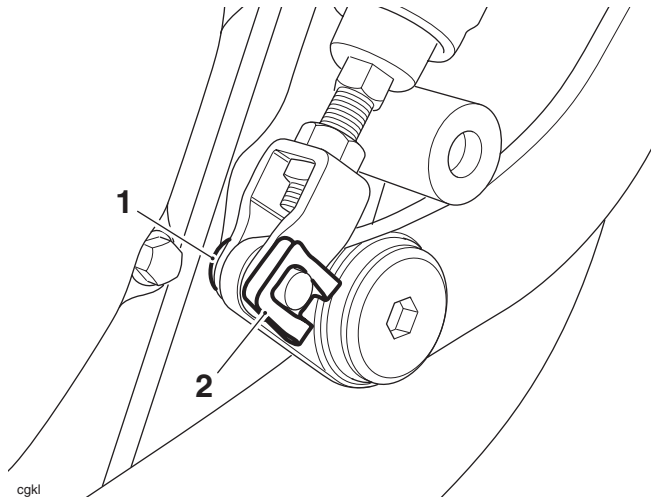
- Noting the position of the brake pedal return spring, release the bolt and remove the rear brake pedal. Collect the brake pedal return spring and discard the bolt. Retain the rear brake pedal if the motorcycle is to be returned to its original condition.



cgkl_2

- 1. Bolt**
- 2. Brake pedal**

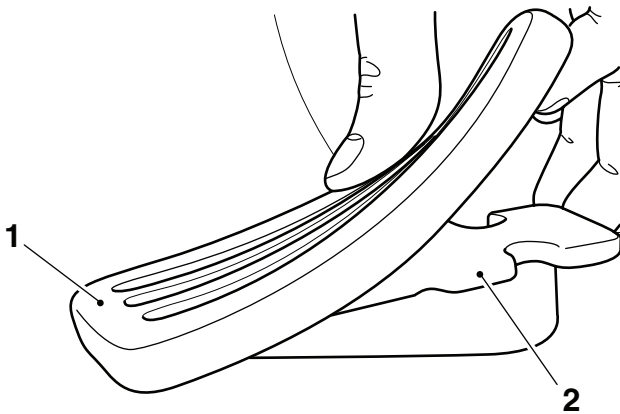
- Position the brake pedal return spring to the brake pedal from the kit as noted for removal.
- Align the brake pedal to the frame, fit the shouldered bolt from the kit and tighten to **27 Nm**.
- Position the brake pedal to the pushrod, engage the clevis pin and retain it with the clip. Ensure the clip is fitted as shown below.



cgkl

- 1. Clevis pin**
- 2. Clip**

6. Fit the rubber finisher to the brake pedal.



efyj_1

- 1. Rubber finisher
- 2. Brake pedal

7. Fit the footboard bracket and the footboard, see page 6, step 13.

Warning

After fitting the footboard kit, operate the motorcycle in a safe area free from traffic to gain familiarity with the new handling characteristics. Operation when not familiar with the new characteristics of the motorcycle may result in an accident causing injury or death.

Warning

If, after fitment of this accessory kit, you have any doubt about the performance of any aspect of the motorcycle, contact an authorised Triumph dealer and do not ride the motorcycle until the authorised dealer has declared it fit for use. Riding a motorcycle when there is any doubt as to any aspect of the performance of the motorcycle may result in loss of control of the motorcycle leading to an accident.

Warning

Never ride an accessory-equipped motorcycle at speeds above 80 mph (130 km/h).

The presence of accessories will cause changes in the stability and handling of the motorcycle. Failure to allow for changes in motorcycle stability may lead to loss of control or an accident.

Remember that the 80 mph (130 km/h) limit will be reduced by the fitting of non-approved accessories, incorrect loading, worn tyres, overall motorcycle condition and poor road or weather conditions.

Warning

Only operate this Triumph motorcycle at high speed in closed-course on road competition or on closed-course racetracks. High speed operation should only be attempted by riders who have been instructed in the techniques necessary for high speed riding and are familiar with the motorcycle's characteristics in all conditions.

High speed operation in any other circumstances is dangerous and will lead to loss of motorcycle control and an accident.