

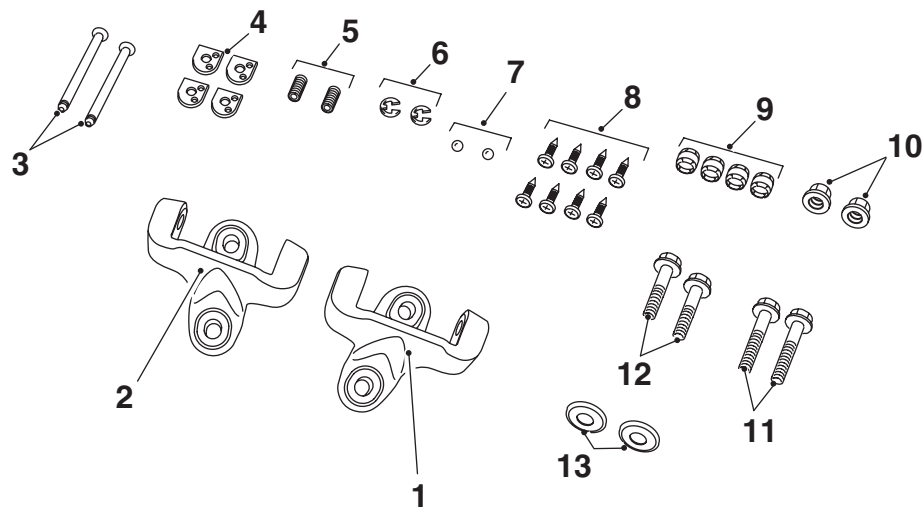
Fitting Instructions:
America and Speedmaster
A9778000 with A9758159 or A9758160

Thank you for choosing this Triumph genuine accessory kit. This accessory kit is the product of Triumph's use of proven engineering, exhaustive testing, and continuous striving for superior reliability, safety and performance.

Completely read all of these instructions before commencing the installation of the accessory kit in order to become thoroughly familiar with the kit's features and the installation process.

These instructions should be considered a permanent part of your accessory kit, and should remain with it even if your accessory-equipped motorcycle is subsequently sold.

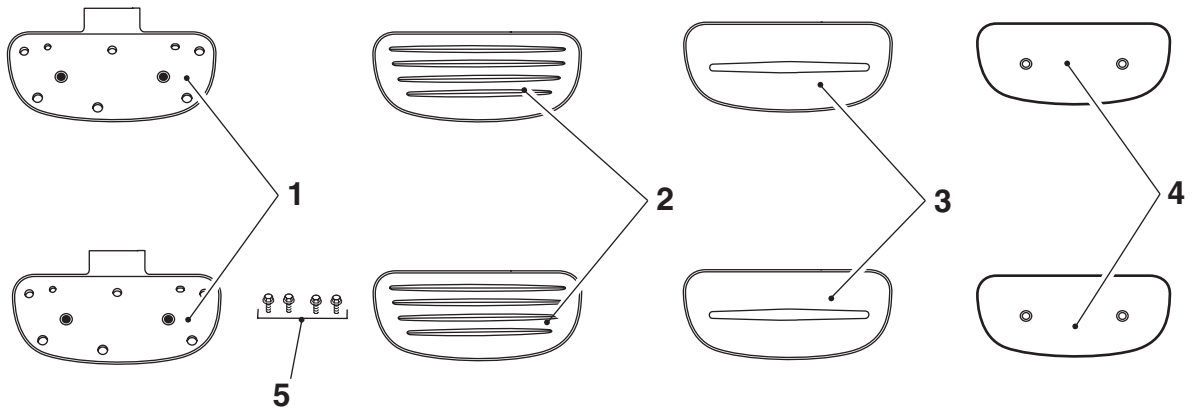
A9778000



Parts Supplied A9778000:

1.	Footboard bracket, right hand	1 off	8.	Plastic rivet	8 off
2.	Footboard bracket, left hand	1 off	9.	Plastic bush	4 off
3.	Pivot pin	2 off	10.	Locknut, M8	2 off
4.	Detent plate	4 off	11.	Bolt, M8 x 33 mm	2 off
5.	Spring	2 off	12.	Bolt, M8 x 30 mm	2 off
6.	E-clip	2 off	13.	Washer, M8	2 off
7.	Detent ball	2 off			

A9758159 and A9758160



Parts Supplied A9758159 and A9758160:

- | | | | |
|--------------------------------|-------|-----------------------|-------|
| 1. Footboard | 2 off | 4. Footboard pressing | 2 off |
| 2. Footboard rubber (A9758159) | 2 off | 5. Bolt, M6 x 12 mm | 4 off |
| 3. Footboard rubber (A9758160) | 2 off | | |

Warning

This accessory kit is designed for use on Triumph America and Speedmaster motorcycles only and should not be fitted to any other manufacturer's motorcycle. Fitting this accessory kit to any other manufacturer's motorcycle will affect the performance, stability and handling of the motorcycle. This may affect the rider's ability to control the motorcycle and could cause an accident.

Warning

Always have Triumph approved parts, accessories and conversions fitted by a trained technician of an authorised Triumph dealer. The fitment of parts, accessories and conversions by a technician who is not of an authorised Triumph dealer may affect the handling, stability or other aspects of the motorcycle's operation which may result in loss of motorcycle control and an accident.

Warning

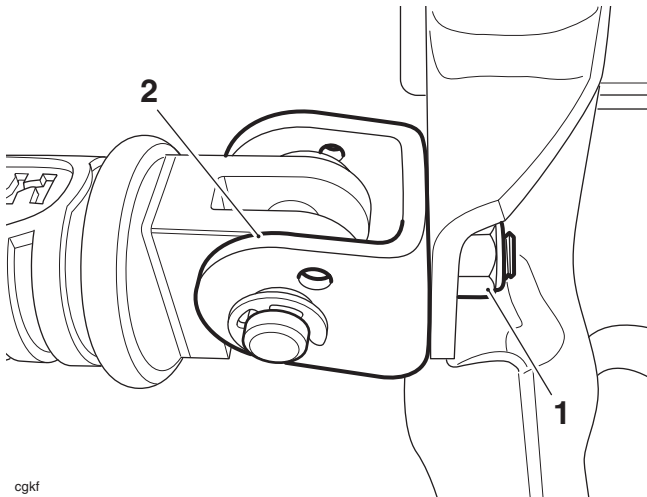
Throughout this operation, ensure that the motorcycle is stabilised and adequately supported to prevent risk of injury from the motorcycle falling.

Warning

A torque wrench of known accurate calibration must be used when fitting this accessory kit. Failure to tighten any of the fasteners to the correct torque specification may result in loss of motorcycle control and an accident.

Fitting the Footboard Brackets - A9778000

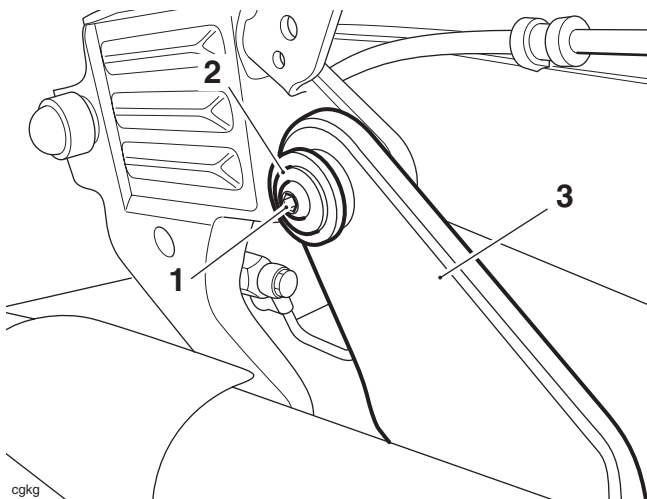
1. Working on the left hand side of the motorcycle, remove the locknut, then remove the pillion footpeg and bracket assembly. Retain the footpeg and bracket assembly if the motorcycle is to be returned to its original condition. Discard the locknut.



cgkf

1. Locknut
2. Pillion footpeg and bracket assembly

2. Remove the bolt and washer securing the silencer bracket to the frame. Retain the bolt and washer if the motorcycle is to be returned to its original condition.

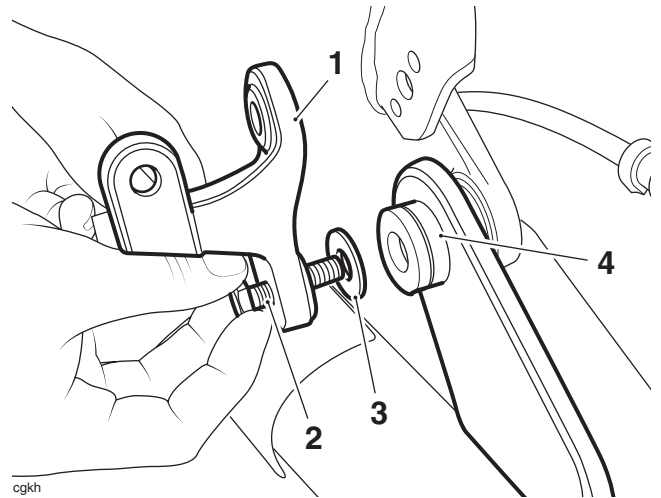


cgkg

1. Bolt
2. Washer
3. Silencer bracket

3. Align the left hand mounting bracket from the kit to the left hand side of the motorcycle.

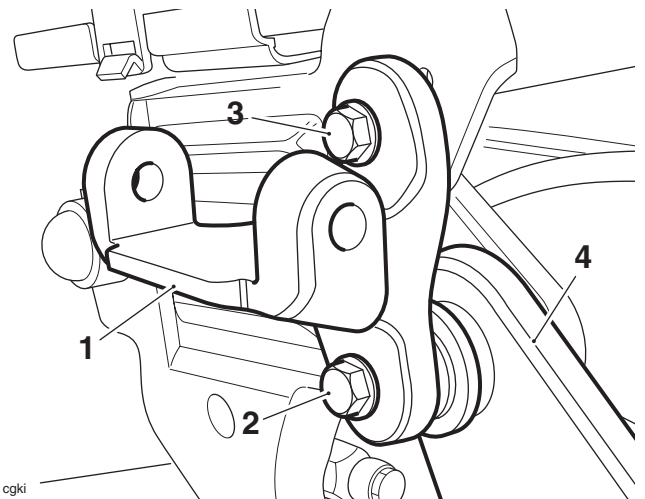
4. Fit a M8 x 33 mm bolt and a washer from the kit to the lower hole in the footboard mounting and the silencer mounting boss, as shown below. Do not fully tighten at this stage.



ogkh

1. Footboard mounting bracket
2. M8 x 33 mm bolt
3. Washer
4. Silencer mounting boss

5. Fit a M8 x 30 mm bolt from the kit through the upper mounting of the footboard bracket and the footpeg mounting hole. Fit a locknut from the kit and tighten both bolts to **27 Nm**.



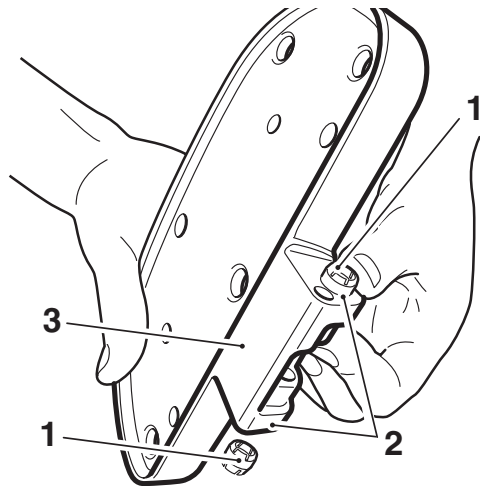
cgki

1. Footboard mounting bracket
2. M8 x 33 mm bolt
3. M8 x 30 mm bolt
4. Silencer bracket

6. Repeat steps 1 to 5 for the right hand side.

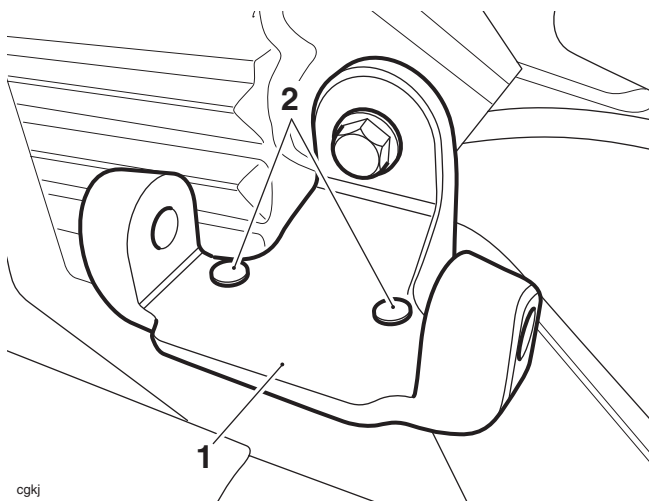
Fitting the Footboards - A9758159 or A9758160

7. Fit a plastic bush to each of the pivot pin holes in the footboard.



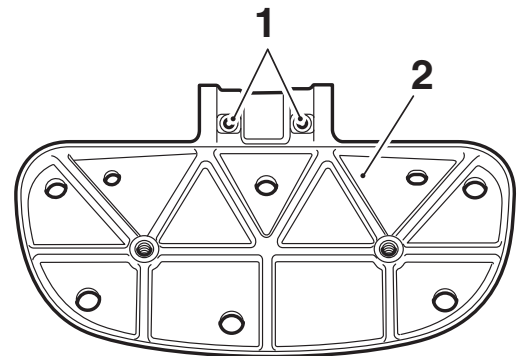
1. Plastic bushes
2. Pivot pin holes
3. Footboard

8. Fit two plastic rivets to each of the footboard mounting brackets.



- cgkj
1. Footboard mounting bracket
 2. Plastic rivets

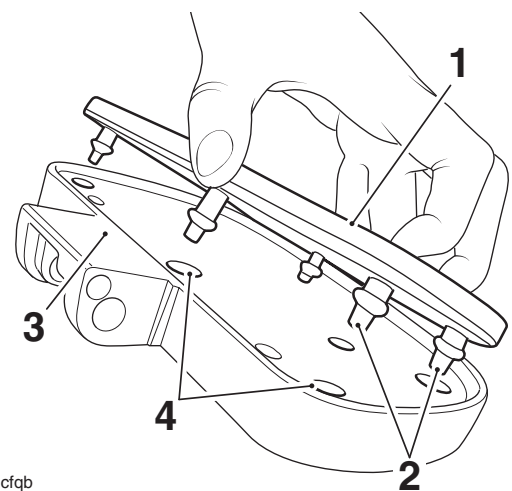
9. Fit two plastic rivets to the underside of both footboards.



cfpf

1. Plastic rivets
2. Footboard

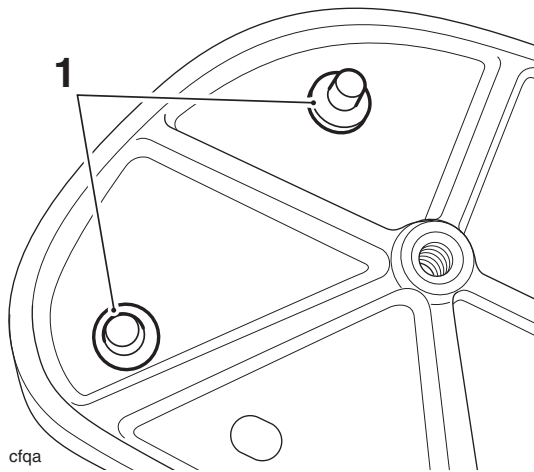
10. Align the rubber fixing lugs to the holes in the footboard.



cfqb

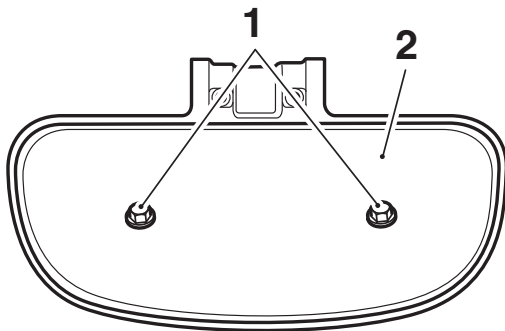
1. Footboard rubber
2. Lugs
3. Footboard
4. Holes

- Pull the lugs from underneath the plate until the flange on the lugs are fully pulled through. Care should be taken not to damage the rubber during this operation.



1. Lugs (2 of 6 shown)

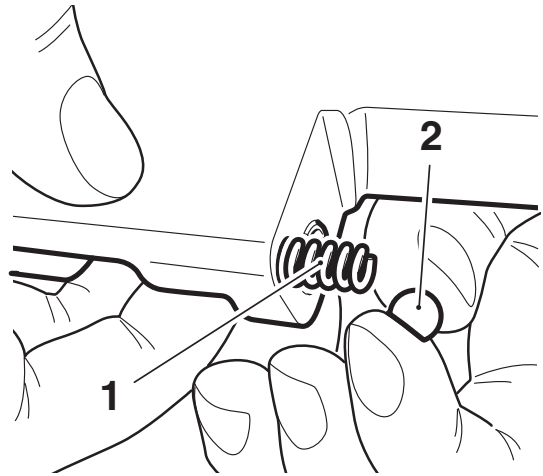
- Fit the footboard pressing to the underside of the footboard. Tighten the bolts to **9 Nm**.



cfpf_1

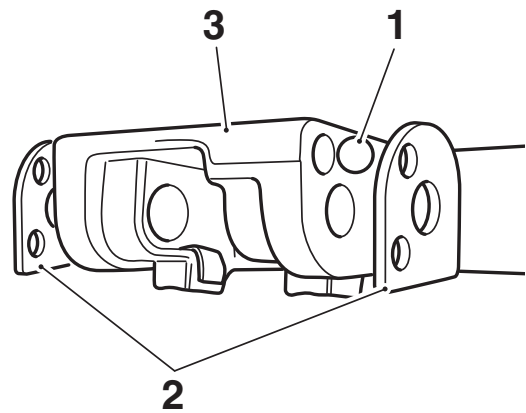
1. Bolts
2. Pressing

- Fit the spring and detent ball into the footboard as shown below.



1. Spring
2. Detent ball

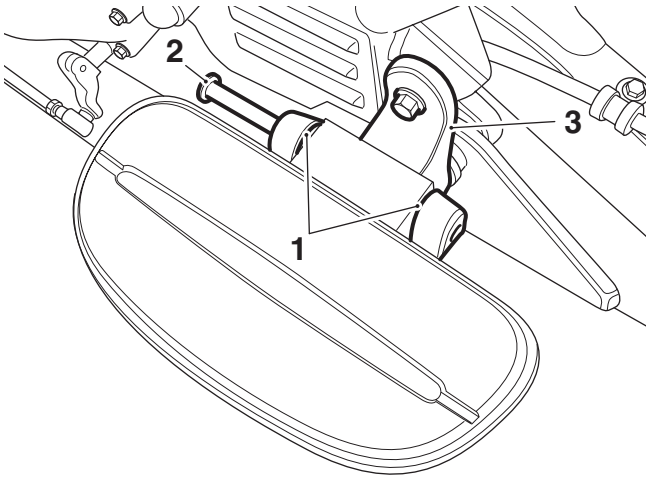
- Using one of the detent plates, hold the spring and detent ball in place. Ensure that the detent ball aligns with the small hole in the detent plate as shown below.
- Hold a second detent plate on the other side of the footboard mounting.



cfow

1. Detent ball
2. Detent plates
3. Footboard

16. While holding the two detent plates in position, align the footboard into the mounting bracket. Fit the pivot pin from the front of the footboard mounting bracket.



cgkk

1. Detent plates
2. Pivot pin
3. Mounting bracket

17. Secure the pivot pin with the E-clip.

Warning

If, after fitment of this accessory kit, you have any doubt about the performance of any aspect of the motorcycle, contact an authorised Triumph dealer and do not ride the motorcycle until the authorised dealer has declared it fit for use. Riding a motorcycle when there is any doubt as to any aspect of the performance of the motorcycle may result in loss of control of the motorcycle leading to an accident.

Warning

Never ride an accessory-equipped motorcycle at speeds above 80 mph (130 km/h).

The presence of accessories will cause changes in the stability and handling of the motorcycle. Failure to allow for changes in motorcycle stability may lead to loss of control or an accident.

Remember that the 80 mph (130 km/h) limit will be reduced by the fitting of non-approved accessories, incorrect loading, worn tyres, overall motorcycle condition and poor road or weather conditions.

Warning

Only operate this Triumph motorcycle at high speed in closed-course on road competition or on closed-course racetracks. High speed operation should only be attempted by riders who have been instructed in the techniques necessary for high speed riding and are familiar with the motorcycle's characteristics in all conditions.

High speed operation in any other circumstances is dangerous and will lead to loss of motorcycle control and an accident.

Warning

The motorcycle must not be operated above the legal road speed limit except in closed-course conditions.