



Accessory Fitting Instructions

Grab Rail Kit	
Kit Number	Models Affected
A9758298	Street Triple S up to VIN 960694, Street Triple S 660cc up to VIN 967906, Street Triple R from VIN 793032 up to VIN 982751, Street Triple RS up to VIN 966533
A9758340	Street Triple S 660cc from VIN 967907 up to VIN BF0949, Street Triple R from VIN 982752 up to VIN BF0949, Street Triple RS from VIN 966534 up to VIN BF0949,
A9758440	Street Triple S 660cc from VIN 967907, Street Triple R from VIN 982752, Street Triple RS from VIN 966534, Street Triple RS Moto2™

Note:

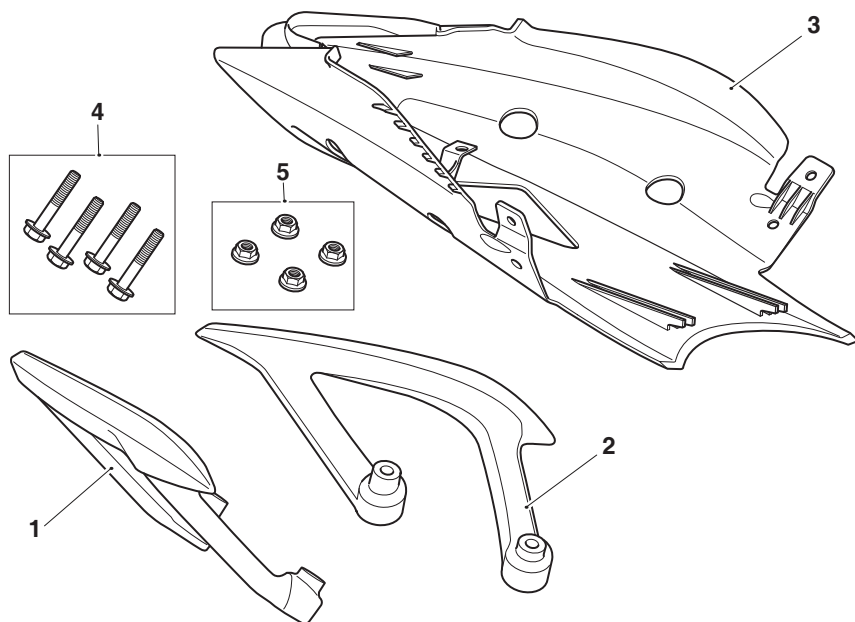
- **The Grab Rail kit can only be used when a passenger seat is fitted.**

Thank you for choosing this Triumph genuine accessory kit. This accessory kit is the product of Triumph's use of proven engineering, exhaustive testing, and continuous striving for superior reliability, safety and performance.

Completely read all of these instructions before commencing the installation of the accessory kit in order to become thoroughly familiar with the kit's features and the installation process.

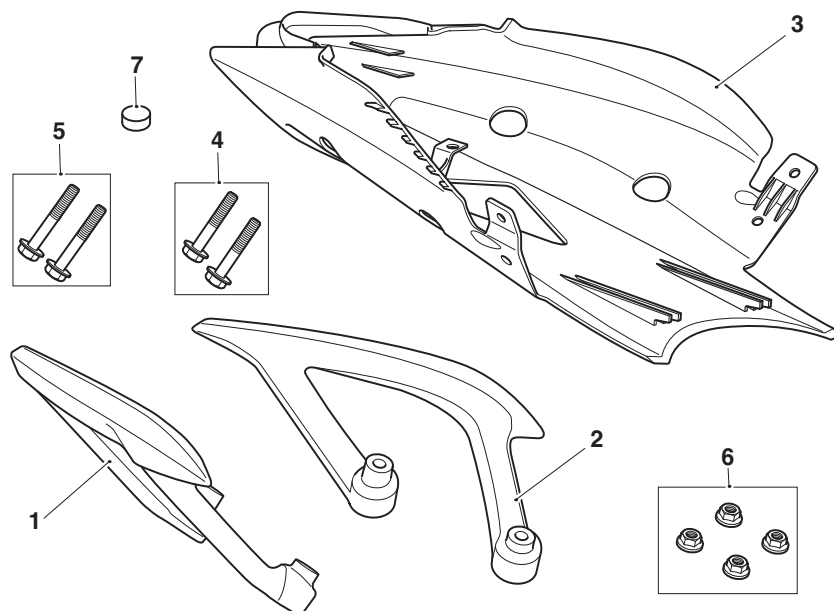
These instructions should be considered a permanent part of your accessory kit, and should remain with it even if your accessory equipped motorcycle is subsequently sold.

Parts Supplied: A9758298, A9758340



1. Grab rail, right hand	1 off	4. Fixing, M8 x 43 mm	4 off
2. Grab rail, left hand	1 off	5. Lock nut M8	4 off
3. Undertray moulding	1 off		

Parts Supplied: A9758440



1. Grab rail, right hand	1 off	5. Fixing, M8 x 45mm	2 off
2. Grab rail, left hand	1 off	6. Lock nut M8	4 off
3. Undertray moulding	1 off	7. Rubber cover	4 off
4. Fixing, M8 x 43 mm	2 off		

Warning

Fit only genuine Triumph accessories to those models approved by Triumph as listed in the associated Triumph fitting instructions. The accessory kits covered in this instruction are designed for use on specific models of Triumph motorcycle. The accessory kits and the models applicable are listed at the start of the instruction. They should never be fitted to any other Triumph model or to any other manufacturer's motorcycle. Fitting an accessory kit to a Triumph model not listed, or to any other manufacturer's motorcycle will affect the performance, stability and handling of the motorcycle. This may affect the rider's ability to control the motorcycle and could result in an accident causing severe injuries or death.

Warning

Always have Triumph approved parts, accessories and conversions fitted by a trained technician of an authorised Triumph dealer. The fitment of parts, accessories and conversions by a technician who is not of an authorised Triumph dealer may affect the handling, stability or other aspects of the motorcycle's operation which may result in loss of motorcycle control and an accident.

Warning

Make sure the motorcycle is stabilised and adequately supported. Do not support the motorcycle on any ancillary component, the exhaust system or any other non structural parts of the motorcycle frame. A correctly supported motorcycle will help prevent it from falling. An unstable motorcycle may fall, causing injury to the operator or damage to the motorcycle.

Warning

A torque wrench of known accurate calibration must be used when fitting this accessory kit. Failure to tighten any of the fasteners to the correct torque specification may affect motorcycle performance, handling and stability. This may result in loss of motorcycle control and an accident.

Note:

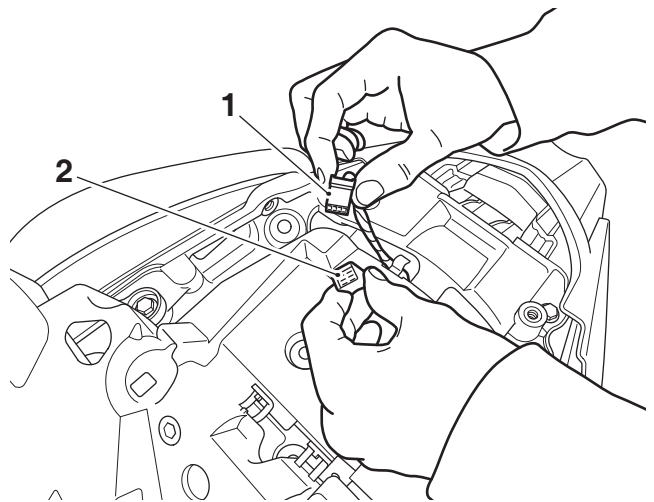
- Triumph offers a broad range of approved genuine accessories for your motorcycle. **We cannot therefore cover all possible equipment variations in these instructions. For removal and installation of Triumph Genuine Accessories, always refer to the instructions supplied with the respective accessory kit. To obtain additional copies of any Triumph accessory instructions, visit www.triumphinstructions.com or contact your authorised Triumph dealer.**

Note:

- **The Grab Rail kit can only be used when a passenger seat is fitted.**

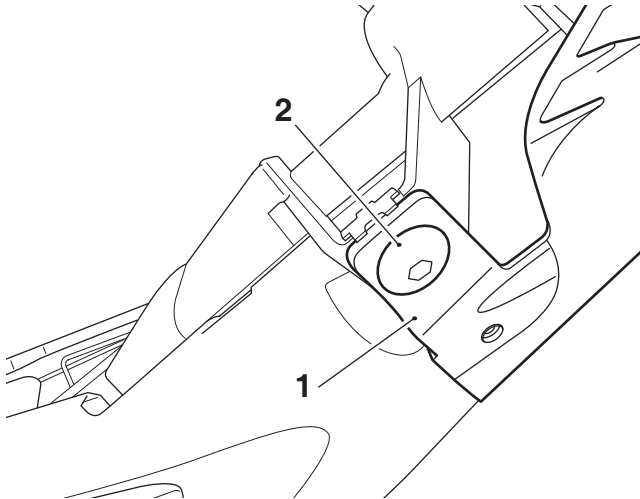
All Models

1. Remove the rider and passenger seat, or seat cowl, as described in the Service Manual. Retain the seat cowl for reuse if the motorcycle is to be returned to its original condition.
2. Disconnect the battery as described in the Service Manual.
3. Remove the left hand and right hand rear bodywork panels as described in the Service Manual. Retain the bodywork panels and fixings for reuse.
4. Remove the licence plate hanger as described in the Service Manual. Retain the licence plate hanger and fixings for reuse.
5. Disconnect the rear light harness connector from the main wiring harness connector.



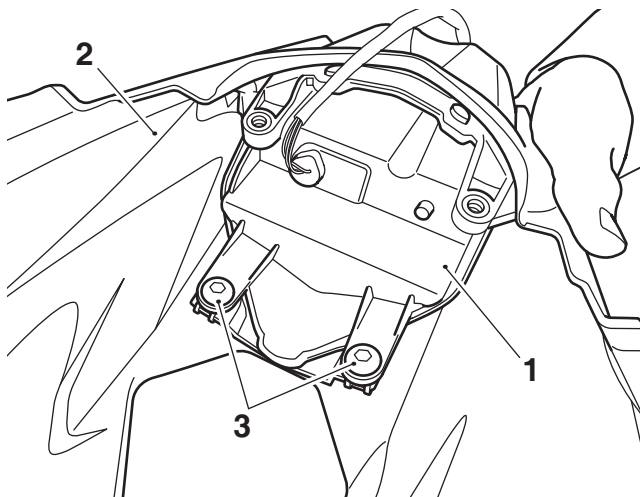
1. Rear light harness connector
2. Main harness connector

- Remove the undertray moulding front fixings and remove the undertray moulding.



- Undertray moulding
- Fixings, left hand side shown

- Remove the rear light fixings and remove the rear light from the undertray moulding. Retain the rear light and fixings for reuse.

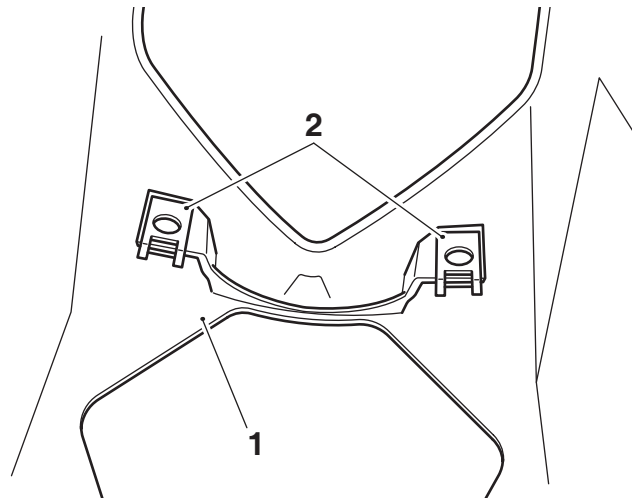


- Rear light
- Undertray moulding
- Fixings

Note:

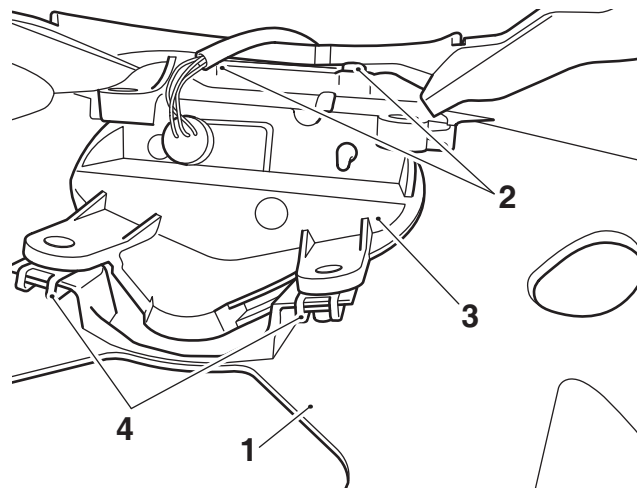
- Before removing the captive nuts from the undertray moulding note their position and orientation to aid fitment to the undertray moulding from the kit.
- Remove the captive nuts from the undertray moulding. Retain the undertray moulding for reuse if the motorcycle is to be returned to its original condition. Retain the captive nuts for reuse.

- Fit the captive nuts to the undertray moulding from the kit in the orientation shown.



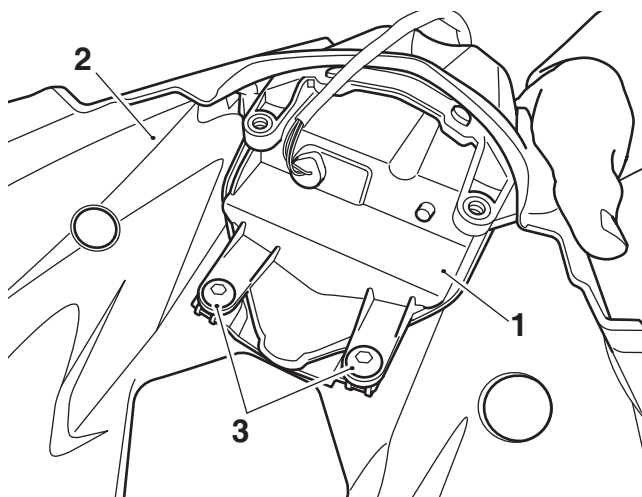
- Undertray moulding
- Captive nuts

- Fit the rear light to the undertray moulding. Make sure it locates under the tabs on the undertray moulding and the fixing positions are aligned with the captive nuts in the undertray moulding.



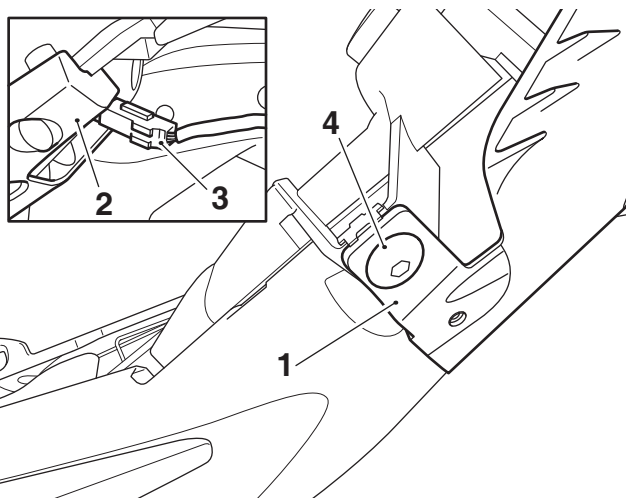
- Undertray moulding
- Tabs
- Rear light
- Captive nuts

- Fit the original rear light fixings and tighten to **4 Nm**.



- Rear light
- Undertray moulding
- Fixings

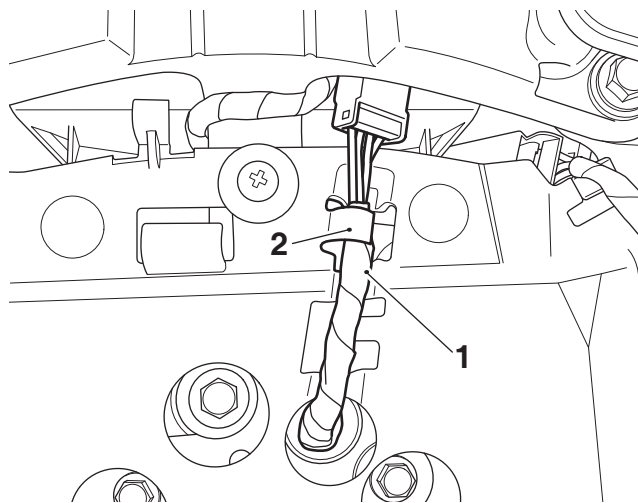
- Fit the undertray moulding. Make sure the rear light harness is routed through the motorcycle frame to the underseat area of the motorcycle. Fit the left hand and right hand side front fixings. Tighten to **3 Nm**.



- Undertray moulding
- Motorcycle frame
- Rear light harness
- Fixings, left hand side shown

- Refit the licence plate hanger and secure with the original fixings as described in the Service Manual.

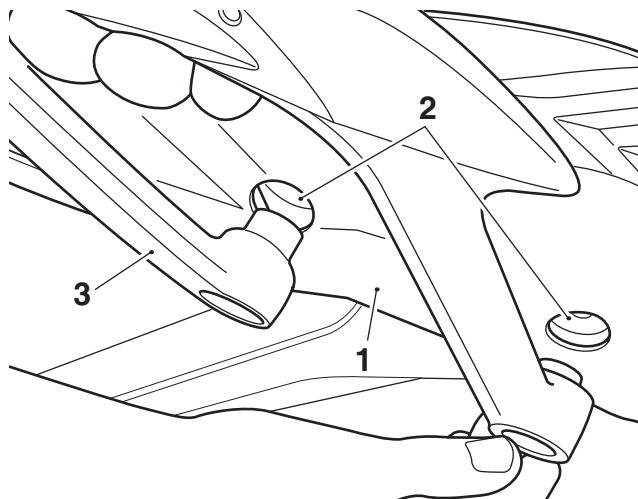
- Reconnect the rear light harness connector to the main harness connector and make sure the rear light harness is positioned in the cable retaining clip features as shown.



- Rear light harness
- Cable clip

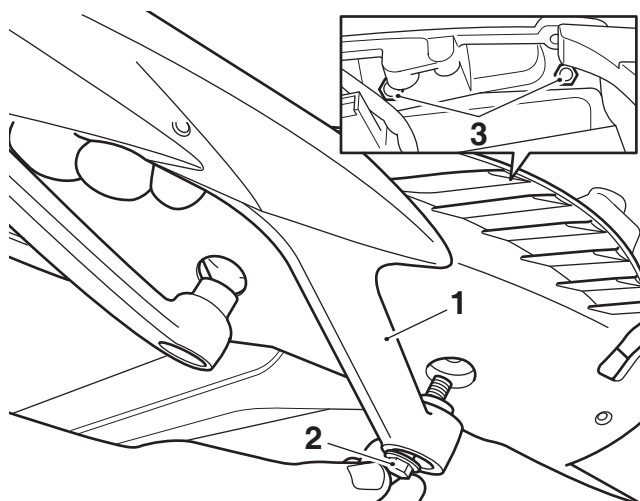
Fitment of the Grab Rail Kits A9758298, A9758340

- Locate the right hand grab rail in position through the access holes in the new undertray. Align the fixing holes of the grab rail with the mounting holes on the motorcycle frame.



- Undertray moulding
- Mounting holes, motorcycle frame
- Grab rail, right hand shown

2. Fit an M8 x 43 mm fixing through the front mounting of the grab rail and motorcycle frame, from the underside, and secure with an M8 lock nut. Repeat for the rear mounting position of the grab rail. While holding the lock nuts tighten the fixings to **20 Nm**.



1. Grab rail
2. Fixing, M8 x 43 mm
3. Lock nuts, M8

3. Repeat steps 1 and 2 for the left hand side.
4. Refit the left hand and right hand bodywork panels and secure with the original fixings, as described in the Service Manual.
5. Reconnect the battery as described in the Service Manual.
6. Refit the rider and passenger seats as described in the Service Manual.

Warning

After fitting the accessory kit the motorcycle will exhibit new handling characteristics. Operate the motorcycle in a safe area free from traffic to gain familiarity with any new characteristics. Operation of the motorcycle when not familiar with any new handling characteristics may result in loss of motorcycle control and an accident.

Warning

Never ride an accessory equipped motorcycle (including those fitted with Triumph approved windscreens and luggage systems) at speeds above 80 mph (130 km/h).

The presence of accessories such as windscreens and luggage systems will cause changes in the stability and handling of the motorcycle. Failure to allow for changes in motorcycle stability may result in loss of motorcycle control and an accident.

Remember that the 80 mph (130 km/h) limit will be reduced by the fitting of non-approved accessories, incorrect loading, worn tyres, overall motorcycle condition and poor road or weather conditions.

Warning

This motorcycle must not be operated above the legal road speed limit except in authorised closed-course conditions.

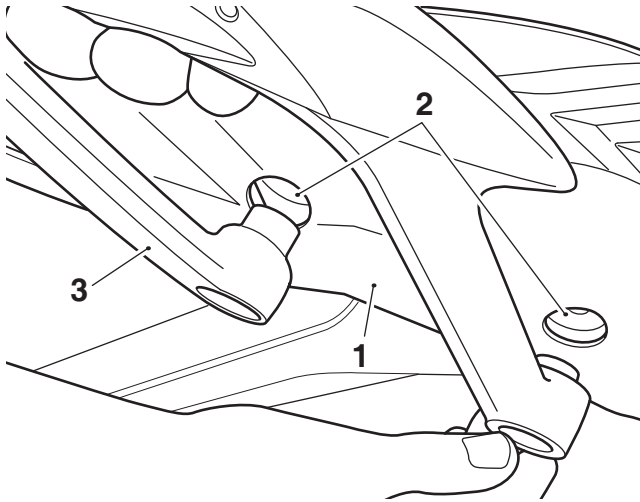
Warning

Only operate this Triumph motorcycle at high speed in closed-course on road competition or on closed course racetracks. High speed operation should only be attempted by riders who have been instructed in the techniques necessary for high speed riding and are familiar with the motorcycle's characteristics in all conditions.

High speed operation in any other circumstances is dangerous and may result in loss of motorcycle control and an accident.

Fitment of the Grab Rail Kit A9758440

1. Locate the right hand grab rail in position through the access holes in the new undertray. Align the fixing holes of the grab rail with the mounting holes on the motorcycle frame.

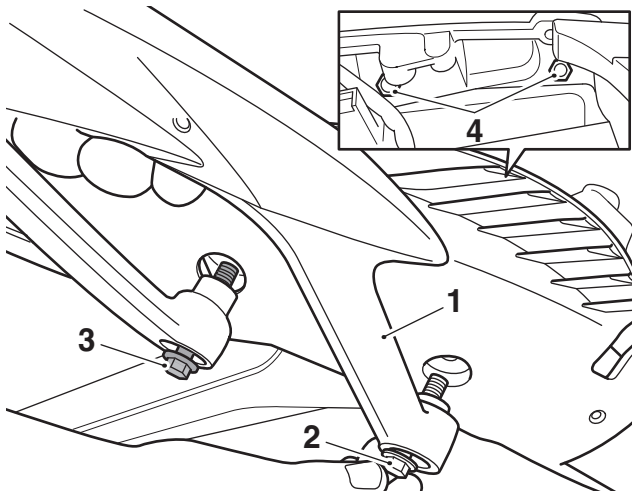


1. Undertray moulding

2. Mounting holes, motorcycle frame

3. Grab rail, right hand shown

2. Fit an M8 x 45 mm fixing through the front mounting of the grab rail and motorcycle frame, from the underside, and secure with an M8 lock nut. Fit an M8 x 43 mm fixing through the rear mounting of the grab rail and motorcycle frame, from the underside, and secure with an M8 lock nut. While holding the lock nuts tighten the fixings to **20 Nm**.



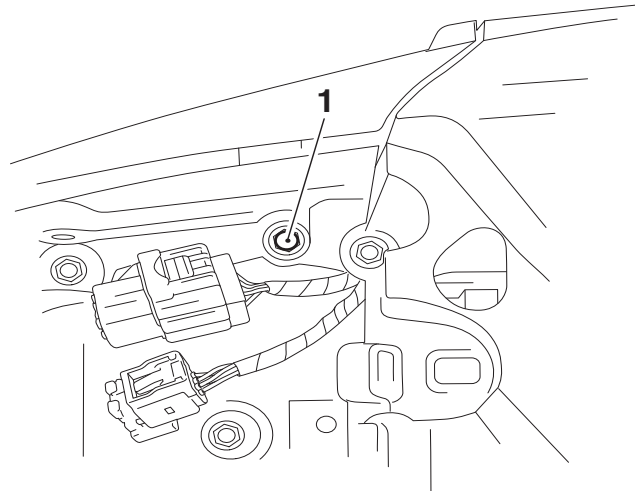
1. Grab rail

2. Fixing, M8 x 45 mm

3. Fixing, M8 x 43 mm

4. Lock nuts, M8

3. Repeat steps 1 and 2 for the left hand side.
4. Fit the rubber cover from the kit to the left hand front fixing thread.



1. Rubber cover

5. Refit the left hand and right hand bodywork panels and secure with the original fixings, as described in the Service Manual.
6. Reconnect the battery as described in the Service Manual.
7. Refit the rider and passenger seats as described in the Service Manual.



Warning

After fitting the accessory kit the motorcycle will exhibit new handling characteristics. Operate the motorcycle in a safe area free from traffic to gain familiarity with any new characteristics. Operation of the motorcycle when not familiar with any new handling characteristics may result in loss of motorcycle control and an accident.



Warning

Never ride an accessory equipped motorcycle (including those fitted with Triumph approved windscreens and luggage systems) at speeds above 80 mph (130 km/h).

The presence of accessories such as windscreens and luggage systems will cause changes in the stability and handling of the motorcycle. Failure to allow for changes in motorcycle stability may result in loss of motorcycle control and an accident.

Remember that the 80 mph (130 km/h) limit will be reduced by the fitting of non-approved accessories, incorrect loading, worn tyres, overall motorcycle condition and poor road or weather conditions.



Warning

Only operate this Triumph motorcycle at high speed in closed-course on road competition or on closed-course racetracks. High-speed operation should only be attempted by riders who have been instructed in the techniques necessary for high-speed riding and are familiar with the motorcycle's characteristics in all conditions.

High-speed operation in any other circumstances is dangerous and may result in loss of motorcycle control and an accident.



Warning

This motorcycle must not be operated above the legal road speed limit except in authorised closed-course conditions.