

English

Fitting Instructions:

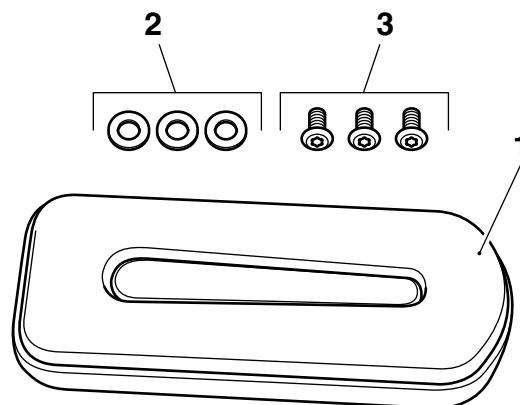
Multi-Fit

A9758148

Thank you for choosing this Triumph genuine accessory kit. This accessory kit is the product of Triumph's use of proven engineering, exhaustive testing, and continuous striving for superior reliability, safety and performance.

Completely read all of these instructions before commencing the installation of the accessory kit in order to become thoroughly familiar with the kit's features and the installation process.

These instructions should be considered a permanent part of your accessory kit, and should remain with it even if your accessory equipped motorcycle is subsequently sold.



Parts Supplied:

1. Finisher, brake pedal	1 off	3. Screw, M5 x 10 mm	3 off
2. Washer	3 off		



Warning

This accessory kit is designed for use on specific Triumph motorcycles only and should not be fitted to any other manufacturer's motorcycle. Consult your authorised dealer for model fitment. Fitting this accessory kit to any other manufacturer's motorcycle will affect the performance, stability and handling of the motorcycle. This may affect the riders ability to control the motorcycle and could cause an accident.



Warning

Always have Triumph approved parts, accessories and conversions fitted by a trained technician of an authorised Triumph dealer. The fitment of parts, accessories and conversions by a technician who is not of an authorised Triumph dealer may affect the handling, stability or other aspects of the motorcycles operation which may result in loss of motorcycle control and an accident.



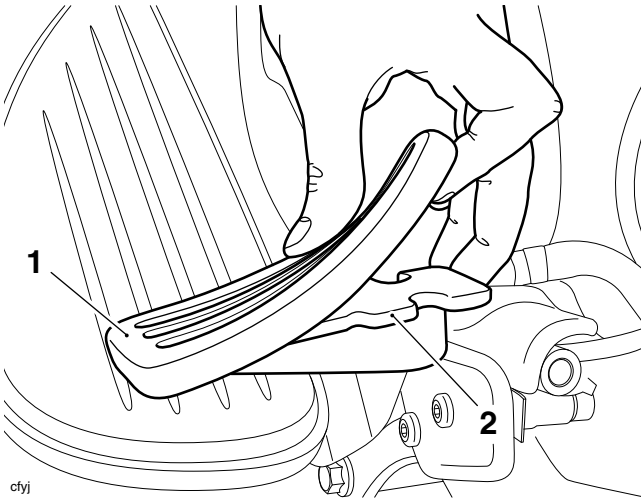
Warning

Throughout this operation, ensure that the motorcycle is stabilised and adequately supported to prevent risk of injury from the motorcycle falling.

Note:

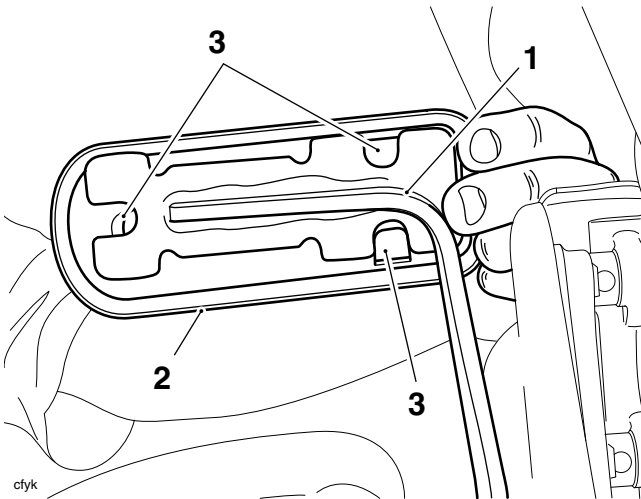
- **This brake pedal finisher can only be fitted to an accessory fitted brake pedal.**

1. Remove the rubber finisher from the brake pedal. Retain the finisher if the motorcycle is to be returned to its original condition.



1. Rubber finisher
2. Brake pedal

2. Align the threaded holes in the finisher to the slots in the brake pedal.



1. Brake pedal
2. Finisher
3. Slots

3. Fit the washers and M5 x 10 mm screws. Tighten the screws to **6 Nm**.

Warning

After fitting the brake pedal finisher kit, operate the motorcycle in a safe area free from traffic to gain familiarity with the new handling characteristics. Operation when not familiar with the new characteristics of the motorcycle may result in an accident causing injury or death.

Warning

If, after fitment of this accessory kit, you have any doubt about the performance of any aspect of the motorcycle, contact an authorised Triumph dealer and do not ride the motorcycle until the authorised dealer has declared it fit for use. Riding a motorcycle when there is any doubt as to any aspect of the performance of the motorcycle may result in loss of control of the motorcycle leading to an accident.