

**Fitting Instructions:
Street Triple
Grab Rail Kit - A9758052**



Thank you for choosing this Triumph genuine accessory kit. This accessory kit is the product of Triumph's use of proven engineering, exhaustive testing, and continuous striving for superior reliability, safety and performance.

Completely read all of these instructions before commencing the installation of the accessory kit in order to become thoroughly familiar with the kit's features and the installation process.

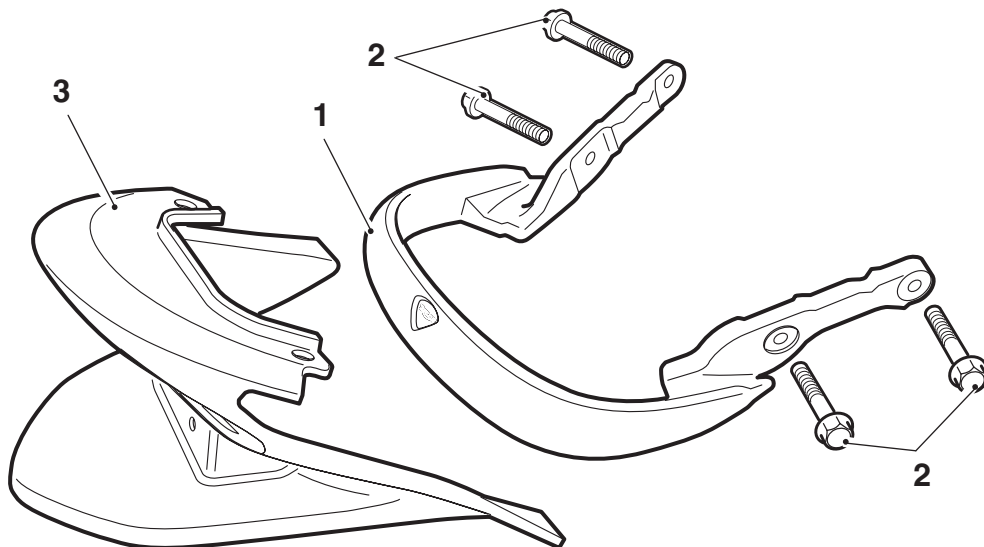
These instructions should be considered a permanent part of your accessory kit, and should remain with it even if your accessory equipped motorcycle is subsequently sold.

Warning

This accessory kit is designed for use on Triumph Street Triple motorcycles only and should not be fitted to any other Triumph model or to any other manufacturers motorcycle. Fitting this accessory kit to any other Triumph model, or to any other manufacturers motorcycle, may interfere with the rider and could affect the handling, stability or other aspects of the motorcycles operation which may result in loss of motorcycle control and an accident.

Warning

Always have Triumph approved parts, accessories and conversions fitted by a trained technician of an authorised Triumph dealer. The fitment of parts, accessories and conversions by a technician who is not of an authorised Triumph dealer may affect the handling, stability or other aspects of the motorcycles operation which may result in loss of motorcycle control and an accident.



Parts Supplied:

- 1. Grab rail 1 off**
- 2. Flange hex hd screw, M8 x 50 4 off**
- 3. Rear light finisher 1 off**

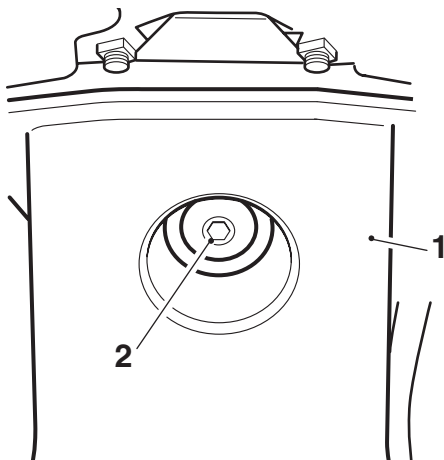
Warning

Throughout this operation, ensure that the motorcycle is stabilised and adequately supported on a paddock stand to prevent risk of injury from the motorcycle falling.

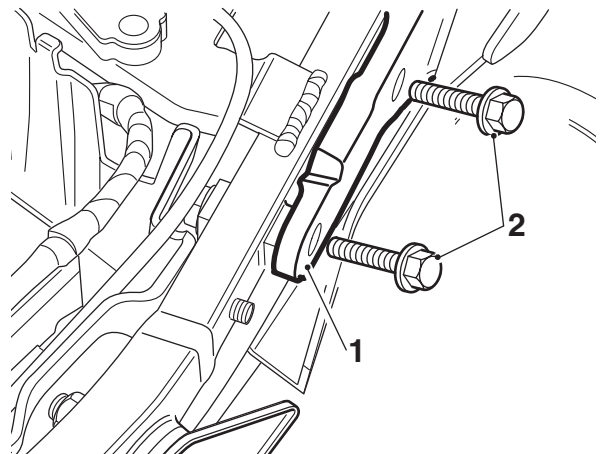
Warning

A torque wrench of known accurate calibration must be used when fitting this accessory kit. Failure to tighten any of the fasteners to the correct torque specification may result in loss of motorcycle control and an accident.

1. Remove the seat.
2. Remove the rear bodywork panels as described in the service manual.
3. Loosen the undertray moulding rear fixing. Note it is not necessary to remove the fixing.
6. Position the grab rail on the motorcycle and retain with the new M8 x 50 screws, original spacers and nuts, positioned as noted on removal. Do not fully tighten at this stage.



- 1. Undertray moulding**
- 2. Fixing**



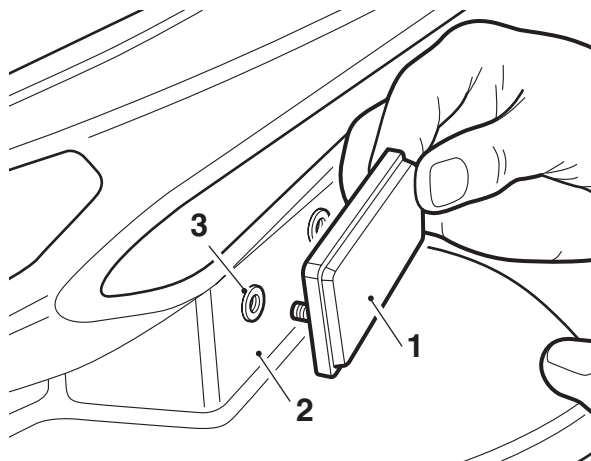
- 1. Grab rail**
- 2. Screw, M8 x 50**

4. Remove the original rear light finisher.
5. Remove the four fixings securing the rear numberplate bracket. Note the position of the spacers to aid re-assembly. Retain the spacers and nuts for reuse. Retain the fixing screws if the motorcycle is to be returned to its original condition.

! Caution

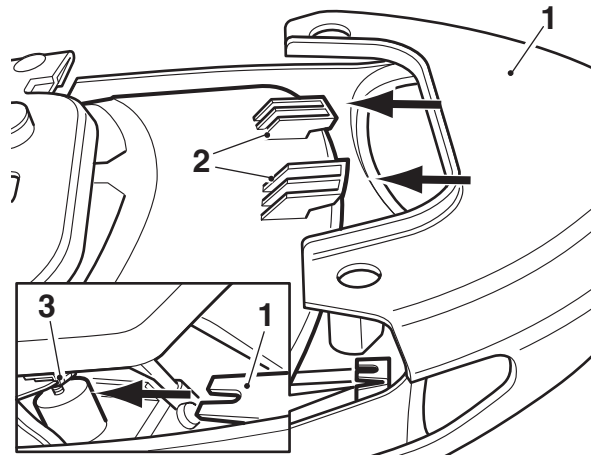
Do not use a screwdriver, or any other bladed tool, to lever the reflector from the rear light finisher. Applying a load to one side of the reflector could result in damage to the reflector or rear light finisher.

7. Carefully push the reflector out of the original rear light finisher grommets. Retain the reflector for reuse. Retain the rear light finisher if the motorcycle is to be returned to its original condition.
8. Push the original reflector into the new rear light finisher grommets.



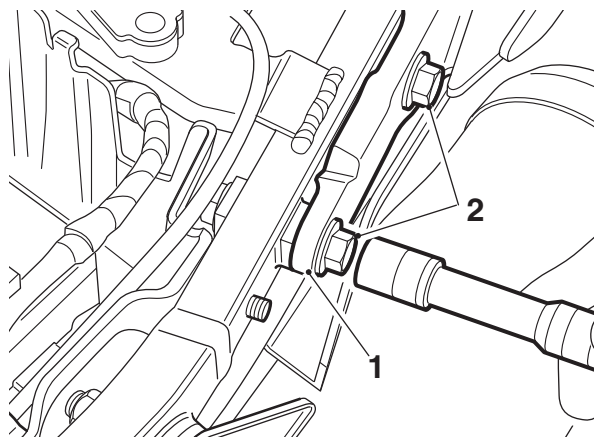
1. Reflector
2. Rear light finisher
3. Grommet

9. Position the new rear light finisher on the motorcycle ensuring it locates correctly on the rear lamp cowl fins and into the undertray moulding fixing point.



1. Rear light finisher
2. Lamp cowl
3. Undertray moulding fixing

10. Tighten the undertray moulding screw to **3Nm**.
11. Tighten the grab rail fixings to **20Nm**.



1. Grab rail
2. Fixings

12. Refit the rear bodywork panels as described in the service manual.
13. Refit the seat.
14. Remove the paddock stand.

 **Warning**

After fitting the accessory kit the motorcycle will exhibit new handling characteristics. Operate the motorcycle in a safe area free from traffic to gain familiarity with any new characteristics. Operation of the motorcycle when not familiar with any new handling characteristics may result in loss of motorcycle control and an accident.

 **Warning**

If, after fitment of this accessory kit, you have any doubt about the performance of any aspect of the motorcycle, contact an authorised Triumph dealer and do not ride the motorcycle until the authorised dealer has declared it fit for use. Riding a motorcycle when there is any doubt as to any aspect of the performance of the motorcycle may result in loss of control of the motorcycle leading to an accident.

 **Warning**

Never ride an accessory equipped motorcycle at speeds above 80 mph (130 km/h). The presence of accessories will cause changes in the stability and handling of the motorcycle. Failure to allow for changes in motorcycle stability may lead to loss of control or an accident.

Remember that the 80 mph (130km/h) limit will be reduced by the fitting of non-approved accessories, incorrect loading, worn tyres, overall motorcycle condition and poor road or weather conditions.

 **Warning**

The motorcycle must not be operated above the legal road speed limit except in closed course conditions.

 **Warning**

Only operate this Triumph motorcycle at high speed in closed-course on road competition or on closed course racetracks. High speed operation should only be attempted by riders who have been instructed in the techniques necessary for high speed riding and are familiar with the motorcycle's characteristics in all conditions.

High speed operation in any other circumstances is dangerous and will lead to loss of motorcycle control and an accident.