

Fitting Instructions: Rocket III Pannier Dresser Rail



Warning

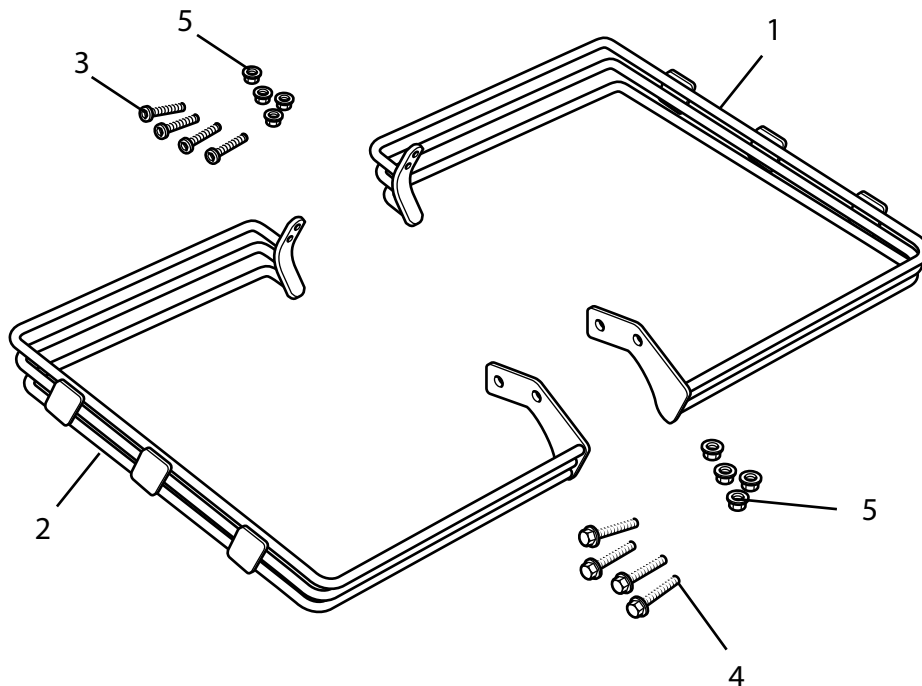
Always have Triumph approved parts, accessories and conversions fitted by a trained technician of an authorised Triumph dealer. The fitting of parts, accessories and conversions by a technician who is not of an authorised Triumph dealer may affect the handling, stability or other aspects of the motorcycle operation, which may result in an accident causing injury or death.

Warning

This pannier dresser rail kit is designed for use solely on the Triumph Rocket III in conjunction with the leather pannier kit and should not be fitted to any other Triumph model or to any motorcycle of other manufacturers. Fitting this dresser rail to any other Triumph model or to any motorcycle of other manufacturers may interfere with the rider and could affect the stability and handling of the motorcycle leading to an accident causing injury or death.

Warning

Throughout this operation, ensure that the motorcycle is stabilised and adequately supported to prevent the risk of injury from the motorcycle falling.



Parts Supplied:

- | | | | |
|--|-------|-------------------------------------|-------|
| 1. Pannier dresser rail (left hand) | 1 off | 4. M6 x 25 domehead screw | 4 off |
| 2. Pannier dresser rail (right hand) | 1 off | 5. M6 flanged locknut | 8 off |
| 3. M6 x 35 domehead screw | 4 off | | |

Fitting Instructions: Rocket III Pannier Dresser Rail



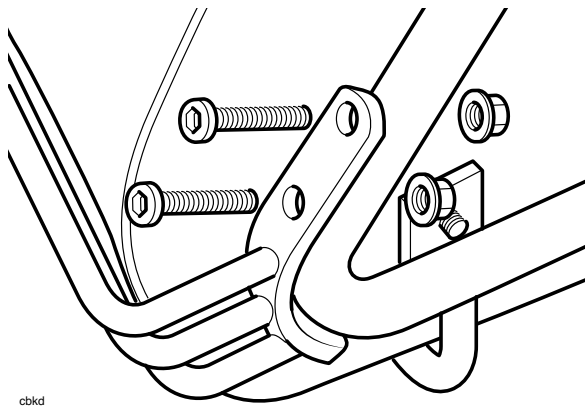
NOTE

- This pannier dresser rail kit is to be fitted in conjunction with the Triumph Rocket III leather pannier kit.

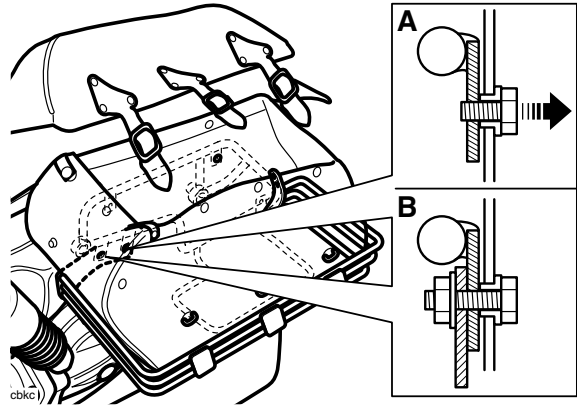
NOTE

- The pannier dresser rail kit is to be fitted after first fitting the leather pannier kit.

1. Position the left hand dresser rail over the left hand pannier.
2. Align the two rear mounting holes in the dresser rail with the corresponding mounting holes at the rear of the pannier rail.
3. Retain the rear of the dresser rail to the rear of the pannier using the two M6 x 35 dome head screws and M6 flanged locknuts provided in the kit.



4. Remove the two M6 x 12 dome head screws (shown in 'A' below, holding the left hand pannier to the pannier rail). Replace these with the M6 x 25 dome head screws provided in the kit. Ensure that the screws locate through the pannier, mount rail and dresser rail (shown in 'B' below). Tighten the two screws to **9 Nm**.



5. Secure the dresser rail front mounting to the rear of the pannier-mounting lug using the two M6 locknuts provided. Tighten the locknuts to **9 Nm**.
6. Fit the right hand dresser rail using the same method.