



Accessory Fitting Instructions

Flyscreen Mounting Kit	
Kit Number	Models Affected
A9708349 A9708587	Street Twin up to VIN AE3381 with Euro 4 engine ECM (see page 3)
A9708302 A9708586	Bonneville T100 and Bonneville T100 Black from VIN 759204, Bonneville T120, Bonneville T120 Black
A9708131 A9708590	Thruxton 1200 and Thruxton 1200 R, Thruxton RS
A9708434	Street Scrambler up to VIN 910740
A9708506	Street Scrambler up to VIN AE9847 with Euro 4 engine ECM (see page 3)
A9701422	Scrambler 1200 XC up to VIN AD7675, Scrambler 1200 XE up to VIN AB6805
A9701549	Scrambler 1200 XC from VIN AE9098, Scrambler 1200 XE from VIN AC8499 to VIN BN8495
A9701551	Scrambler 1200 XC, Scrambler 1200 XE to VIN BN8495
A9708602	Street Twin from VIN AB9715 and Speed Twin 900 with Euro 5 engine ECM (see page 3)
A9708610	Street Scrambler Models from VIN AB9837 and Scrambler 900 with Euro 5 engine ECM (see page 3)
To be used with the following Flyscreens	
Flyscreen - Short Painted	
Kit Number	Models Affected
A9708381	Street Twin, Speed Twin 900, Street Cup, Street Scrambler, Scrambler 900, Bonneville T100 and Bonneville T100 Black from VIN 759204, Bonneville T120, Bonneville T120 Black, Thruxton 1200, Thruxton 1200 R, Thruxton RS
Flyscreen - Short Clear	
Kit Number	Models Affected
A9708303	Street Twin, Speed Twin 900, Street Cup, Street Scrambler, Scrambler 900, Bonneville T100 and Bonneville T100 Black from VIN 759204, Bonneville T120, Bonneville T120 Black, Thruxton 1200, Thruxton 1200 R, Thruxton RS Scrambler 1200 XC, Scrambler 1200 XE, Scrambler 1200 X

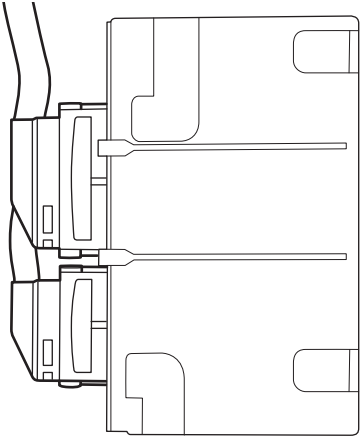
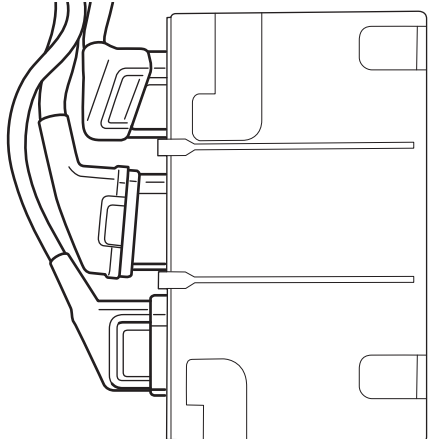
Flyscreen - Short Dark Tinted	
Kit Number	Models Affected
A9708151	Street Twin, Speed Twin 900, Street Cup, Street Scrambler, Scrambler 900, Bonneville T100 and Bonneville T100 Black from VIN 759204, Bonneville T120, Bonneville T120 Black, Thruxton 1200, Thruxton 1200 R, Scrambler 1200 XC, Scrambler 1200 XE, Scrambler 1200 X
Flyscreen - Light Tinted	
Kit Number	Models Affected
A9708407	Street Twin, Speed Twin 900, Street Cup, Street Scrambler, Scrambler 900, Bonneville T100 and Bonneville T100 Black from VIN 759204, Bonneville T120, Bonneville T120 Black, Thruxton 1200, Thruxton 1200 R, Thruxton RS
Flyscreen - Tall Clear	
Kit Number	Models Affected
A9708408	Street Twin, Speed Twin 900, Street Cup, Street Scrambler, Scrambler 900, Bonneville T100 and Bonneville T100 Black from VIN 759204, Bonneville T120, Bonneville T120 Black, Thruxton 1200, Thruxton 1200 R, Thruxton RS Scrambler 1200 XC, Scrambler 1200 XE to VIN BN8495
Flyscreen - Tall Tinted	
Kit Number	Models Affected
A9708409	Street Twin, Speed Twin 900, Street Cup, Street Scrambler, Scrambler 900, Bonneville T100 and Bonneville T100 Black from VIN 759204, Bonneville T120, Bonneville T120 Black, Thruxton 1200, Thruxton 1200 R, Thruxton RS Scrambler 1200 XC, Scrambler 1200 XE to VIN BN8495

Completely read all of these instructions before commencing the installation of the accessory kit in order to become thoroughly familiar with the kit's features and the installation process.

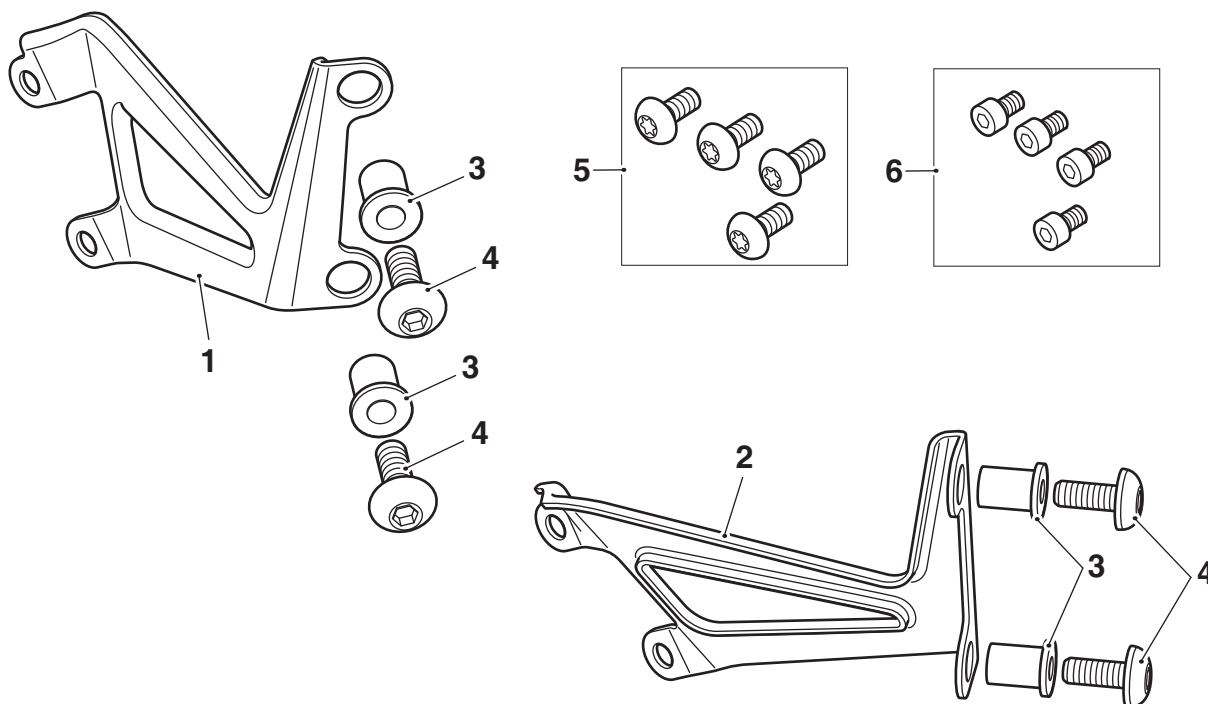
These instructions should be considered a permanent part of your accessory kit, and should remain with it even if your accessory equipped motorcycle is subsequently sold.

Note:

- The engine ECM is located under the seat.

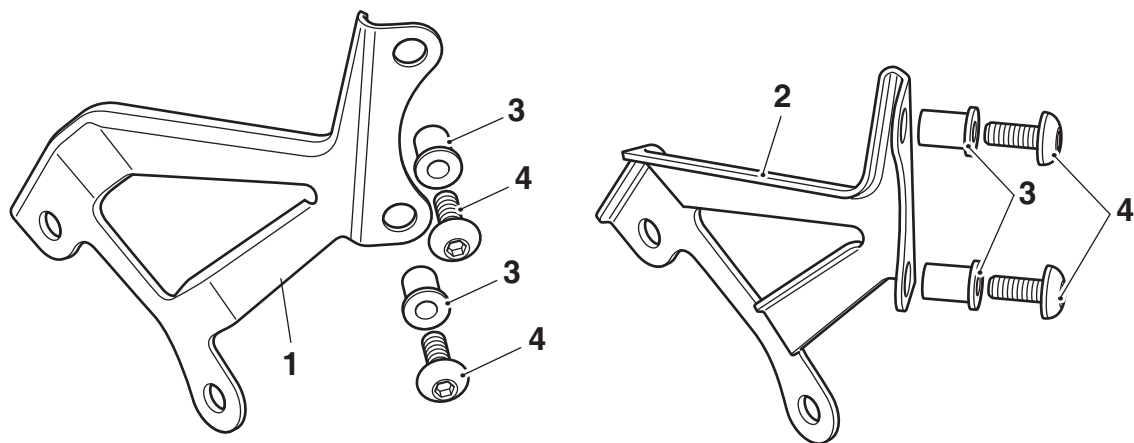
Engine ECM Identification	
Euro 4 ECM	Euro 5 ECM
	
Two connectors	Three connectors

Parts Supplied: A9708349, A9708434, A9708587



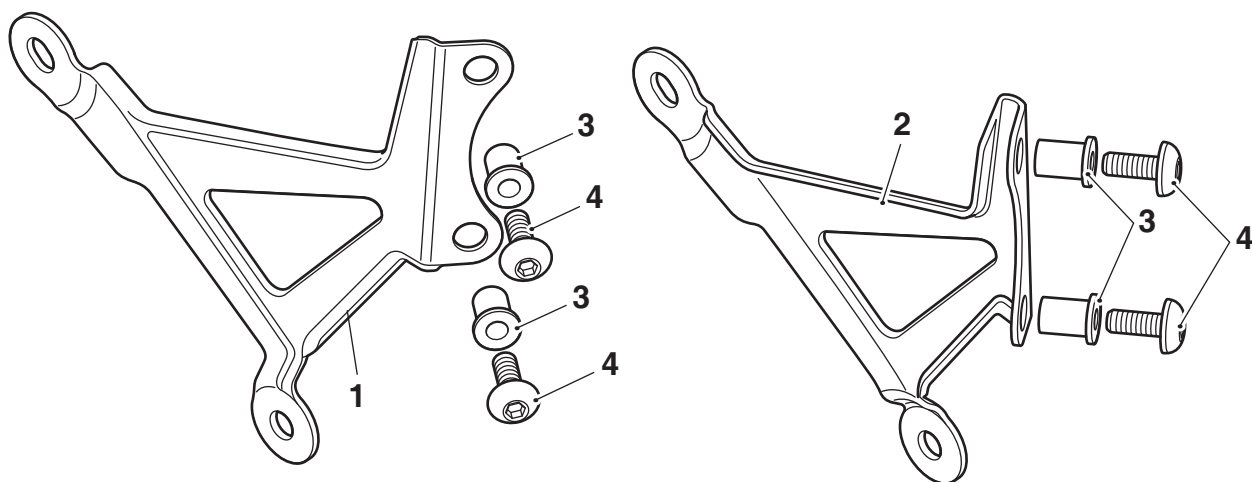
1. Mounting bracket, right hand	1 off	4. Fixing, M5 x 14 mm	4 off
2. Mounting bracket, left hand	1 off	5. Fixing, M6 x 12 mm A9708349 only	4 off
3. Well Nut, M5	4 off	6. Fixing, M5 x 10 mm A9708434 only	4 off

Parts Supplied: A9708302, A9708586



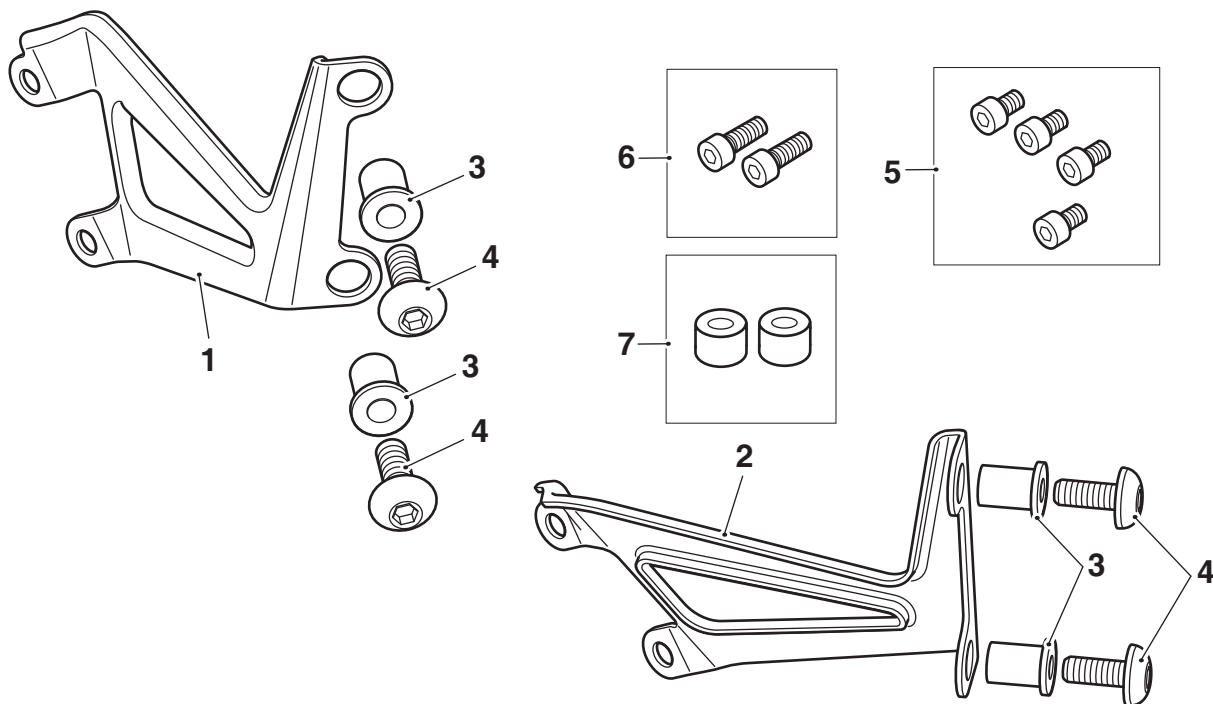
1. Mounting bracket, right hand	1 off	3. Well Nut, M5	4 off
2. Mounting bracket, left hand	1 off	4. Fixing, M5 x 14 mm	4 off

Parts Supplied: A9708131, A9708590



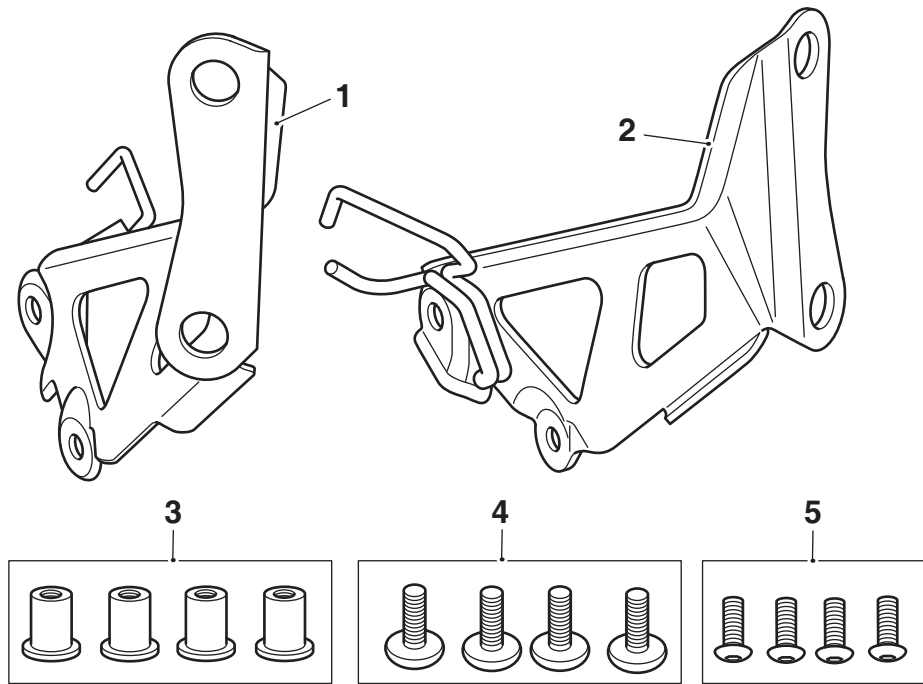
1. Mounting bracket, right hand	1 off	3. Well Nut, M5	4 off
2. Mounting bracket, left hand	1 off	4. Fixing, M5 x 14 mm	4 off

Parts Supplied: A9708506



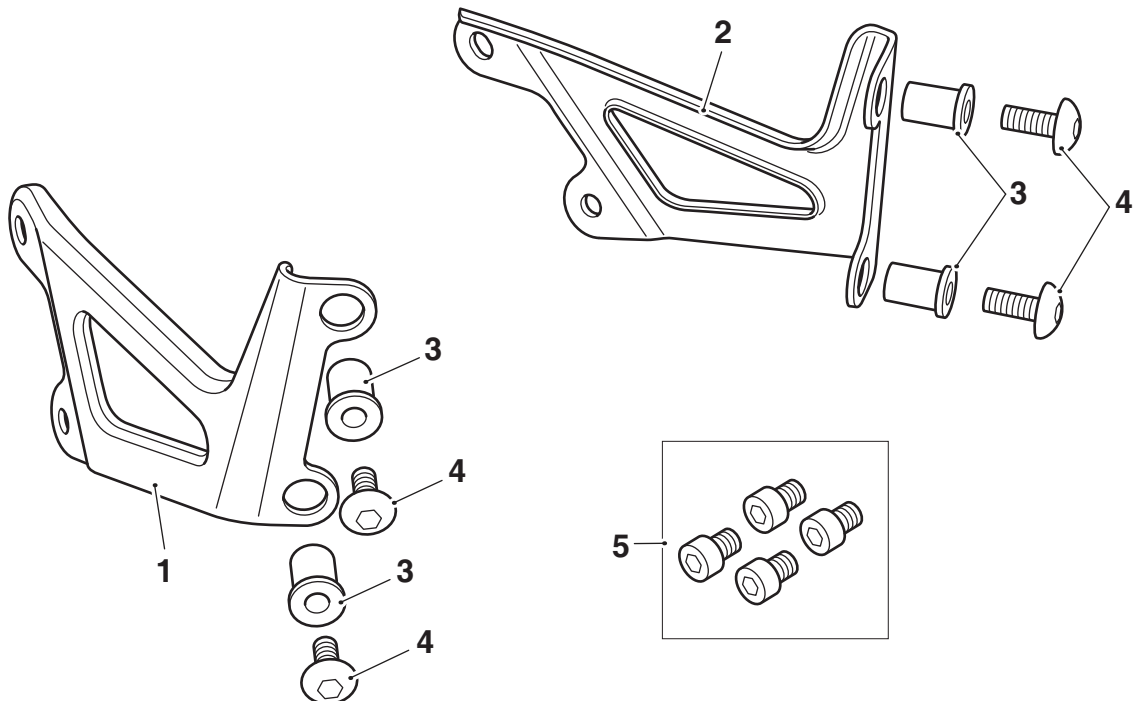
1.	Mounting bracket, right hand	1 off	5.	Fixing, M5 x 10 mm	4 off
2.	Mounting bracket, left hand	1 off	6.	Fixing, M5 x 16 mm (From VIN 914448 only)	2 off
3.	Well Nut, M5	4 off	7.	Spacer (From VIN 914448 only)	2 off
4.	Fixing, M5 x 14 mm	4 off			

Parts Supplied: A9701422, A9701549, A9701551



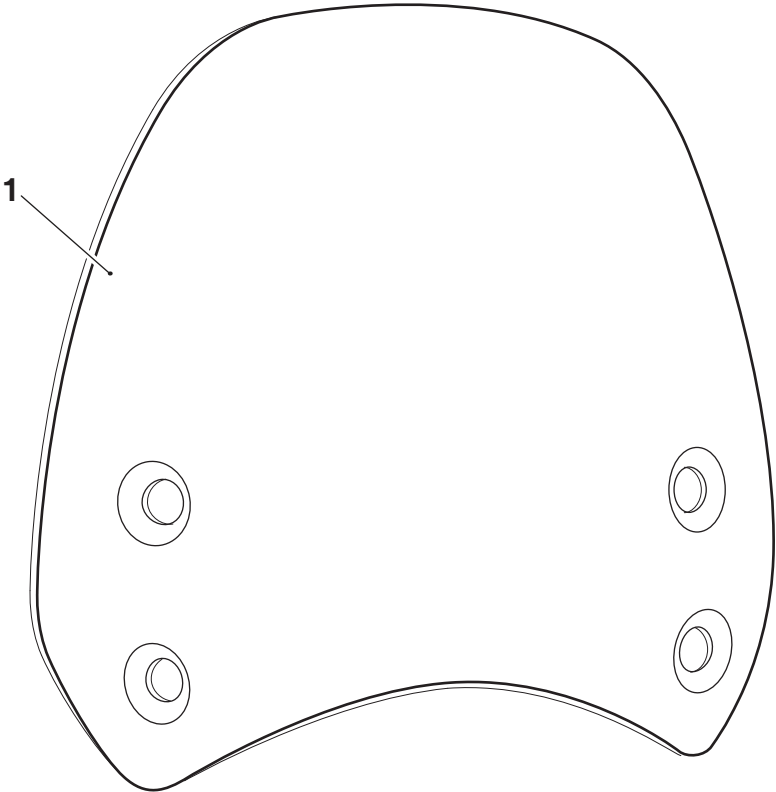
1. Mounting bracket, right hand	1 off	4. Fixing, M5 x 14 mm	4 off
2. Mounting bracket, left hand	1 off	5. Fixing, M5 x 12 mm	4 off
3. Well nut, M5	4 off		

Parts Supplied: A9708602, A9708610



1. Mounting bracket, right hand	1 off	4. Fixing, M5 x 14 mm	4 off
2. Mounting bracket, left hand	1 off	5. Fixing, M5 x 10 mm	4 off
3. Well nut, M5	4 off		

Parts Supplied: A9708151, A9708303, A9708381, A9708407, A9708408, A9708409



1. Flyscreen (A9708408 shown)	1 off		
-------------------------------	-------	--	--

Warning

Fit only genuine Triumph accessories to those models approved by Triumph as listed in the associated Triumph fitting instructions. The accessory kits covered in this instruction are designed for use on specific models of Triumph motorcycle. The accessory kits and the models applicable are listed at the start of the instruction. They should never be fitted to any other Triumph model or to any other manufacturer's motorcycle. Fitting an accessory kit to a Triumph model not listed, or to any other manufacturer's motorcycle will affect the performance, stability and handling of the motorcycle. This may affect the rider's ability to control the motorcycle and could result in an accident causing severe injuries or death.

Warning

Always have Triumph approved parts, accessories and conversions fitted by a trained technician of an authorised Triumph dealer. The fitment of parts, accessories and conversions by a technician who is not of an authorised Triumph dealer may affect the handling, stability or other aspects of the motorcycle's operation which may result in loss of motorcycle control and an accident.

Warning

Make sure the motorcycle is supported. A correctly supported motorcycle will help prevent it from falling. An unstable motorcycle may fall, causing injury to the operator or damage to the motorcycle.

Warning

A torque wrench of known accurate calibration must be used when fitting this accessory kit. Failure to tighten any of the fasteners to the correct torque specification may affect motorcycle performance, handling and stability. This may result in loss of motorcycle control and an accident.

Note:

- Triumph offers a broad range of approved genuine accessories for your motorcycle. We cannot therefore cover all possible equipment variations in these instructions. For removal and installation of Triumph Genuine Accessories, always refer to the instructions supplied with the respective accessory kit. To obtain additional copies of any Triumph accessory instructions, visit www.triumphinstructions.com or contact your authorised Triumph dealer.

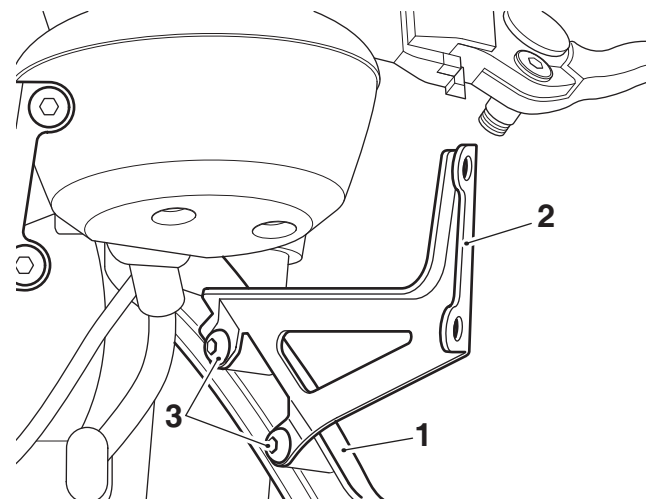
Flyscreen Mounting Kit Installation

All Models

- Remove the seat, as described in the Service Manual.
- Disconnect the battery as described in the Service Manual.
- Remove the headlight assembly, as described in the Service Manual.

Street Twin Models up to VIN AE3381 with Euro 4 engine ECM

- Locate the left hand flyscreen mounting bracket on the left hand headlight bracket and align the fixing positions. Fit two M6 x 12 mm fixings from the kit. Tighten the fixings to 5 Nm.

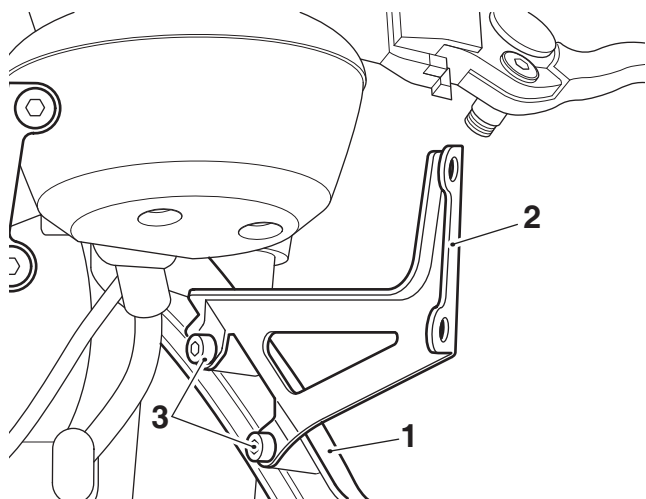


- Headlight bracket
- Flyscreen mounting bracket
- Fixing, M6 x 12 mm

- Repeat step 4 for the right hand side.
- Refit the headlight, as described in the Service Manual.

Street Twin Models from VIN AB9715 and Speed Twin 900 Models with Euro 5 engine ECM, Street Scrambler Models up to VIN 910740, Street Scrambler Models from VIN AB9837 and Scrambler 900 Models with Euro 5 engine ECM

7. Locate the left hand flyscreen mounting bracket on the left hand headlight bracket and align the fixing positions. Fit two M5 x 10 mm fixings from the kit. Tighten the fixings to **3 Nm**.

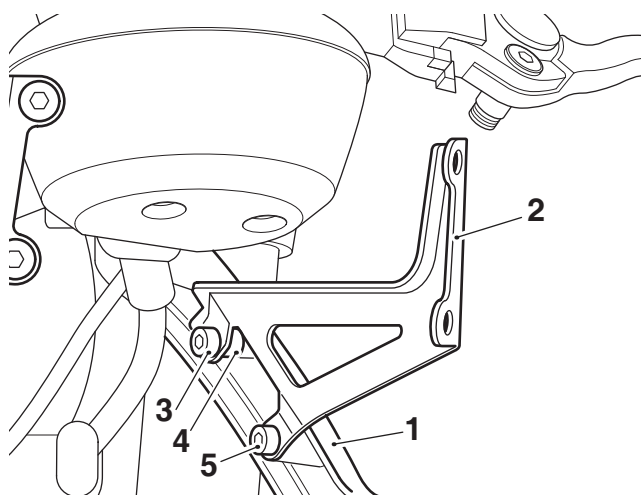


1. Headlight bracket
2. Flyscreen mounting bracket
3. Fixings, M5 x 10 mm

8. Repeat step 7 for the right hand side.
9. Refit the headlight, as described in the Service Manual.

Street Scrambler Models from VIN 914448 up to VIN AE9847 with Euro 4 engine ECM

10. Locate the left hand flyscreen mounting bracket on the left hand headlight bracket and align the fixing positions. Fit an M5 x 16 mm fixing from the kit through the upper fixing position and fit a spacer from the kit between the flyscreen mounting bracket and headlight mounting bracket, as shown. Fit an M5 x 10 mm fixing to the lower fixing position. Tighten the fixings to **3 Nm**.

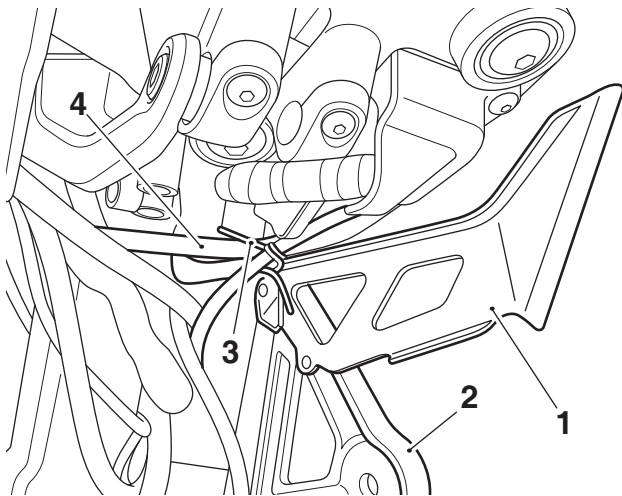


1. Headlight bracket
2. Flyscreen mounting bracket
3. Fixing, M5 x 16 mm
4. Spacer
5. Fixing, M5 x 10 mm

11. Repeat step 10 for the right hand side.
12. Refit the headlight, as described in the Service Manual.

Scrambler 1200 XC, Scrambler 1200 XE Models

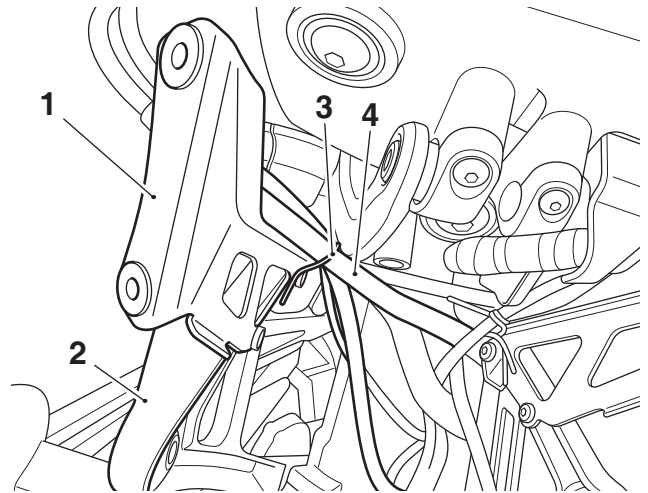
13. Release all harnesses and hoses from the cable guide on the left hand headlight mounting bracket.
14. Remove the cable guide from the left hand headlight mounting bracket. Retain the cable guide and fixings for reuse if the motorcycle is to be returned to its original condition.
15. Collect the left hand bracket from the kit and orientate the bracket as shown. Before aligning the flyscreen mounting bracket fixing positions with the headlight mounting bracket feed all harnesses and hoses through the cable guide on the bracket.



1. Flyscreen mounting bracket
2. Headlight mounting bracket
3. Cable guide
4. Switch housing harnesses

16. Locate the left hand flyscreen mounting bracket on the left hand headlight bracket and align the fixing positions. Fit two M5 x 12 mm fixings from the kit. Tighten the fixings to **3 Nm**.

17. Repeat step 15 and 16 for the right hand side.



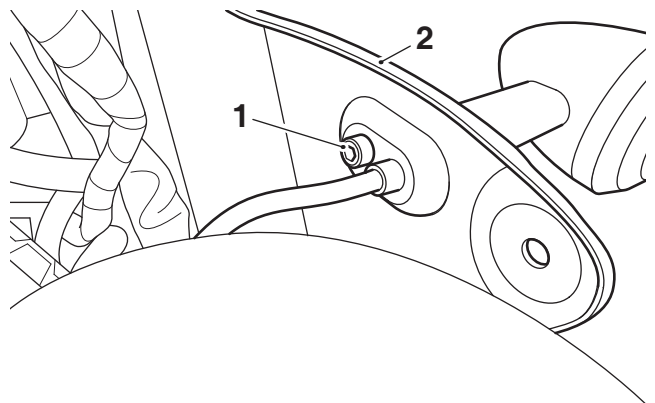
1. Flyscreen mounting bracket
2. Headlight mounting bracket
3. Cable guide
4. Switch housing harnesses

18. Refit the headlight, as described in the Service Manual.

Bonneville Models

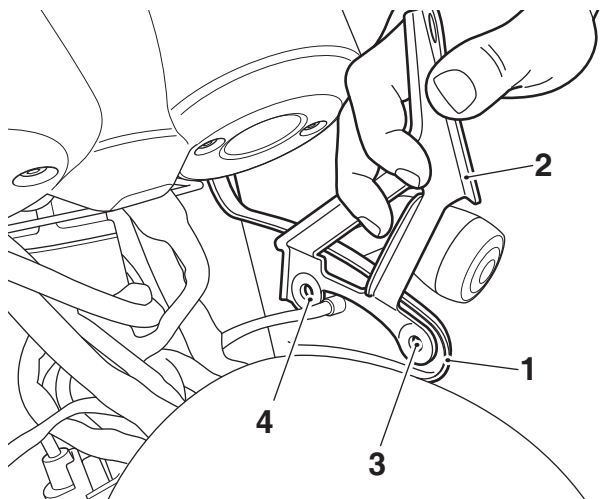
Note:

- When removing the direction indicator fixing, if there is a washer used with the fixing the washer should be removed and retained for reuse if the motorcycle is to be returned to its original condition.
19. Remove the left hand direction indicator fixing. Retain the fixing for reuse.



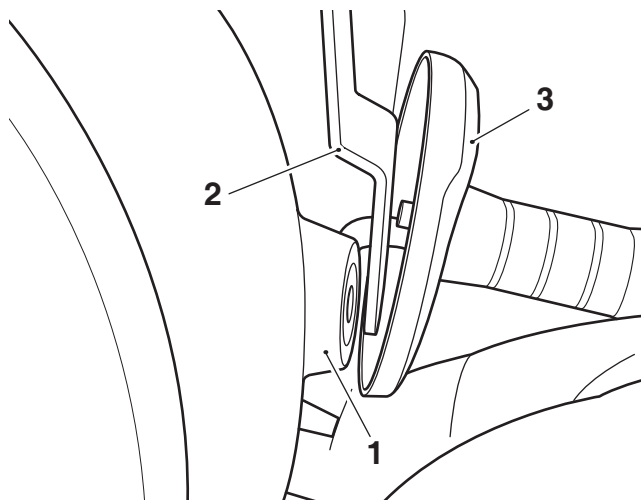
1. Direction indicator fixing
2. Headlight bracket

20. Locate the left hand flyscreen mounting bracket on the left hand headlight bracket and align the fixing holes with the direction indicator and headlight fixing positions.



1. Headlight bracket
2. Flyscreen mounting bracket
3. Headlight fixing position
4. Direction indicator fixing position

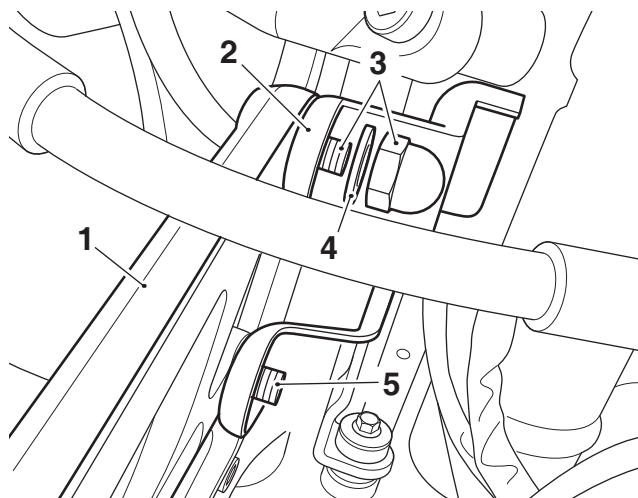
21. Refit the direction indicator fixing. Tighten the fixing to **3 Nm**.
22. Repeat steps 19 to 21 for the right hand side.
23. Refit the headlight, as described in the Service Manual. The flyscreen mounting brackets should be positioned as shown.



1. Headlight
2. Flyscreen mounting bracket
3. Headlight bracket

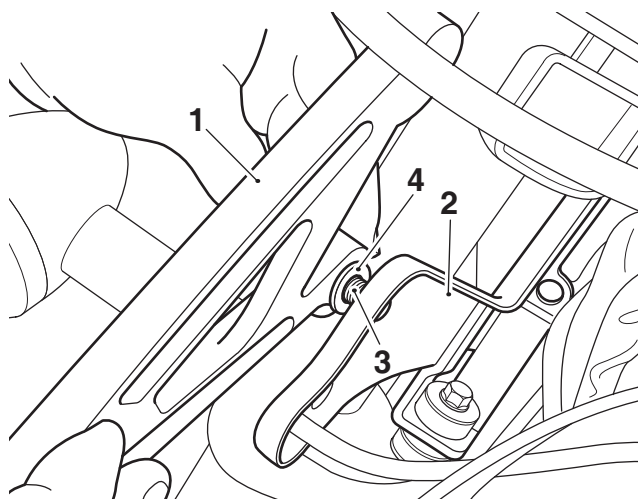
Thruxton Models

24. Remove the right hand side headlight bracket top and lower fixings and remove the headlight bracket from the sub-frame. Retain the fixings for reuse.



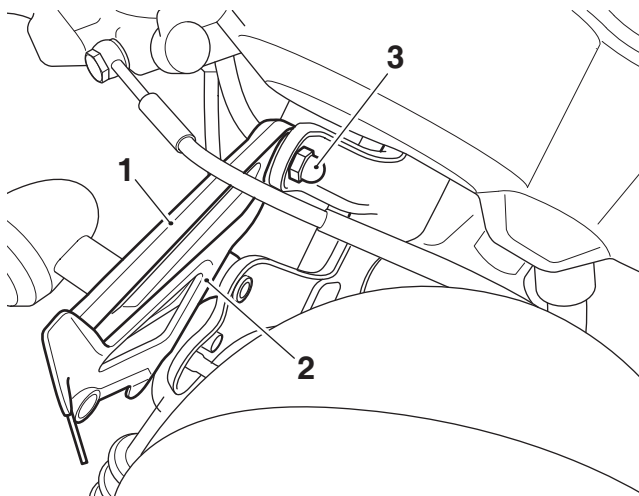
1. Headlight bracket
2. Sub-frame
3. Top fixings
4. Washer
5. Lower fixing

25. Refit the headlight bracket lower fixing with the original washer removed from the top fixing. Position the washer between the headlight bracket and sub-frame, as shown. Do not fully tighten the fixing at this stage.



1. Headlight bracket
2. Sub-frame
3. Fixing
4. Washer

26. Locate the flyscreen mounting bracket onto the headlight bracket and align the top fixing position. Refit the original fixings.



1. Headlight bracket
2. Flyscreen bracket
3. Fixings

27. Ensure the flyscreen bracket front fixing position is aligned with the headlight fixing position on the headlight bracket.
28. Tighten the top and lower headlight bracket fixings to **24 Nm**.
29. Repeat steps 24 to 28 for the left hand side.
30. Refit the headlight, as described in the Service Manual.

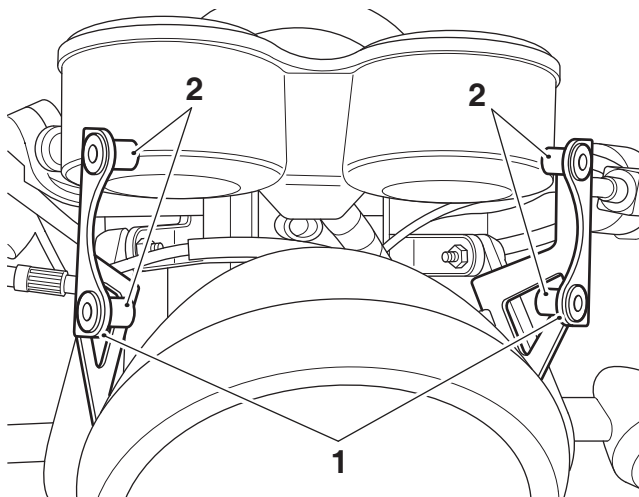
Flyscreen Fitment, All Models



Caution

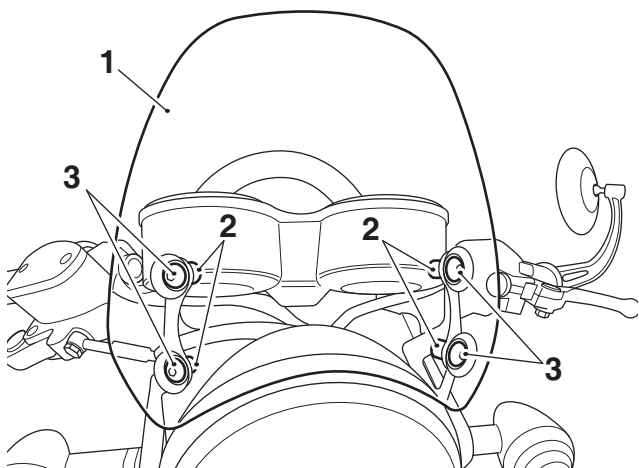
Care must be taken when fitting the new flyscreen. Damage to the flyscreen surfaces could result from inadequate care during the assembly process.

31. Collect the four Well Nuts from the kit and fit them in to the flyscreen mounting brackets, as shown.



1. Flyscreen bracket
2. Well Nut

32. Align the flyscreen fixing holes with the Well Nuts in the mounting brackets and fit the M5 x 14 mm fixings. Tighten the fixings to **1.5 Nm**.



1. Flyscreen
2. Well Nut
3. Fixing, M5 x 14 mm

33. Reconnect the battery as described in the Service Manual.
34. Adjust the alignment of the headlight, as described in the Service Manual.

35. Refit the seat, as described in the Service Manual.



Warning

After fitting the flyscreen the motorcycle will exhibit new handling characteristics. Operate the motorcycle in a safe area free from traffic to gain familiarity with any new characteristics. Operation of the motorcycle when not familiar with any new handling characteristics may result in loss of motorcycle control and an accident.



Warning

Never attempt to clean the flyscreen while riding the motorcycle. Removal of the rider's hands from the handlebars while riding the motorcycle will diminish the ability of the rider to maintain control of the motorcycle. Attempting to clean the flyscreen while riding the motorcycle may result in loss of motorcycle control and an accident.



Warning

The flyscreen is not a substitute for a safety helmet or eye protection. Flyscreens are designed to provide wind protection and increased riding comfort. They are not designed to provide protection in the event of a collision with another vehicle, the road, birds or any other object. When riding a motorcycle both rider and passenger must always wear a safety helmet, eye protection, gloves and trousers (close fitting around the knees and ankle). Although full protection is not possible, wearing correct protective clothing can reduce the risk of injury when riding.



Warning

If, after fitting this accessory kit, you have any doubt about the performance of any aspect of the motorcycle, contact an authorised Triumph dealer and do not ride the motorcycle until the authorised dealer has declared it fit for use. Riding a motorcycle when there is any doubt as to any aspect of the performance of the motorcycle may result in loss of motorcycle control and an accident.



Warning

Never ride an accessory-equipped motorcycle at speeds above 80 mph (130 km/h).

The presence of accessories will cause changes in the stability and handling of the motorcycle. Failure to allow for changes in motorcycle stability may result in loss of motorcycle control and an accident.

Remember that the 80 mph (130 km/h) limit will be reduced by the fitting of non-approved accessories, incorrect loading, worn tyres, overall motorcycle condition and poor road or weather conditions.



Warning

The motorcycle must not be operated above the legal road speed limit except in closed-course conditions.



Warning

Only operate this Triumph motorcycle at high speed in closed-course, on-road competition or on closed-course racetracks. High-speed operation should only be attempted by riders who have been instructed in the techniques necessary for high-speed riding and are familiar with the motorcycle's characteristics in all conditions.

High-speed operation in any other circumstances is dangerous and may result in loss of motorcycle control and an accident.