



Accessory Fitting Instructions

Flyscreen Visor Kit	
Kit Number	Models Affected
A9708525	Speed Triple 1200 RS, Street Triple R from VIN BF1297, Street Triple RS from VIN BF1297, Street Triple RS Moto2™

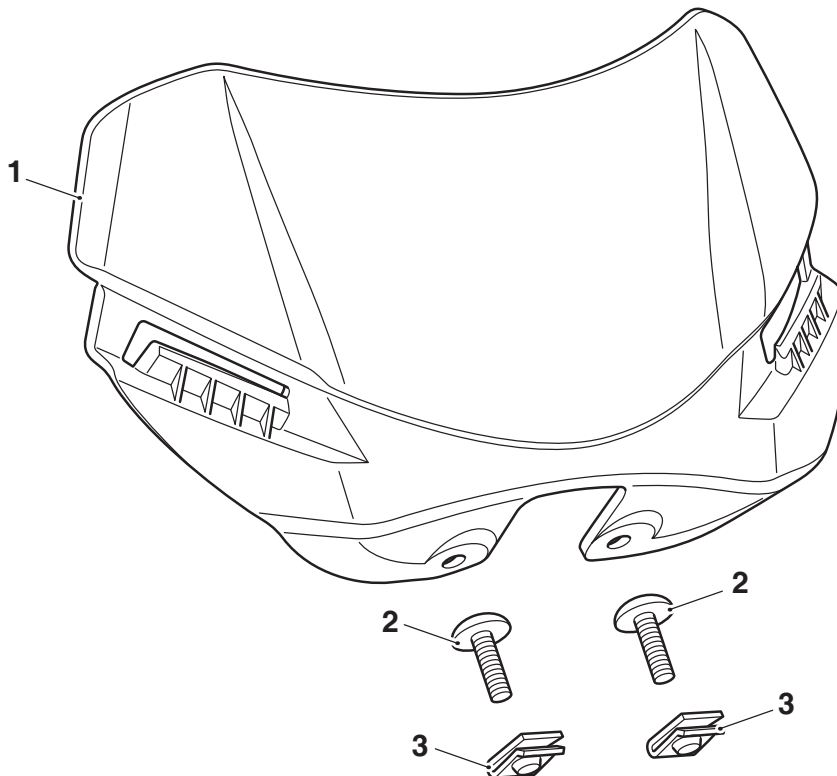
Note:

- **The Flyscreen Visor Kit can only be fitted to motorcycles that have an accessory Flyscreen Kit fitted.**

Completely read all of these instructions before commencing the installation of the accessory kit in order to become thoroughly familiar with the kit's features and the installation process.

These instructions should be considered a permanent part of your accessory kit, and should remain with it even if your accessory equipped motorcycle is subsequently sold.

Parts Supplied:



1. Flyscreen visor	1 off	3. Captive nut	2 off
2. Fixing, M5 x 16 mm	2 off		

Warning

Fit only genuine Triumph accessories to those models approved by Triumph as listed in the associated Triumph fitting instructions. The accessory kits covered in this instruction are designed for use on specific models of Triumph motorcycle. The accessory kits and the models applicable are listed at the start of the instruction. They should never be fitted to any other Triumph model or to any other manufacturer's motorcycle. Fitting an accessory kit to a Triumph model not listed, or to any other manufacturer's motorcycle will affect the performance, stability and handling of the motorcycle. This may affect the rider's ability to control the motorcycle and could result in an accident causing severe injuries or death.

Warning

Always have Triumph approved parts, accessories and conversions fitted by a trained technician of an authorised Triumph dealer. The fitment of parts, accessories and conversions by a technician who is not of an authorised Triumph dealer may affect the handling, stability or other aspects of the motorcycle's operation which may result in loss of motorcycle control and an accident.

Warning

Make sure the motorcycle is supported. A correctly supported motorcycle will help prevent it from falling. An unstable motorcycle may fall, causing injury to the operator or damage to the motorcycle.

Warning

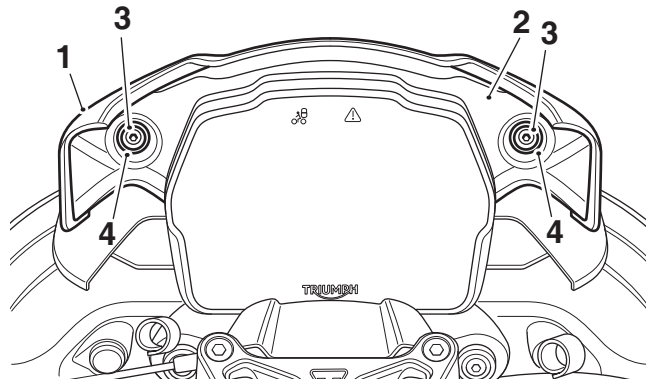
A torque wrench of known accurate calibration must be used when fitting this accessory kit. Failure to tighten any of the fasteners to the correct torque specification may affect motorcycle performance, handling and stability. This may result in loss of motorcycle control and an accident.

Note:

- Triumph offers a broad range of approved genuine accessories for your motorcycle. We cannot therefore cover all possible equipment variations in these instructions. For removal and installation of Triumph Genuine Accessories, always refer to the instructions supplied with the respective accessory kit. To obtain additional copies of any Triumph accessory instructions, visit www.triumphinstructions.com or contact your authorised Triumph dealer.

All Models

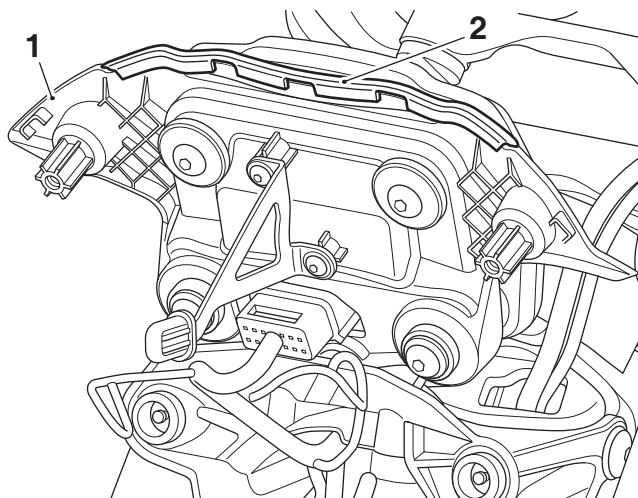
- Remove the two flyscreen fixings and washers and remove the flyscreen from the fascia panel. Retain the flyscreen, fixings and washers for reuse.



1. Flyscreen
2. Fascia panel
3. Fixings
4. Washers

Speed Triple 1200 RS Models Only

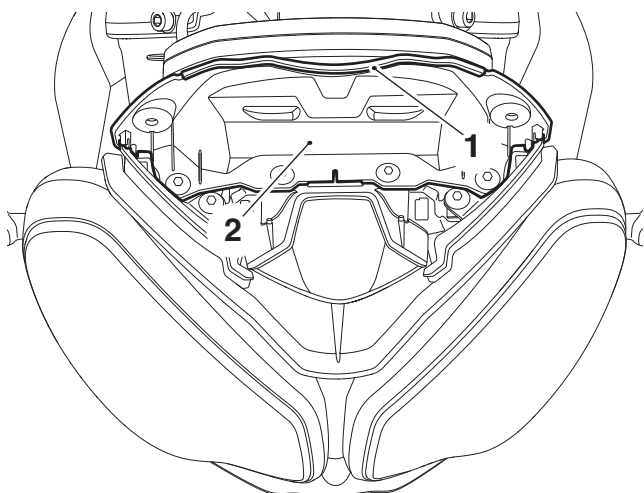
2. Remove the rubber trim piece from the top edge of the fascia panel. Retain the rubber trim piece for reuse if the flyscreen visor is removed.



1. Fascia panel
2. Rubber trim

Street Triple R from VIN BF1297, Street Triple RS from VIN BF1297, Street Triple RS Moto2™ Models Only

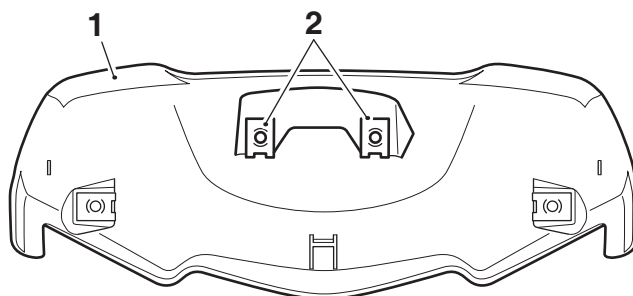
3. Remove the rubber infill trim from the flyscreen fascia. Retain the rubber trim piece for reuse if the flyscreen visor is removed.



1. Rubber infill trim
2. Flyscreen fascia

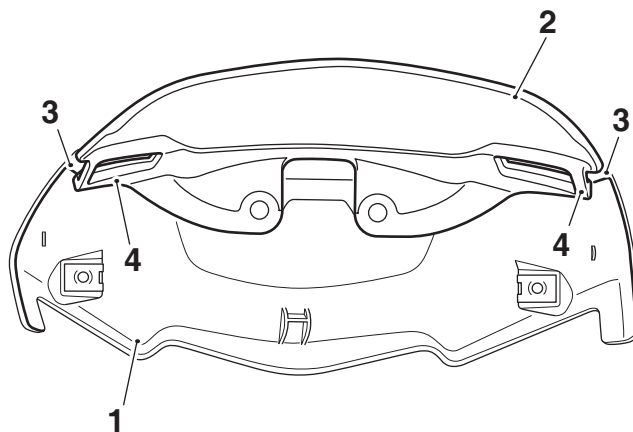
All Models

4. Fit the two captive nuts from the kit onto the rear of the flyscreen in the positions and orientation shown below.



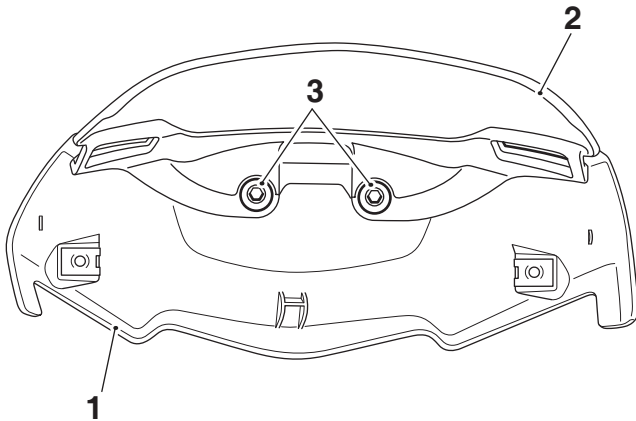
1. Flyscreen
2. Captive nuts

5. Fit the flyscreen visor on to the flyscreen, aligning the two fixing holes with the captive nuts on the flyscreen. Make sure the retaining tabs on the flyscreen visor locate correctly under the lip on the top of the flyscreen, as shown.



1. Flyscreen
2. Flyscreen visor
3. Lip
4. Retaining tabs

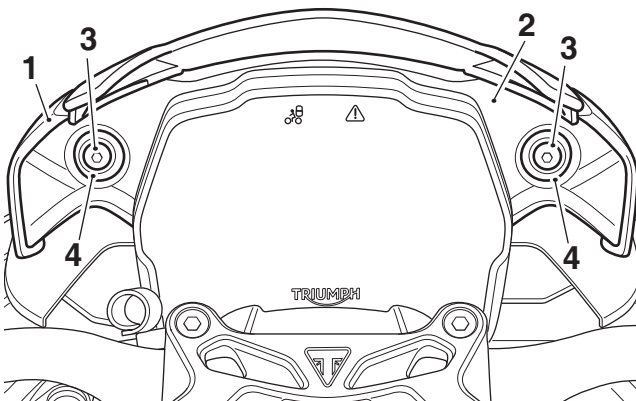
- Fit the two M5 x 16 mm fixings from the kit to secure the flyscreen visor to the flyscreen as shown. Tighten the fixings to **5 Nm**.



- Flyscreen
- Flyscreen visor
- Fixings, M5 x 16 mm

Speed Triple 1200 RS Models Only

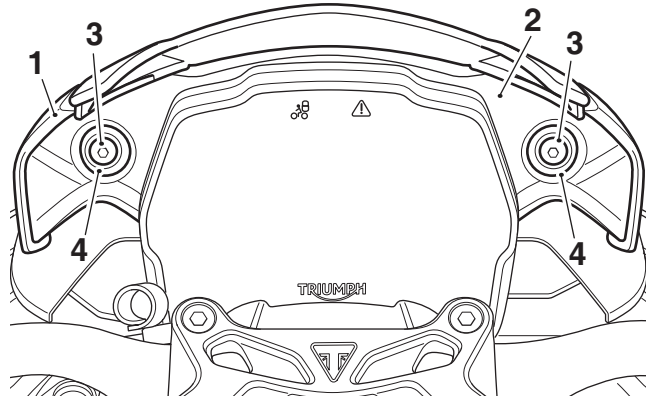
- Refit the flyscreen on to the fascia panel making sure the rubber boot on the mounting bracket locates correctly into the slot on the flyscreen. Secure with the original fixings and washers. Tighten the fixings to **3 Nm**.



- Flyscreen
- Fascia panel
- Fixings
- Washers

Street Triple R from VIN BF1297, Street Triple RS from VIN BF1297, Street Triple RS Moto2™ Models Only

- Refit the flyscreen onto the fascia panel. Secure with the original fixings and washers. Tighten the fixings to **3 Nm**.



- Flyscreen
- Fascia panel
- Fixings
- Washers



Warning

The flyscreen is not a substitute for a safety helmet or eye protection. Flyscreens are designed to provide wind protection and increased riding comfort. They are not designed to provide protection in the event of a collision with another vehicle, the road, birds or any other object. When riding a motorcycle both rider and passenger must always wear a safety helmet, eye protection, gloves and trousers (close fitting around the knees and ankle). Although full protection is not possible, wearing correct protective clothing can reduce the risk of injury when riding.



Warning

Never attempt to clean the flyscreen while riding the motorcycle. Removal of the rider's hands from the handlebars while riding the motorcycle will diminish the ability of the rider to maintain control of the motorcycle. Attempting to clean the flyscreen while riding the motorcycle may result in loss of motorcycle control and an accident.

 **Warning**

After fitting the flyscreen the motorcycle will exhibit new handling characteristics. Operate the motorcycle in a safe area free from traffic to gain familiarity with any new characteristics. Operation of the motorcycle when not familiar with any new handling characteristics may result in loss of motorcycle control and an accident.

 **Warning**

If, after fitting this accessory kit, you have any doubt about the performance of any aspect of the motorcycle, contact an authorised Triumph dealer and do not ride the motorcycle until the authorised dealer has declared it fit for use. Riding a motorcycle when there is any doubt as to any aspect of the performance of the motorcycle may result in loss of motorcycle control and an accident.

 **Warning**

Never ride an accessory-equipped motorcycle at speeds above 80 mph (130 km/h).
The presence of accessories will cause changes in the stability and handling of the motorcycle. Failure to allow for changes in motorcycle stability may result in loss of motorcycle control and an accident.
Remember that the 80 mph (130 km/h) limit will be reduced by the fitting of non-approved accessories, incorrect loading, worn tyres, overall motorcycle condition and poor road or weather conditions.

 **Warning**

The motorcycle must not be operated above the legal road speed limit except in closed-course conditions.

 **Warning**

Only operate this Triumph motorcycle at high speed in closed-course, on-road competition or on closed-course racetracks. High-speed operation should only be attempted by riders who have been instructed in the techniques necessary for high-speed riding and are familiar with the motorcycle's characteristics in all conditions.
High-speed operation in any other circumstances is dangerous and may result in loss of motorcycle control and an accident.