



## Accessory Fitting Instructions

| <b>Fender Removal Kit</b>                            |   |
|--|---|
| <b>Kit Number</b>                                    | <b>Models Affected</b>  |
| A9708393   | Street Twin up to VIN AE3381 with Euro 4 engine ECM (see page 2), Street Cup, Street Scrambler up to VIN AE9847 with Euro 4 engine ECM (see page 2), Bonneville T100 from VIN 759204 up to VIN AD4189 with Euro 4 engine ECM (see page 2), Bonneville T120 up to VIN AE2212 with Euro 4 engine ECM (see page 2), Bonneville T120 Black up to VIN AE3661 with Euro 4 engine ECM (see page 2)     |
| A9708436   | Street Twin up to VIN AE3381 with Euro 4 engine ECM (see page 2), Street Cup, Street Scrambler up to VIN AE9847 with Euro 4 engine ECM (see page 2), Bonneville T100 from VIN 759204 up to VIN AD4189 with Euro 4 engine ECM (see page 2), Bonneville T120 up to VIN AE2212 with Euro 4 engine ECM (see page 2), Bonneville T120 Black up to VIN AE3661 with Euro 4 engine ECM (see page 2)     |
| A9708528<br>A9708538                                 | Street Twin from VIN AB9715 and Speed Twin 900 with Euro 5 engine ECM (see page 2), Street Scrambler from VIN AB9837 and Scrambler 900 with Euro 5 engine ECM (see page 2), Bonneville T100 from VIN AC5927 with Euro 5 engine ECM (see page 2), Bonneville T120 from VIN AC6130 with Euro 5 engine ECM (see page 2), Bonneville T120 Black from VIN AD0139 with Euro 5 engine ECM (see page 2) |
| <b>Multi-Function Light, Fender Removal Kit</b>      |   |
| <b>Kit Number</b>                                    | <b>Models Affected</b>  |
| A9708499   | Street Twin up to VIN AE3381 with Euro 4 engine ECM (see page 2), Street Scrambler up to VIN AE9847 with Euro 4 engine ECM (see page 2)   |
| A9708529<br>A9708539                                 | Street Twin from VIN AB9715 and Speed Twin 900 with Euro 5 engine ECM (see page 2), Street Scrambler from VIN AB9837 and Scrambler 900 with Euro 5 engine ECM (see page 2), Bonneville T100 from VIN AC5927 with Euro 5 engine ECM (see page 2), Bonneville T120 from VIN AC6130 with Euro 5 engine ECM (see page 2), Bonneville T120 Black from VIN AD0139 with Euro 5 engine ECM (see page 2) |
| <b>Multi-Function Light, Fender Removal Kit - US</b> |   |
| <b>Kit Number</b>                                    | <b>Models Affected</b>  |
| A9708521   | Street Twin up to VIN AE3381 with Euro 4 engine ECM (see page 2), Street Scrambler up to VIN AE9847 with Euro 4 engine ECM (see page 2)   |
| <b>Multi-Function Light Kit</b>                      |   |
| <b>Kit Number</b>                                    | <b>Models Affected</b>  |
| A9838056   | Street Twin, Speed Twin 900, Street Scrambler, Scrambler 900  |
| A9830140   | Street Twin, Speed Twin 900, Street Scrambler, Scrambler 900, Bonneville T100, Bonneville T120, Bonneville T120 Black   |

**Note:**

- The Fender Removal Kit must not be fitted to motorcycles fitted with any grab rail, luggage rack, top box mounts or pannier mounts.
- When fitting a Fender Removal Kit to Bonneville T100 and Bonneville T120 models, an accessory bench seat must first be fitted.
- The Multi-function lamp, Fender Removal Kit A9708499, A9708529, A9708539 must be fitted together with the Multi-function Lamp Kit A9830140. Failure to do so will render the motorcycle illegal for road use.
- The Multi-function lamp, Fender Removal Kit A9708521 must be fitted together with the Multi-function Lamp Kit A9838056. Failure to do so will render the motorcycle illegal for road use.
- The Multi-function Lamp Kits A9838056 and A9830140 must be fitted with LED indicators A9838023 or A9838028.
- For motorcycles registered in Japan, Taiwan, Brazil and Australia an accessory Adaptor Plate Kit A9708468 must be used when fitting a Fender Removal Kit.

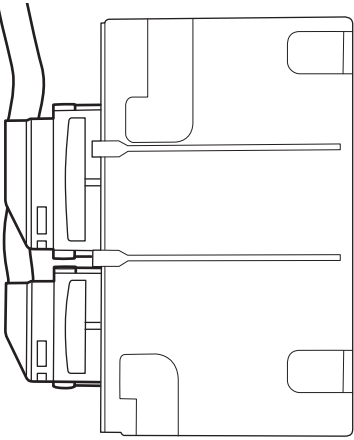
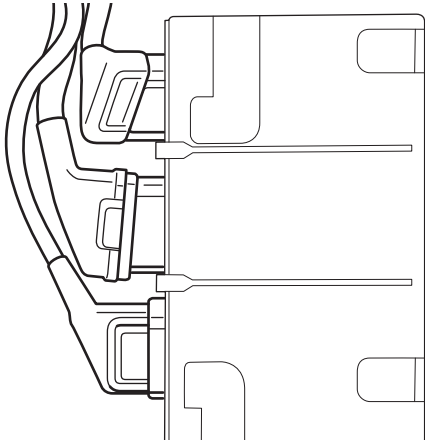
Thank you for choosing this Triumph genuine accessory kit. This accessory kit is the product of Triumph's use of proven engineering, exhaustive testing, and continuous striving for superior reliability, safety and performance.

Completely read all of these instructions before commencing the installation of the accessory kit in order to become thoroughly familiar with the kit's features and the installation process.

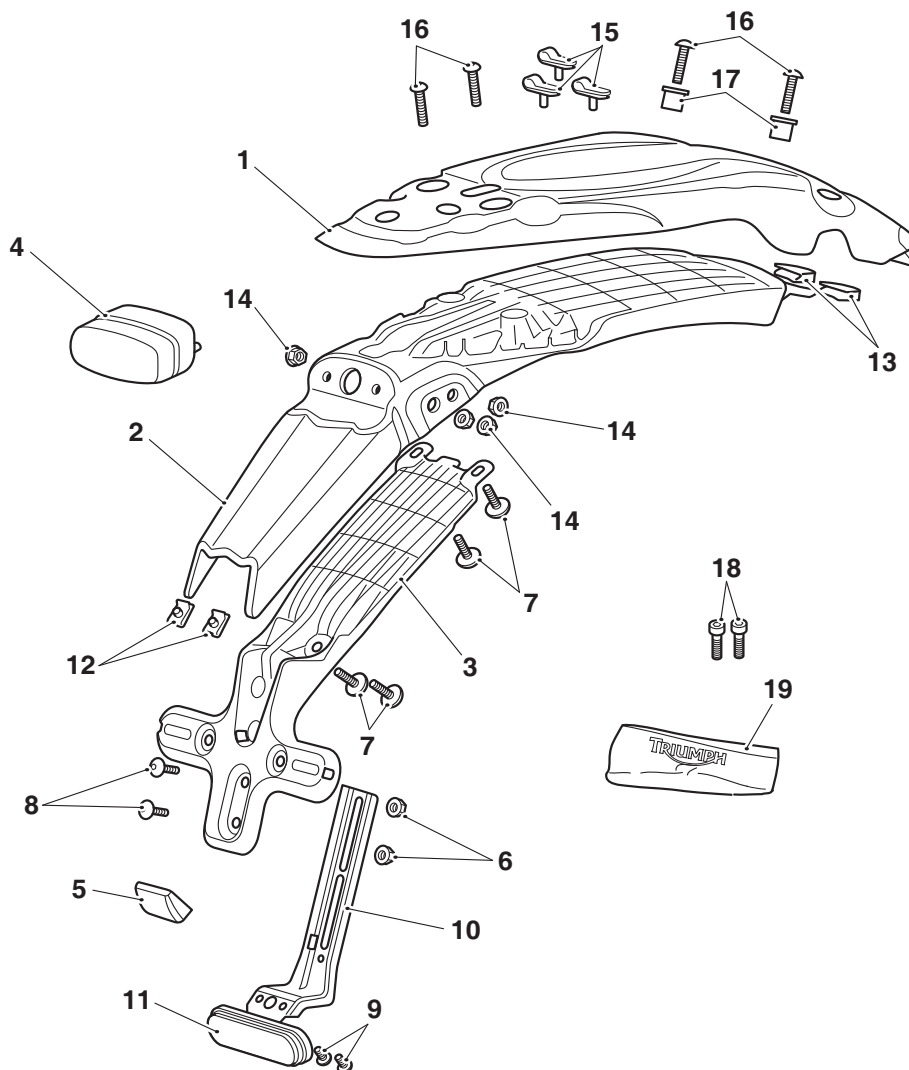
These instructions should be considered a permanent part of your accessory kit, and should remain with it even if your accessory equipped motorcycle is subsequently sold.

**Note:**

- The engine ECM is located under the seat.

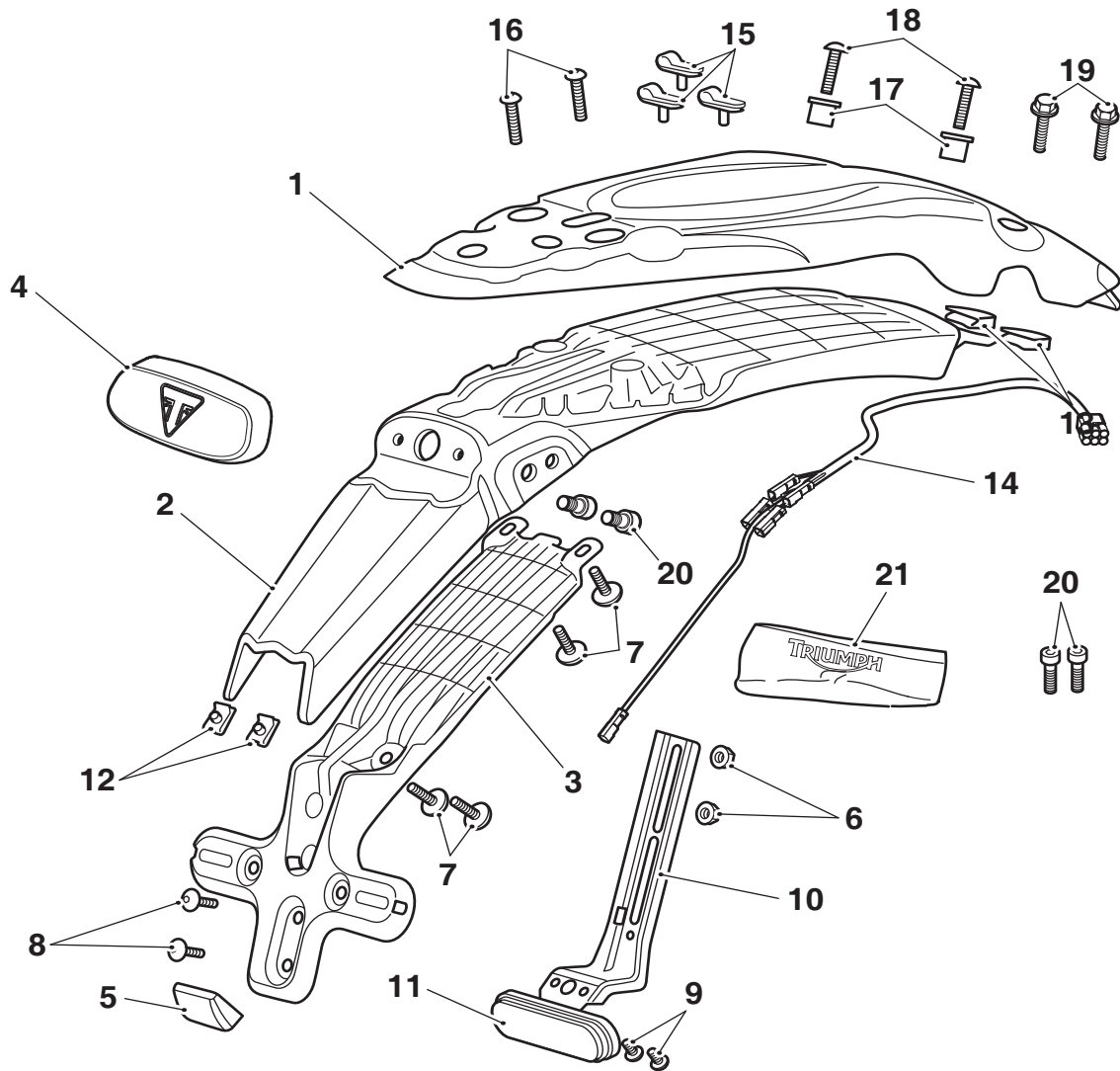
| Engine ECM Identification   |  |
|---|--|
| Euro 4 ECM  | Euro 5 ECM   |
|  |  |
| Two connectors  | Three connectors   |

Parts Supplied: A9708393, A9708436, A9708528, A9708538



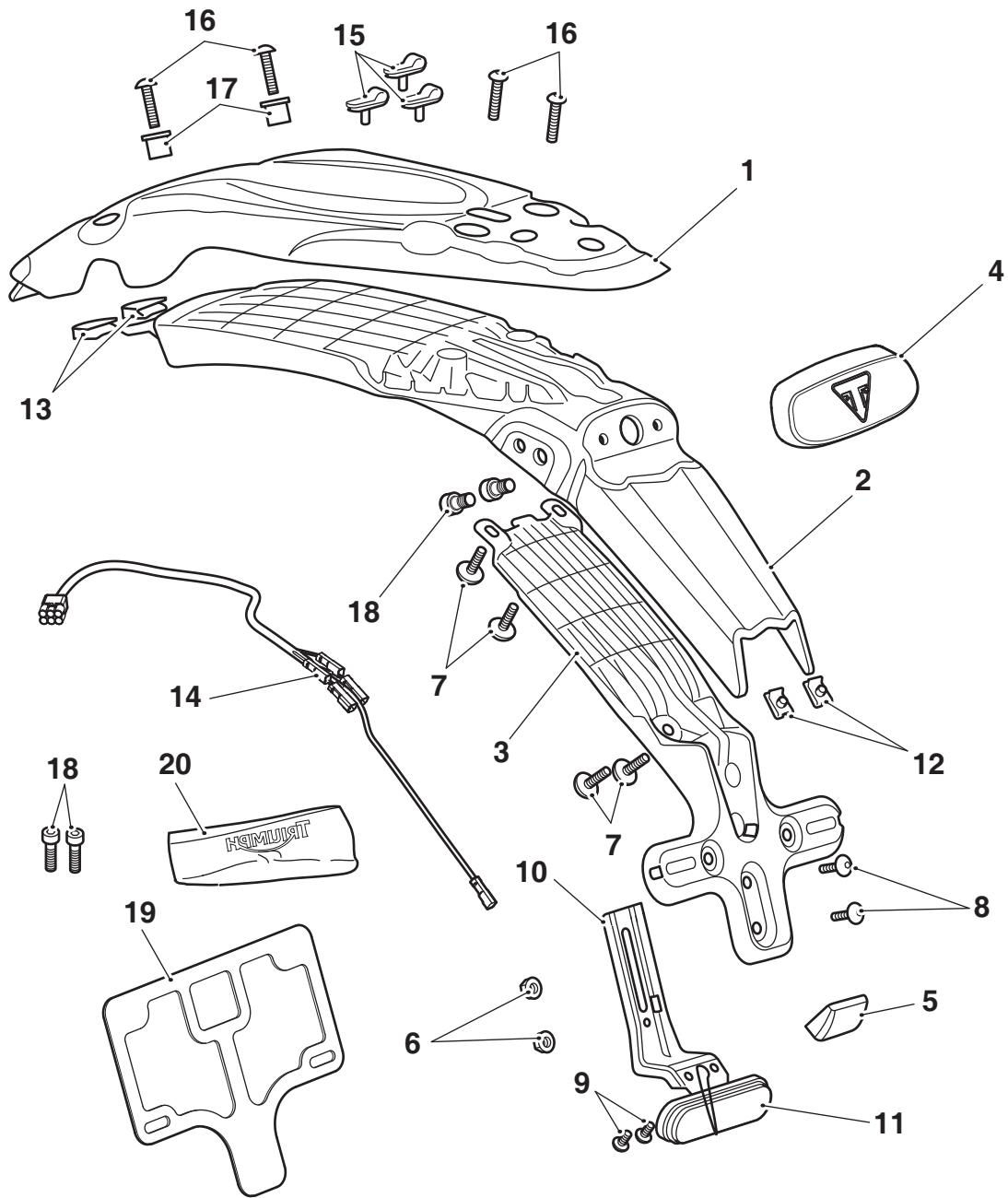
|                                     |       |   |       |
|-------------------------------------|-------|---|-------|
| 1. Mudguard                         | 1 off | 12. Captive nut, M5   | 2 off |
| 2. Support moulding                 | 1 off | 13. Captive nut, M6   | 2 off |
| 3. Licence plate hanger             | 1 off | 14. Lock nut, M6  | 4 off |
| 4. Rear light, LED                  | 1 off | 15. Cable clip  | 3 off |
| 5. Licence plate light, LED         | 1 off | 16. Screw, M6 x 25 mm (encapsulated)<br>A9708393, A9708346 only                       | 4 off |
| 6. Lock nut, M5                     | 2 off | 17. Flanged sleeve  | 2 off |
| 7. Screw, M5 x 14 mm (encapsulated) | 4 off | 18. Screw, M6 x 27 mm button head<br>(encapsulated)<br>A9708528, A9708538 only        | 2 off |
| 8. Screw, M5 x 12 mm                | 2 off | 19. Screw, M6 x 25 mm hexagon head<br>black (encapsulated)<br>A9708528, A9708538 only | 2 off |
| 9. Screw, M4 x 5 mm                 | 2 off | 20. Screw, M6 x 12 mm, (encapsulated)<br>(not included in all kits)                   | 2 off |
| 10. Bracket, reflector              | 1 off | 21. Cleaning wipe   | 1 off |
| 11. Reflector                       | 1 off |   |       |

Parts Supplied: A9708499, A9708529, A9708539

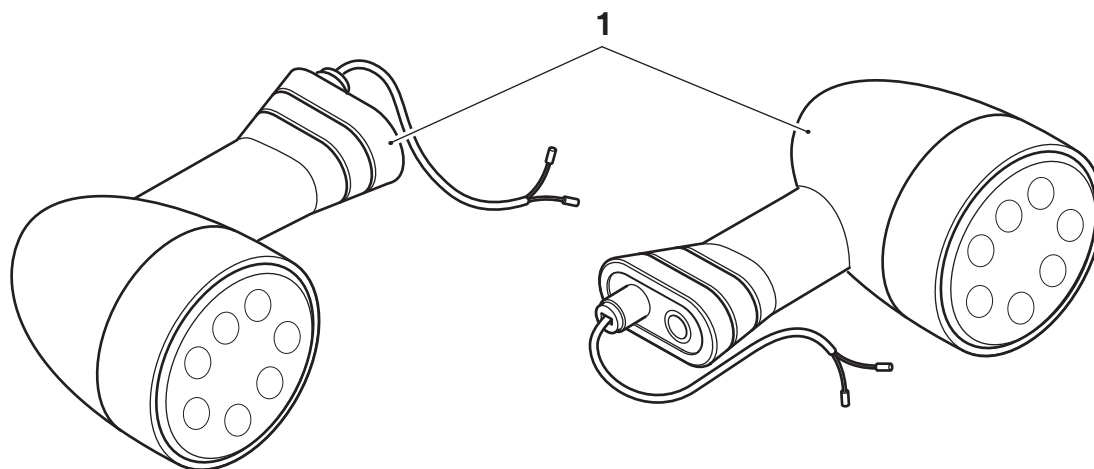


|     |                                  |       |     |   |       |
|-----|----------------------------------|-------|-----|---|-------|
| 1.  | Mudguard                         | 1 off | 12. | Captive nut, M5   | 2 off |
| 2.  | Support moulding                 | 1 off | 13. | Captive nut, M6   | 2 off |
| 3.  | Licence plate hanger             | 1 off | 14. | Multi-function harness  | 1 off |
| 4.  | Finisher                         | 1 off | 15. | Cable clip  | 3 off |
| 5.  | Licence plate light, LED         | 1 off | 16. | Screw, M6 x 25 mm (encapsulated)<br>A9708499 only                                 | 4 off |
| 6.  | Lock nut, M5                     | 2 off | 17. | Flanged sleeve  | 2 off |
| 7.  | Screw, M5 x 14 mm (encapsulated) | 4 off | 18. | Screw, M6 x 27 mm button head<br>(encapsulated)<br>A9708529, A9708539 only        | 2 off |
| 8.  | Screw, M5 x 12 mm                | 2 off | 19. | Screw, M6 x 25 mm hexagon head<br>black (encapsulated)<br>A9708529, A9708539 only | 2 off |
| 9.  | Screw, M4 x 5 mm                 | 2 off | 20. | Screw, M6 x 12 mm, (encapsulated)   | 4 off |
| 10. | Bracket, reflector               | 1 off | 21. | Cleaning wipe   | 1 off |
| 11. | Reflector                        | 1 off |     |   |       |

Parts Supplied: A9708521



|     |                                  |       |     |                                   |       |
|-----|----------------------------------|-------|-----|-----------------------------------|-------|
| 1.  | Mudguard                         | 1 off | 11. | Reflector                         | 1 off |
| 2.  | Support moulding                 | 1 off | 12. | Captive nut, M5                   | 2 off |
| 3.  | Licence plate hanger             | 1 off | 13. | Captive nut, M6                   | 2 off |
| 4.  | Finisher                         | 1 off | 14. | Multi-function harness            | 1 off |
| 5.  | Licence plate light, LED         | 1 off | 15. | Cable clip                        | 3 off |
| 6.  | Lock nut, M5                     | 2 off | 16. | Screw, M6 x 25 mm (encapsulated)  | 4 off |
| 7.  | Screw, M5 x 14 mm (encapsulated) | 4 off | 17. | Flanged sleeve                    | 2 off |
| 8.  | Screw, M5 x 12 mm                | 2 off | 18. | Screw, M6 x 12 mm, (encapsulated) | 4 off |
| 9.  | Screw, M4 x 5 mm                 | 2 off | 19. | Adaptor plate                     | 1 off |
| 10. | Bracket, reflector               | 1 off | 20. | Cleaning wipe                     | 1 off |



|                         |       |  |  |
|-------------------------|-------|--|--|
| 1. Multi-function light | 2 off |  |  |
|-------------------------|-------|--|--|

**! Warning**

Fit only genuine Triumph accessories to those models approved by Triumph as listed in the associated Triumph fitting instructions. The accessory kits covered in this instruction are designed for use on specific models of Triumph motorcycle. The accessory kits and the models applicable are listed at the start of the instruction. They should never be fitted to any other Triumph model or to any other manufacturer's motorcycle. Fitting an accessory kit to a Triumph model not listed, or to any other manufacturer's motorcycle will affect the performance, stability and handling of the motorcycle. This may affect the rider's ability to control the motorcycle and could result in an accident causing severe injuries or death.

**! Warning**

Always have Triumph approved parts, accessories and conversions fitted by a trained technician of an authorised Triumph dealer. The fitment of parts, accessories and conversions by a technician who is not of an authorised Triumph dealer may affect the handling, stability or other aspects of the motorcycle's operation which may result in loss of motorcycle control and an accident.

**! Warning**

Make sure the motorcycle is supported. A correctly supported motorcycle will help prevent it from falling. An unstable motorcycle may fall, causing injury to the operator or damage to the motorcycle.



## Warning

A torque wrench of known accurate calibration must be used when fitting this accessory kit. Failure to tighten any of the fasteners to the correct torque specification may affect motorcycle performance, handling and stability. This may result in loss of motorcycle control and an accident.

### Note:

- Triumph offers a broad range of approved genuine accessories for your motorcycle. We cannot therefore cover all possible equipment variations in these instructions. For removal and installation of Triumph Genuine Accessories, always refer to the instructions supplied with the respective accessory kit. To obtain additional copies of any Triumph accessory instructions, visit [www.triumphinstructions.com](http://www.triumphinstructions.com) or contact your authorised Triumph dealer.

## Notice

Fitment of accessory kit A9838056 contravenes federal law and renders the motorcycle illegal for road use in Canada and Europe.

## Notice

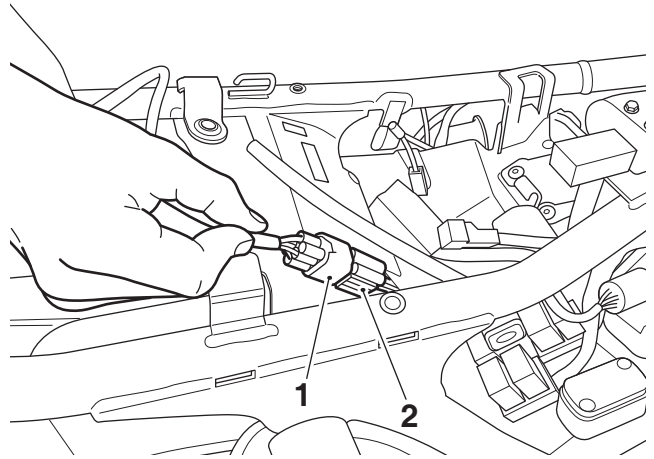
Fitment of accessory kits A9708393, A9708436, A9830140, A9708528, A9708538 contravenes federal law and renders the motorcycle illegal for road use in the United States and Canada.

## Notice

Fitment of accessory kits A9708499, A9708521, A9708529 and A9708539 contravenes federal law and renders the motorcycle illegal for road use in Canada.

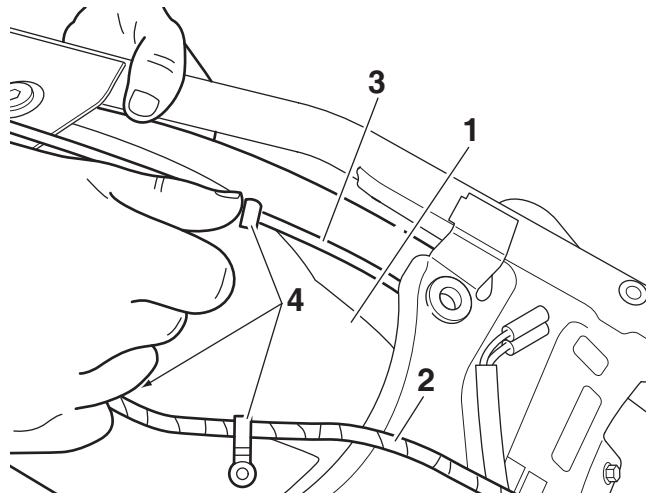
- Remove the seat as described in the Service Manual.
- Disconnect the battery, as described in the Service Manual.
- Remove the rear indicators as described in the Service Manual. Retain the indicators for reuse. Retain the screws for reuse if the accessory kit does not include M6 x 12 mm encapsulated screws. Discard the lock nuts.

- Disconnect the rear harness connector.



- Rear harness connector
- Main wiring harness connector

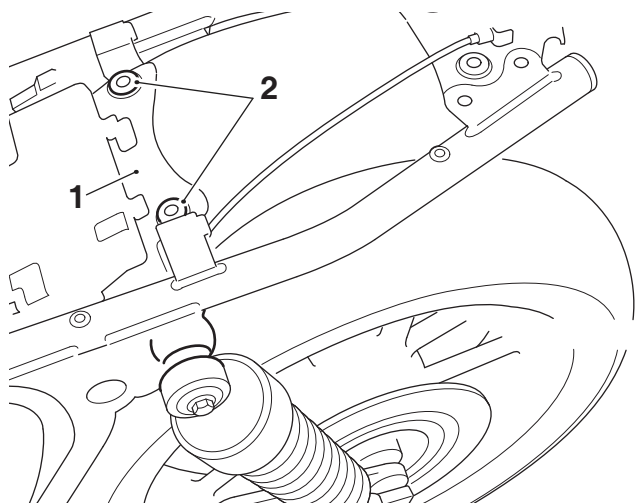
- Detach the rear wiring harness and seat latch cable from the retaining clips in the rear mudguard.



- Rear mudguard
- Rear harness
- Seat latch cable
- Retaining clips

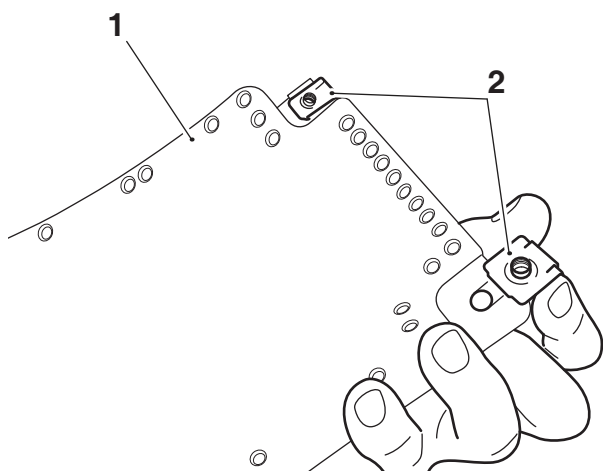
- Remove the rear mudguard assembly as described in the Service Manual. Retain the mudguard assembly if the motorcycle is to be returned to its original condition. Discard the fixings.
- Remove the licence plate from the rear mudguard. Retain the licence plate and fixings for reuse.

- Remove the two flanged sleeves from the front mounting positions of the rear mudguard. Retain the flanged sleeves if the motorcycle is to be returned to its original condition.



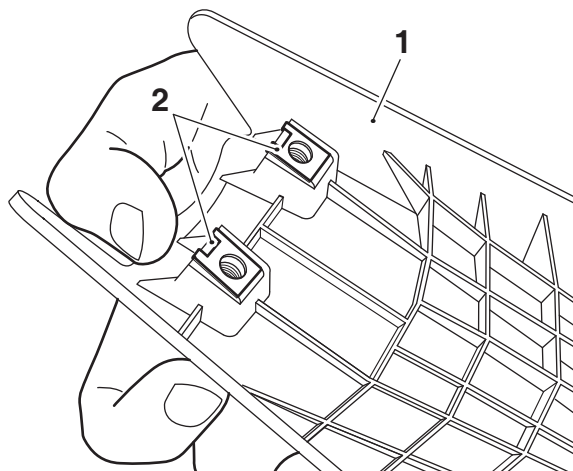
- Front mounting position, rear mudguard
- Flanged sleeve

- Collect the support moulding, M6 and M5 captive nuts from the kit.
- Fit the M6 captive nuts to the front of the support moulding with the threaded section of the captive nut on the underside of the moulding, as shown.



- Support moulding
- Captive nut, M6

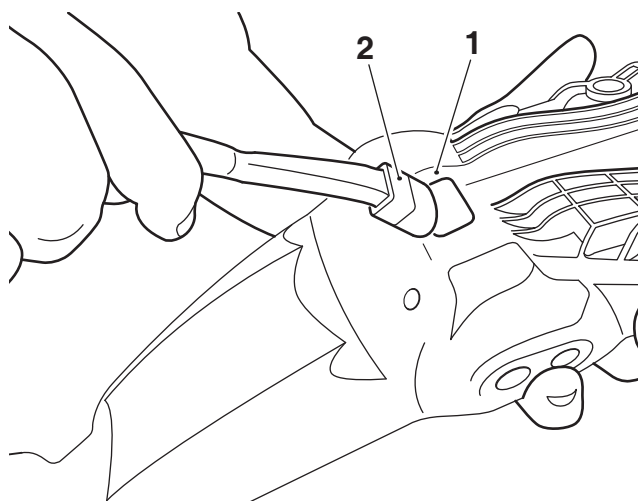
- Fit the M5 captive nuts to the rear of the support moulding with the plain section of the captive nut on the underside of the moulding, as shown.



- Support moulding
- Captive nut, M5

**Accessory kits A9708393, A9708436, A9708528, A9708538 only**

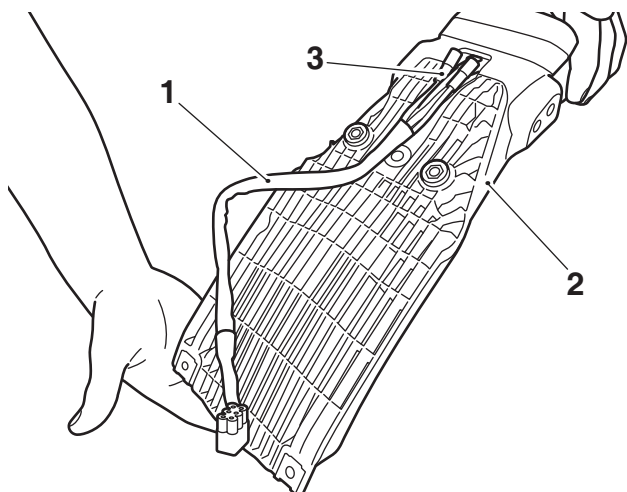
- Collect the LED rear light from the kit and feed the rear light harness connector through the support moulding.



- Support moulding
- Rear harness

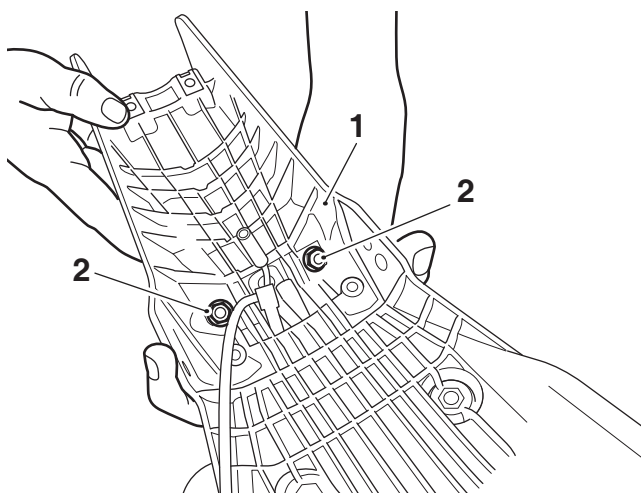


13. Feed the harness back through the support moulding until the indicator connectors are positioned in the moulding aperture, as shown.



1. Rear harness  
2. Support moulding  
3. Indicator connectors

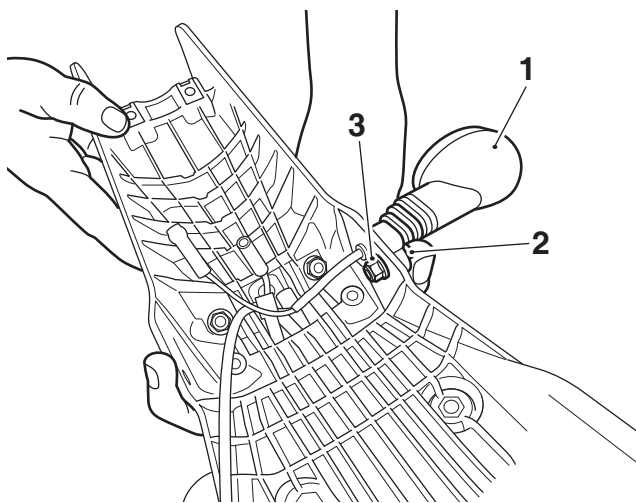
14. Fit the rear light to the support moulding and secure with two M6 lock nuts. Tighten to **6 Nm**.



1. Support moulding  
2. Lock nut, M6

### Models which have indicators secured with screws and lock nuts

15. Fit the original indicators to the support moulding as shown. Secure with the original screws and new M6 lock nuts from the kit. Tighten the screws to **3 Nm**.



1. Indicator, right hand shown  
2. Screw, original  
3. Lock nut, M6

### Models which have indicators secured with encapsulated screws

#### Note:

- An encapsulated screw can be identified by a coloured section of thread which is treated with a locking agent. If supplied, use the new encapsulated screw(s) as detailed in the instruction. If encapsulated screws are not supplied, apply ThreeBond 1360 before reusing existing screws or use the correct replacement screws recommended in the Triumph parts catalogue.



### Warning

Failure to replace an encapsulated screw, or failure to apply ThreeBond 1360 to the original screw threads before reuse, could lead to a dangerous riding condition.

16. Fit the indicators to the rear light mount and secure with the M6 x 12 mm encapsulated screws, if supplied in the kit. If encapsulated screws are not supplied in the kit, apply ThreeBond 1360 to the original screw threads before reuse. Tighten the screws to **5 Nm**.

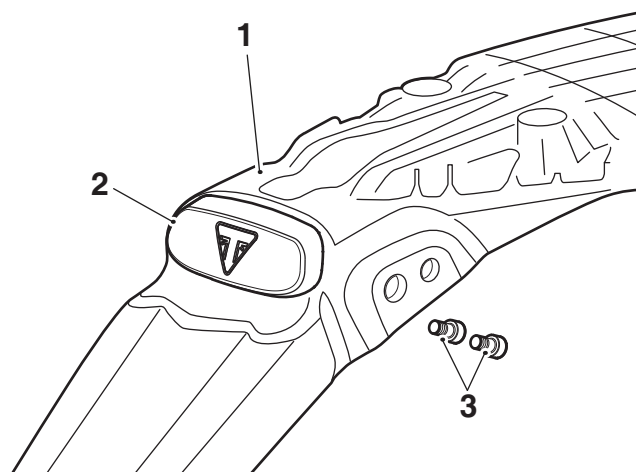
17. Connect the rear indicators to the rear harness. The red taped connector on the harness connects to the right hand side white indicator lead connector. The green wired connector on the rear harness connects to the left hand side white indicator lead connector. The two remaining rear harness and indicator connectors are non handed common negative connections.

**Note:**

- **Check that the indicators operate correctly before continuing with the installation.**
18. Connect the rear light harness to the main wiring harness.
  19. Reconnect the battery as described in the Service Manual.
  20. Check that the indicators operate correctly before continuing with the installation. After confirming correct indicator operation, disconnect the battery as described in the Service Manual.
  21. Disconnect the rear light harness from the main wiring harness.

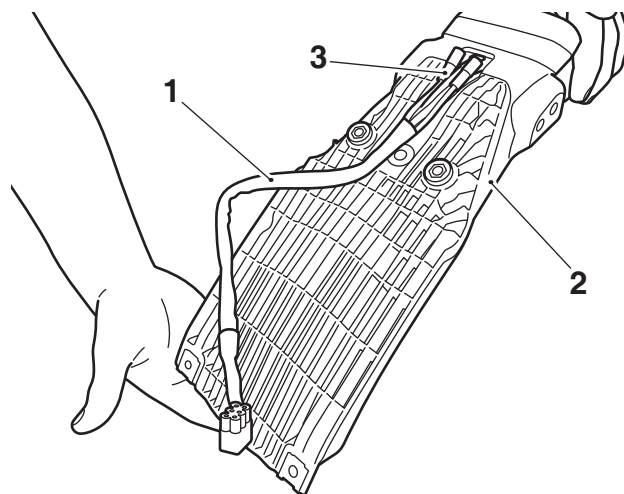
**Accessory kits A9708499, A9708521, A9708529, A9708539 only**

22. Fit the finisher from the kit to the support moulding and secure with two M6 x 12 mm encapsulated screws from the kit. Tighten the screws to **3 Nm**.



1. Support moulding
2. Finisher
3. Screws, M6 x 12 mm encapsulated

23. Feed the harness back through the support moulding until the multi-function light connectors are positioned in the moulding aperture, as shown.

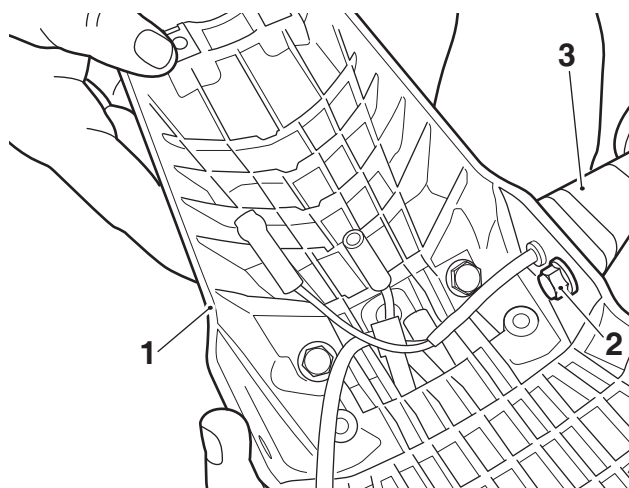


1. Rear harness
2. Support moulding
3. Multi-function light connectors

24. Collect the multi-function lights from accessory kit A9838056 or A9830140.

**Note:**

- **If the multi-function light has red tape attached to it, the light should be fitted to the right hand side of the support moulding.**
25. Fit the multi-function lights to the support moulding as shown. Secure each light with an M6 x 12 mm encapsulated screw from the kit. Tighten the screws to **5 Nm**.



1. Support moulding
2. Multi-function light, right hand shown
3. Screw, M6 x 12 mm encapsulated

26. Connect the multi-function lights to the multi-function harness. The red taped connector on the harness connects to the right hand side multi-function light.

27. Following the instructions for the respective kit, fit accessory front LED indicators A9838023 or A9838028.
28. Reconnect the battery, as described in the Service Manual.
29. Following the instructions for LED indicators A9838023 or A9838028, set the indicator type.
30. Check the multi-function lights and indicators function correctly.
31. Disconnect the battery, as described in the Service Manual.

**Note:**

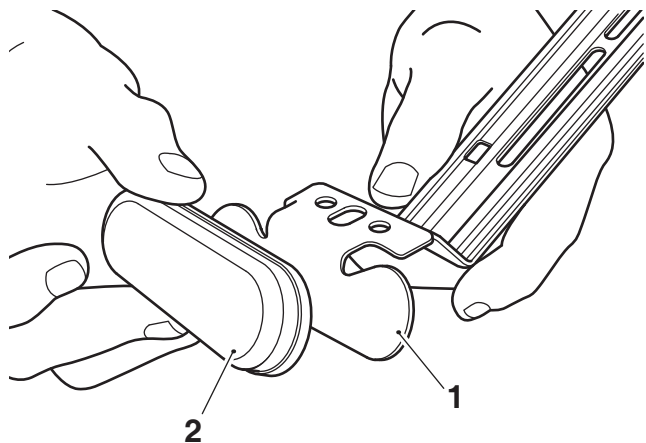
- For motorcycles registered in the US, Japan, Taiwan, Brazil and Australia only, follow the instructions for the accessory Adaptor Plate Kit A9708468 then continue from step 40.

**All Kits**

32. Collect the reflector bracket and reflector from the kit.

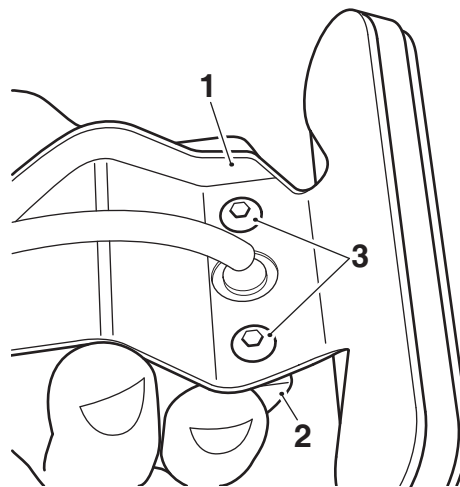
**Note:**

- Read the warning notices printed on the cleaning wipe packet provided in the kit.
  - The surface to which the reflector is affixed must be clean and dry to Make sure that the adhesive has a sound base to adhere to. Use a cleaning wipe supplied for this purpose.
33. Remove the protective tape from the rear of the reflector and attach the reflector to the reflector bracket, as shown.



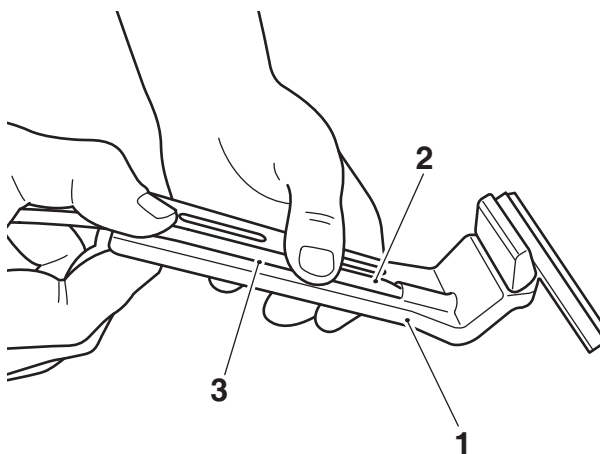
1. Reflector bracket
2. Reflector

34. Fit the licence plate light to the reflector bracket and secure with the two M4 x 5 mm screws from the kit. Tighten the screws to **1 Nm**.



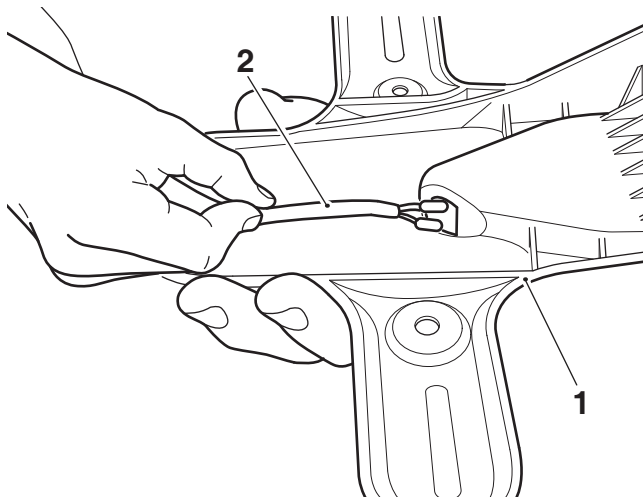
1. Reflector bracket
2. Licence plate light
3. Screw, M4 x 5 mm

35. Feed the licence plate light harness through the reflector bracket. Make sure the harness is located in the recess in the reflector bracket, as shown.



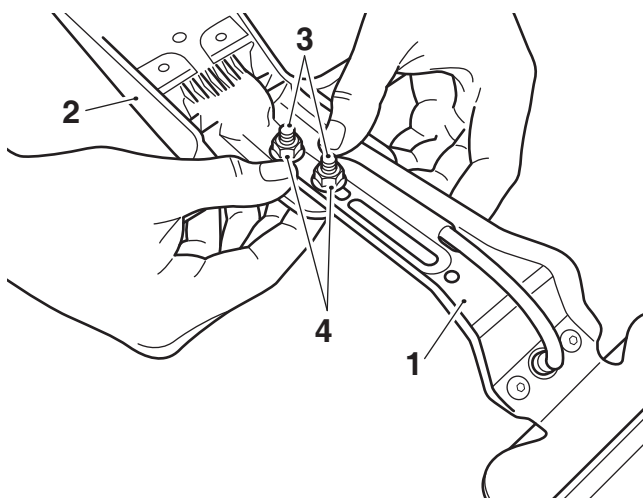
1. Reflector bracket
2. Licence plate light harness
3. Recess, reflector bracket

36. Feed the licence plate light harness through the licence plate hanger.



1. Licence plate hanger  
2. Licence plate light harness

37. Locate the reflector bracket on the licence plate hanger, aligning the slot in the reflector bracket with the fixing points on the licence plate hanger. Fit the two M5 x 12 mm screws and M5 lock nuts from the kit, do not fully tighten the fixings at this stage.

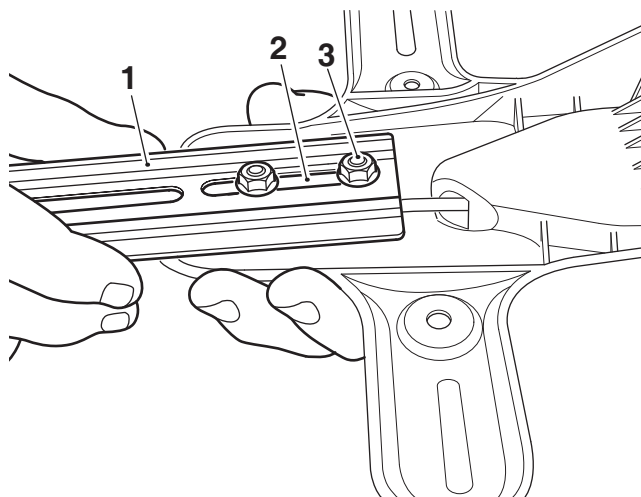


1. Reflector bracket  
2. Licence plate hanger  
3. Screw, M5 x 12 mm  
4. Lock nut, M5

38. Move the reflector bracket to the correct position on the licence plate hanger, depending on the size of licence plate, as follows:

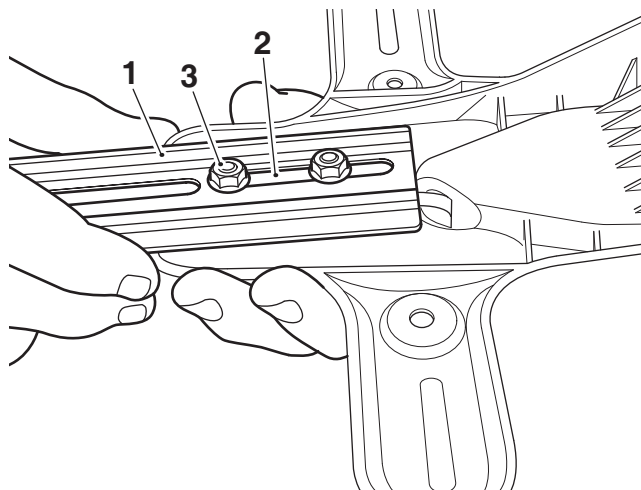
- For the German standard licence plate the upper screw should be aligned with the top of the slot in the reflector bracket.
- For all other countries the lower screw should be aligned with the bottom of the slot in the reflector bracket.

#### German Standard Licence Plate



1. Reflector bracket  
2. Slot  
3. Screw, upper

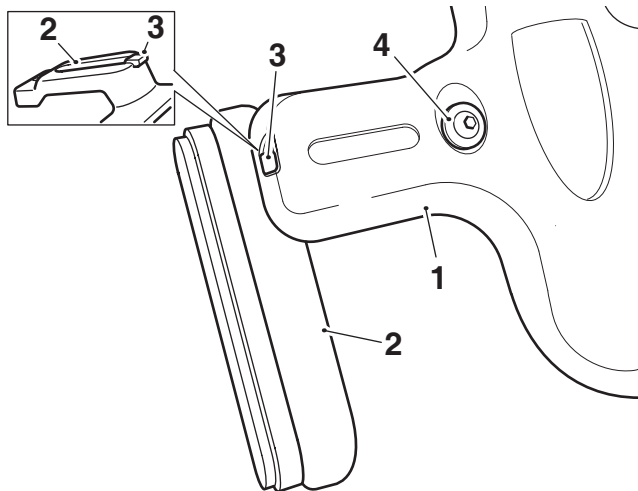
#### All Other Countries



1. Reflector bracket  
2. Slot  
3. Screw, lower

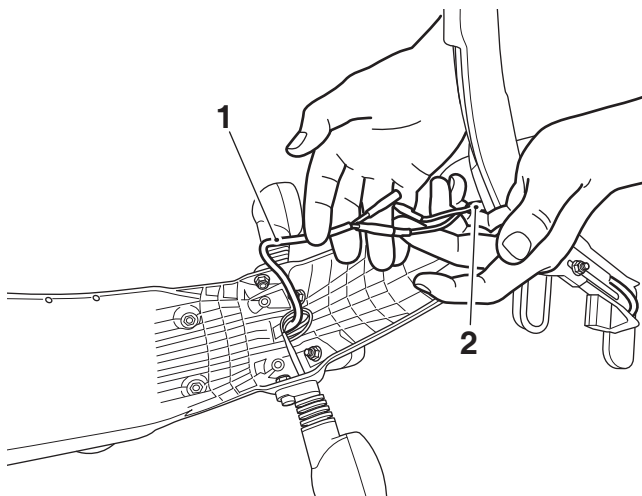
39. Tighten the screws to **5 Nm**.
40. If the original licence plate hanger has reflector side mounting brackets fitted these should be removed as described in the Service Manual. Retain the reflector brackets and fixings for reuse.

41. Fit the reflector side mounting brackets to the licence plate hanger, locating the lug on the reflector bracket in to the licence plate hanger, as shown. Fit the original fixings and tighten to 1 Nm.



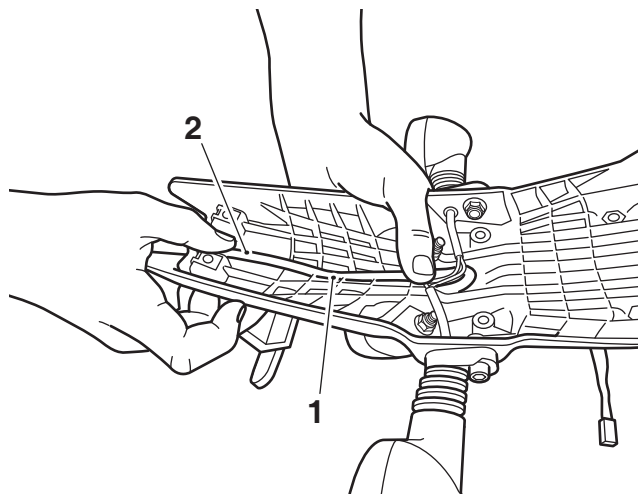
1. Licence plate hanger
2. Reflector side mounting bracket, left hand shown
3. Lug, reflector bracket
4. Fixing

42. Connect the licence plate harness to the rear harness.



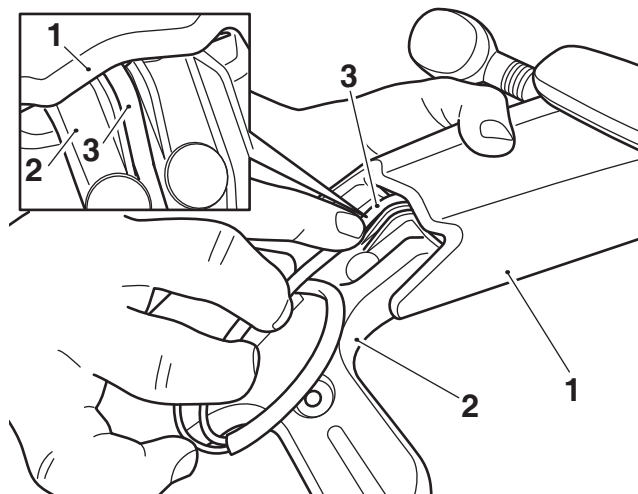
1. Rear harness
2. Licence plate harness

43. Locate the rear harness in the recess groove in the support moulding.



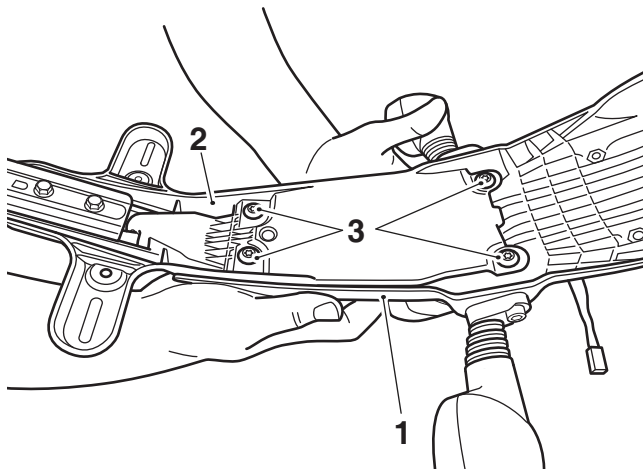
1. Recess groove, support moulding
2. Rear harness

44. Fit the licence plate hanger onto the support moulding making sure the rear harness remains located correctly in the guide provided on the licence plate hanger, as shown below.



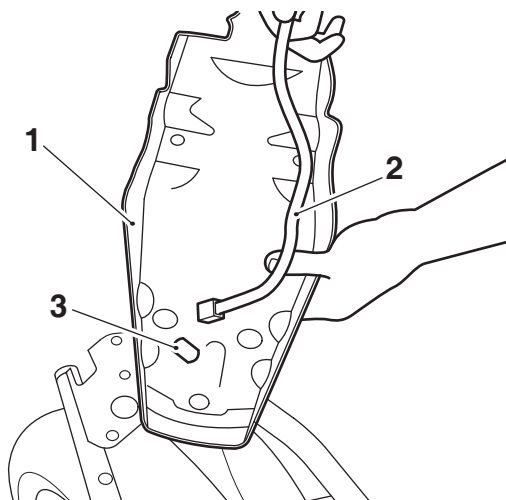
1. Support moulding
2. Licence plate hanger
3. Rear harness

45. Align the fixing positions of the licence plate hanger with the fixing positions on the support moulding, as shown. Fit the four M5 x 14 mm screws from the kit and tighten to **3 Nm**.



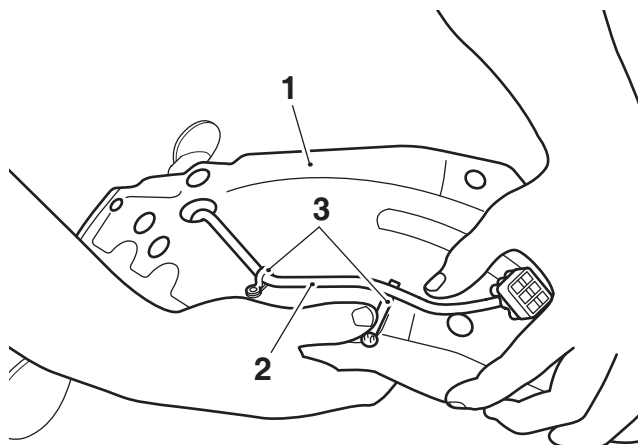
1. Support moulding  
2. Licence plate hanger  
3. Screw, M5 x 14 mm

46. Feed the rear harness through the centre hole at the rear of the new mudguard, from the underside of the mudguard.



1. Mudguard  
2. Rear harness  
3. Centre hole

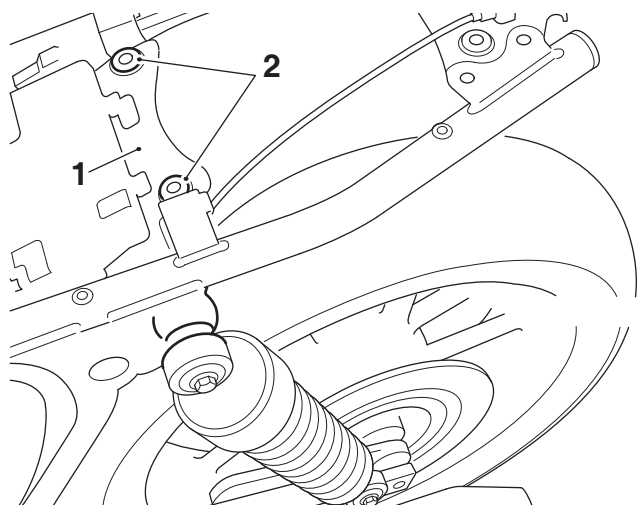
47. Fit two of the cable clips from the kit into the new mudguard and using the cable clips secure the rear harness to the mudguard as shown.



1. Mudguard  
2. Rear harness  
3. Cable clip

**Accessory Kits A9708393, A9708436, A9708499 and A9708521 only**

48. Fit the two flanged sleeves from the kit through the rubber grommets at the front fixing positions of the rear mudguard, as shown.

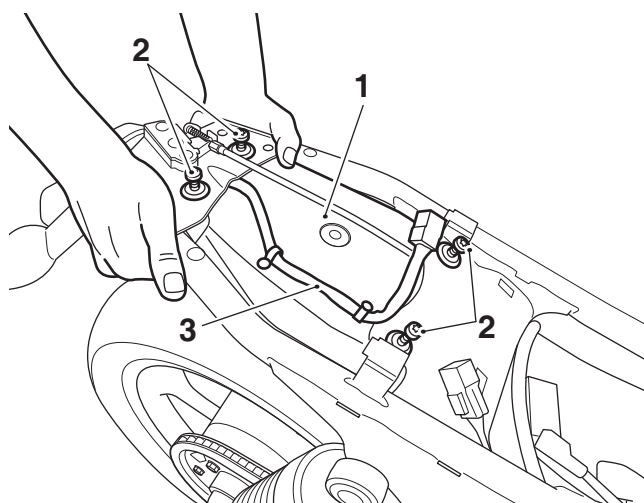


1. Front mounting position, rear mudguard  
2. Flanged sleeve

49. Fit the mudguard onto the support moulding and align the fixing holes.



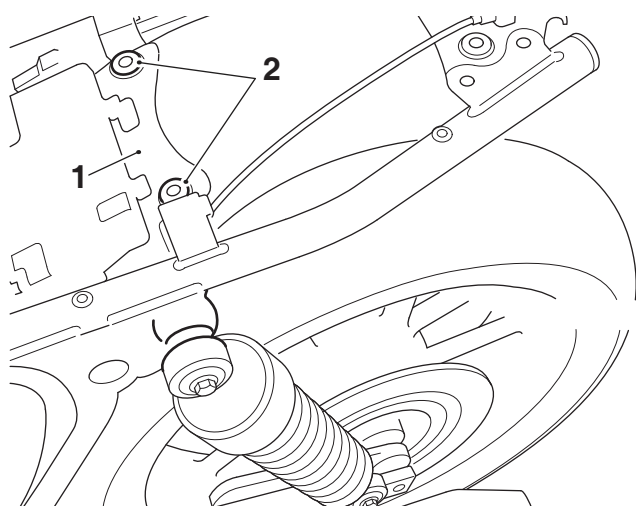
50. Fit the mudguard and support moulding to the motorcycle, align the four fixing positions. Make sure the rear harness is not trapped between the mudguard and the motorcycle frame. Fit the four M6 x 25 mm screws from the kit and tighten to **10 Nm**.



1. Mudguard and support moulding
2. Screws, M6 x 25 mm
3. Rear harness

**Accessory Kits A9708528, A9708529, A9708538, A9708539 only**

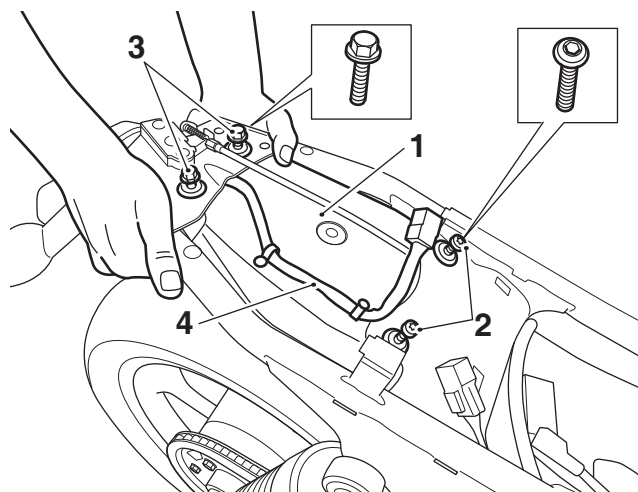
51. Fit the two flanged sleeves from the kit through the rubber grommets at the front fixing positions of the rear mudguard, as shown.



1. Front mounting position, rear mudguard
2. Flanged sleeve

52. Fit the mudguard onto the support moulding and align the fixing holes.

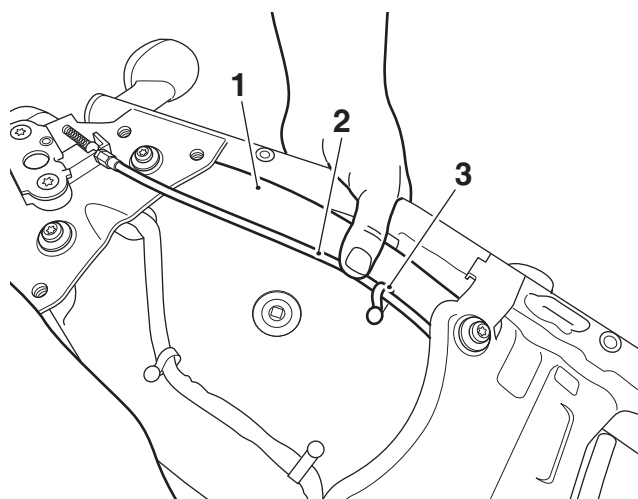
53. Fit the mudguard and support moulding to the motorcycle, align the four fixing positions. Make sure the rear harness is not trapped between the mudguard and the motorcycle frame. Fit two M6 x 27 mm button head screws from the kit through the flanged sleeves at the front fixing positions, and fit two M6 x 25 mm black hexagon head screws from the kit through the rear fixing positions and tighten to **10 Nm**.



1. Mudguard and support moulding
2. Screws, M6 x 27 mm, button head
3. Screws, M6 x 25 mm, black hexagon head
4. Rear harness

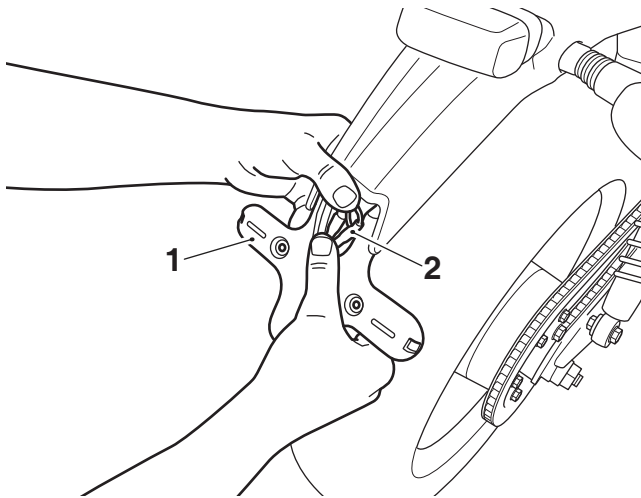
**All Kits**

54. Fit the remaining cable clip from the kit to the left hand side of the mudguard and using the cable clip secure the seat latch cable to the mudguard.



1. Mudguard
2. Seat latch cable
3. Cable clip

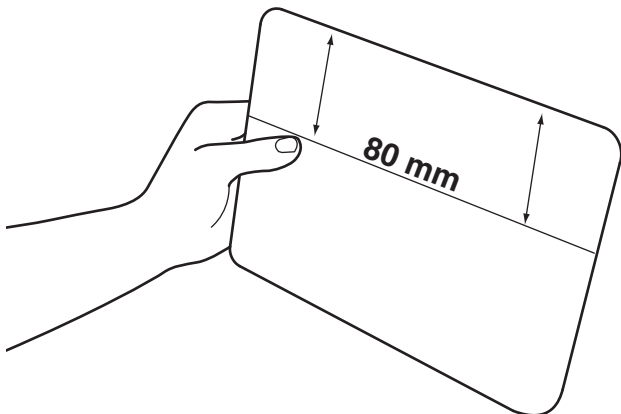
55. Make sure the licence plate light wiring is located correctly in the recess in the licence plate hanger.



1. Licence plate light wiring
2. Recess, licence plate hanger

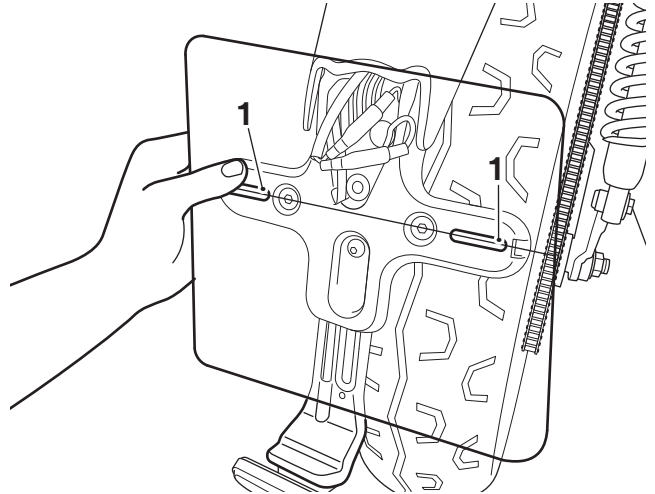
**Accessory Kits A9708393, A9708436, A9708499, A9708528, A9708529, A9708538, A9708539 only**

56. Mark a line on the rear of the licence plate, 80 mm from the top, as shown below.



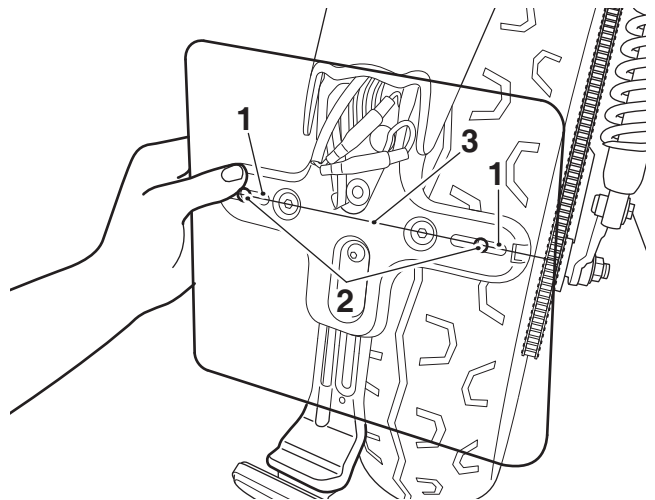
**Note:**

- **Before drilling fixing holes in the licence plate** Make sure they will avoid any lettering, but will align with the recesses in the licence plate hanger when the licence plate is positioned centrally on the licence plate hanger.



1. Recesses, licence plate hanger

57. Check the size of the original licence plate fixings and drill two suitably sized holes in the licence plate on the 80 mm marked line.
58. Position the licence plate centrally on the licence plate hanger and align the marked line and fixing holes with the recesses in the licence plate hanger, as shown. Mark the two drilled licence plate fixing positions on the licence plate hanger.



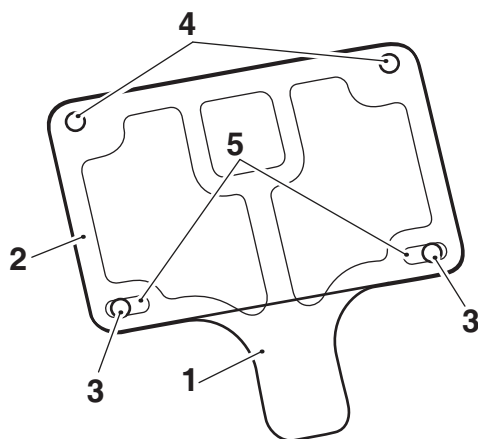
1. Recesses, licence plate hanger
2. Fixing positions
3. Marked line, licence plate

59. Drill the two fixing holes in the licence plate hanger.
60. Fit the licence plate to the licence plate hanger with the original fixings.



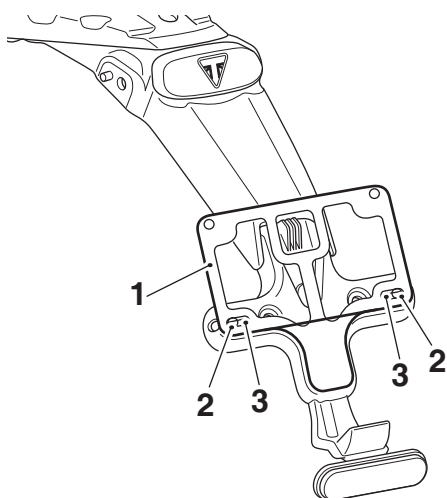
### Accessory Kit A9708521 only

61. Collect the adaptor plate from the kit.
62. Position the original licence plate centrally on the adaptor plate and align the lower licence plate fixing holes with the slots in the adaptor plate, as shown. Mark the two upper licence plate fixing positions on the adaptor plate.



1. Adaptor plate
2. Licence plate
3. Lower fixing holes
4. Upper fixing holes
5. Slots, adaptor plate

63. Drill the two upper fixing holes in the adaptor plate.
64. With the licence plate and adaptor plate fixing holes aligned, position the licence plate and adaptor plate centrally on the licence plate hanger. Align the lower fixing holes with the recesses in the licence plate hanger, as shown. Mark the two lower fixing positions on the licence plate hanger.

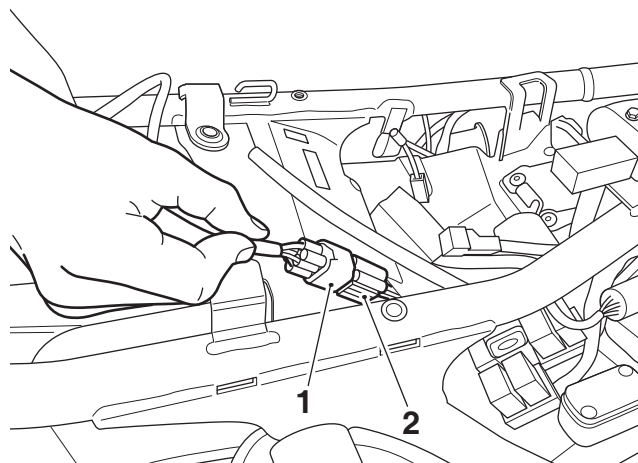


1. Adaptor plate and licence plate
2. Lower fixing positions
3. Recesses, licence plate hanger

65. Drill the two fixing holes in the licence plate hanger.
66. Fit the licence plate and adaptor plate to the licence plate hanger with the original fixings.

### All Kits

67. Connect the rear harness connector to the motorcycle main wiring harness connector.



1. Rear harness connector
2. Main wiring harness connector

68. Reconnect the battery, positive (red) lead first and tighten the battery terminals to **4.5 Nm**.
69. Check that the indicators, rear light and licence plate light function correctly.
70. Refit the seat, as described in the Service Manual.



### Warning

If, after fitment of this accessory kit, you have any doubt about the performance of any aspect of the motorcycle, contact an authorised Triumph dealer and do not ride the motorcycle until the authorised dealer has declared it fit for use. Riding a motorcycle when there is any doubt as to any aspect of the performance of the motorcycle may result in loss of motorcycle control and an accident.



### Warning

Never ride an accessory equipped motorcycle at speeds above 80 mph (130 km/h).

The presence of accessories will cause changes in the stability and handling of the motorcycle. Failure to allow for changes in motorcycle stability may result in loss of motorcycle control and an accident.

Remember that the 80 mph (130 km/h) limit will be reduced by the fitting of non-approved accessories, incorrect loading, worn tyres, overall motorcycle condition and poor road or weather conditions.



### Warning

The motorcycle must not be operated above the legal road speed limit except in closed-course conditions.



### Warning

Only operate this Triumph motorcycle at high speed in closed-course, on-road competition or on closed-course racetracks. High-speed operation should only be attempted by riders who have been instructed in the techniques necessary for high-speed riding and are familiar with the motorcycle's characteristics in all conditions.

High-speed operation in any other circumstances is dangerous and may result in loss of motorcycle control and an accident.