



Accessory Fitting Instructions

Fender Removal Kit	
Kit number	Models Affected
A9708515	Thruxton RS
Fender Removal Kit - Multi-Function Lights	
Kit number	Models Affected
A9708516	Thruxton RS
Multi-Function Light Kit - D40	
Kit number	Models Affected
A9830140	Thruxton RS

Note:

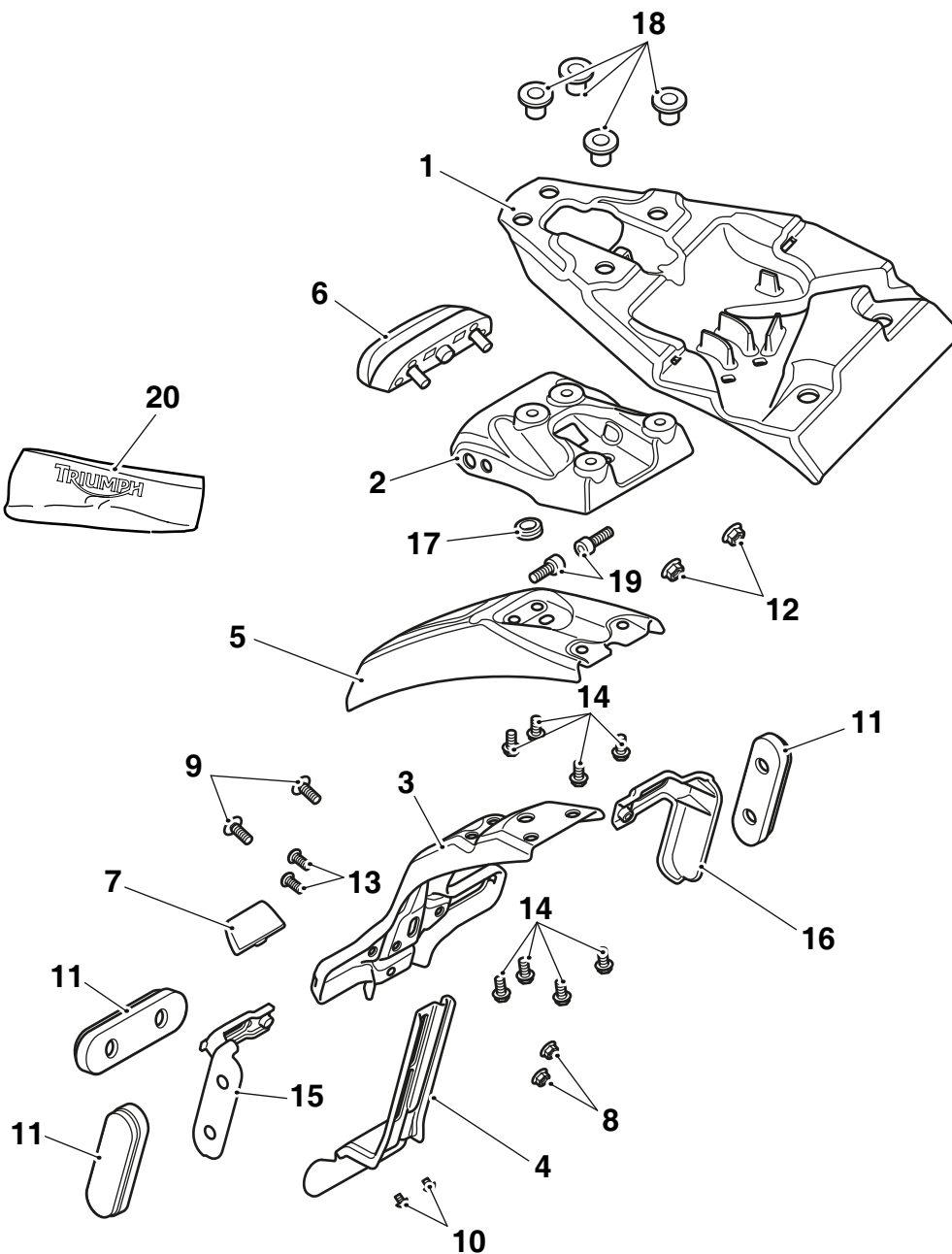
- **The Fender Removal Kits listed above must not be used if the motorcycle has been fitted with an accessory grab rail or pannier kit.**

Thank you for choosing this Triumph genuine accessory kit. This accessory kit is the product of Triumph's use of proven engineering, exhaustive testing, and continuous striving for superior reliability, safety and performance.

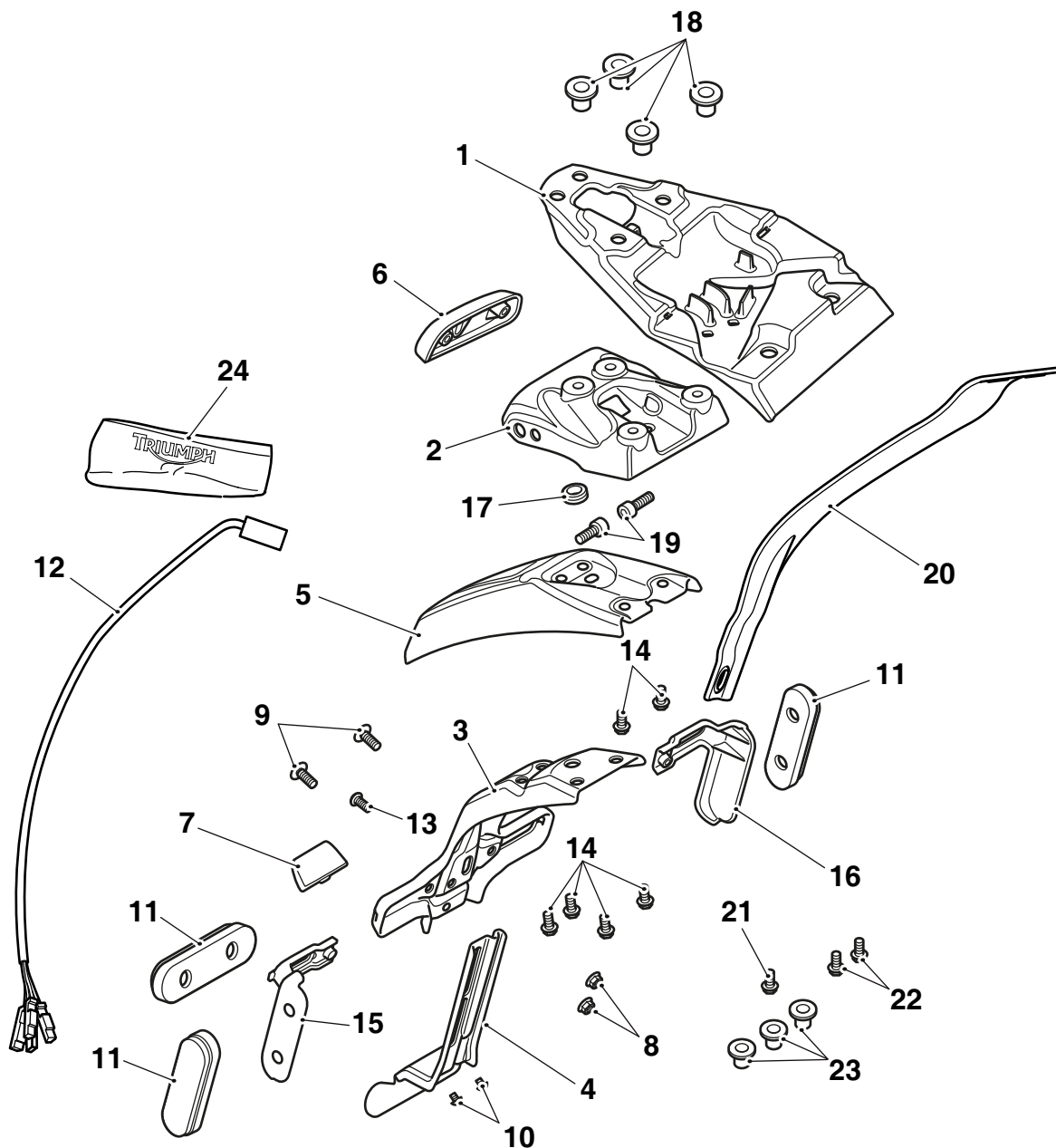
Completely read all of these instructions before commencing the installation of the accessory kit in order to become thoroughly familiar with the kit's features and the installation process.

These instructions should be considered a permanent part of your accessory kit, and should remain with it even if your accessory equipped motorcycle is subsequently sold.

Parts supplied: A9708515

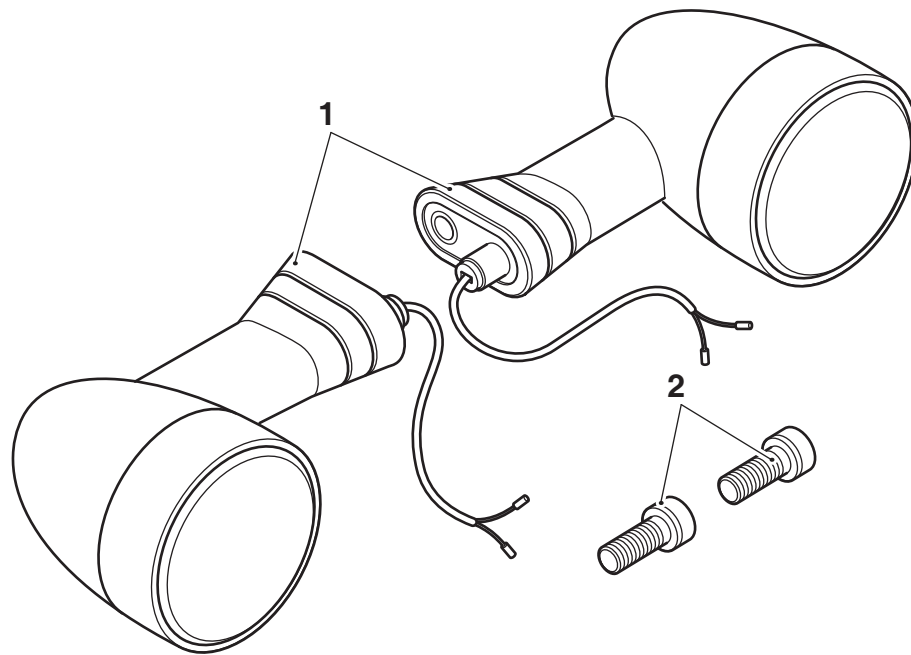


1.	Mudguard	1 off	11.	Reflector	3 off
2.	Rear light mount	1 off	12.	Locknut, M6	2 off
3.	Licence plate hanger	1 off	13.	Screw, M5 x 12 mm	2 off
4.	Reflector bracket	1 off	14.	Screw, M6 x 10 mm	8 off
5.	Extension bracket	1 off	15.	Reflector bracket, right hand	1 off
6.	Rear light, LED	1 off	16.	Reflector bracket, left hand	1 off
7.	Licence plate light, LED	1 off	17.	Grommet	1 off
8.	Locknut, M5	2 off	18.	Flanged sleeve	4 off
9.	Screw, Self-tapping	2 off	19.	Screw, M6 x 12 mm, encapsulated (not included in all kits)	2 off
10.	Screw, M4 x 5 mm	2 off	20.	Cleaning wipe	1 off



1.	Mudguard	1 off	13.	Screw, M5 x 12 mm	1 off
2.	Rear light mount	1 off	14.	Screw, M6 x 10 mm	6 off
3.	Licence plate hanger	1 off	15.	Reflector bracket, right hand	1 off
4.	Reflector bracket	1 off	16.	Reflector bracket, left hand	1 off
5.	Extension bracket	1 off	17.	Grommet	1 off
6.	Aluminium finisher	1 off	18.	Flanged sleeve	4 off
7.	Licence plate light, LED	1 off	19.	Screw, M6 x 12 mm, encapsulated	2 off
8.	Locknut, M5	2 off	20.	Cover moulding	1 off
9.	Screw, Self-tapping	2 off	21.	Screw, M5 x 16 mm	1 off
10.	Screw, M4 x 5 mm	2 off	22.	Screw, M6 x 16 mm	2 off
11.	Reflector	3 off	23.	Flanged sleeve	3 off
12.	Sub-harness	1 off	24.	Cleaning wipe	1 off

Parts supplied: A9830140



1. Multi function light, D40	2 off	2. Fixing M6 x 12 mm	2 off
------------------------------	-------	----------------------	-------

Warning

The accessory kits covered in this instruction are designed for use on specific models of Triumph motorcycle. The accessory kits and the models applicable are listed at the start of the instruction. They should not be fitted to any other Triumph model or to any other manufacturer's motorcycle. Fitting an accessory kit to a Triumph model not listed, or to any other manufacturer's motorcycle will affect the performance, stability and handling of the motorcycle. This may result in loss of motorcycle control and an accident.

Warning

Always have Triumph approved parts, accessories and conversions fitted by a trained technician of an authorised Triumph dealer. The fitment of parts, accessories and conversions by a technician who is not of an authorised Triumph dealer may affect the handling, stability or other aspects of the motorcycle's operation which may result in loss of motorcycle control and an accident.

Warning

Throughout this operation, ensure that the motorcycle is stabilised and adequately supported to prevent risk of injury from the motorcycle falling.

Warning

A torque wrench of known accurate calibration must be used when fitting this accessory kit. Failure to tighten any of the fasteners to the correct torque specification may affect motorcycle performance, handling and stability. This may result in loss of motorcycle control and an accident.

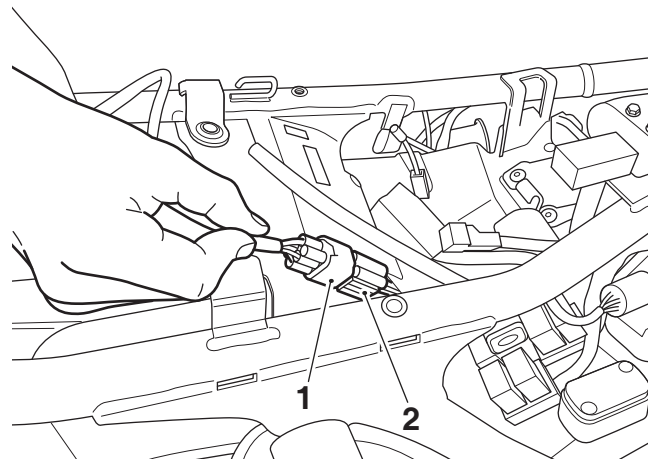
Note:

- Triumph offers a broad range of approved genuine accessories for your motorcycle. We cannot therefore cover all possible equipment variations in these instructions. For removal and installation of Triumph Genuine Accessories, always refer to the instructions supplied with the respective accessory kit. To obtain additional copies of any Triumph accessory instructions, visit www.triumphinstructions.com or contact your authorised Triumph dealer.

Notice

Fitment of the multi function light kits may contravene local laws in some countries and render the motorcycle illegal for road use.

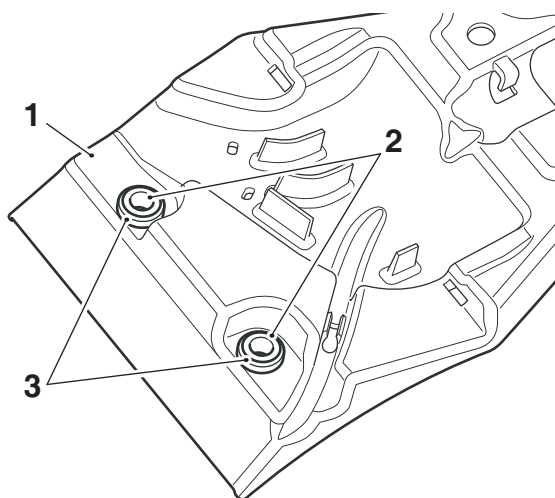
- Remove the seat as described in the Service Manual.
- Disconnect the battery, as described in the Service Manual.
- Remove the rear indicators as described in the Service Manual. Retain the indicators and screws for reuse.
- Disconnect the rear harness connector.



- Rear harness connector
- Main wiring harness connector

- Remove the licence plate from the rear mudguard. Retain the licence plate and fixings for reuse.
- Remove the rear mudguard assembly as described in the Service Manual. Retain the fixings for reuse.
- Remove the flanged sleeves from the four rear mudguard mounting positions. Retain the flanged sleeves for reuse if the motorcycle is to be returned to its original condition.

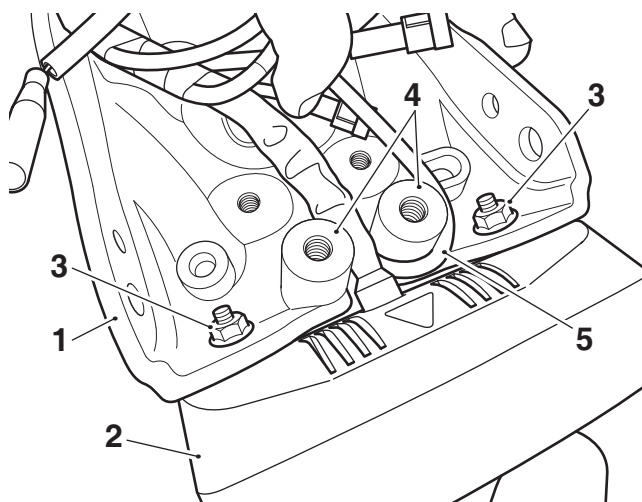
- Remove the two grommets and flanged sleeves from the front of the rear mudguard. Retain the grommets and flanged sleeves for reuse. Retain the mudguard assembly for reuse if the motorcycle is to be returned to its original condition.



- Rear mudguard
- Flanged sleeves
- Grommets

Accessory Kit A9708515 Only

- Fit the rear light to the rear light mount ensuring the licence plate harness is routed between the mounting bosses, as shown. Fit the M6 lock nuts provided and tighten to **6 Nm**.



- Rear light mount
- Rear light
- Lock nut, M6
- Mounting boss
- Licence plate harness

Note:

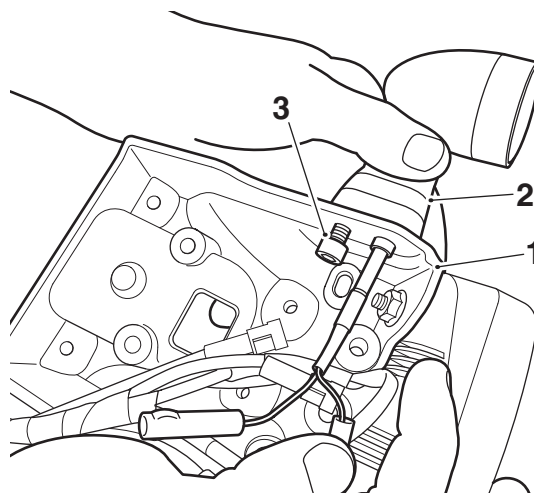
- An encapsulated screw can be identified by a coloured section of thread which is treated with a locking agent. If supplied, use the new encapsulated screw(s) as detailed in the instruction. If encapsulated screws are not supplied, apply ThreeBond 1360 before reusing existing screws or use the correct replacement screws recommended in the Triumph parts catalogue.



Warning

Failure to replace an encapsulated screw, or failure to apply ThreeBond 1360 to the original screw threads before reuse, could lead to a dangerous riding condition.

- Fit the indicators to the rear light mount and secure with the M6 x 12 mm encapsulated screws, if supplied in the kit. If encapsulated screws are not supplied in the kit, apply ThreeBond 1360 to the original screw threads before reuse. Tighten the screws to **5 Nm**.

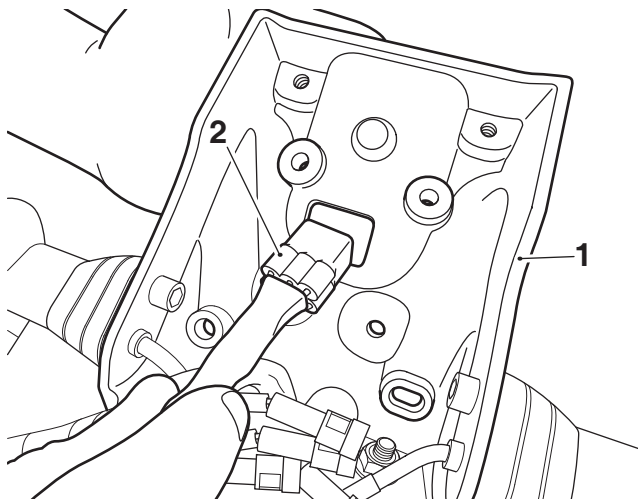


- Rear light mount
- Indicator, left hand shown
- Screw, M6 x 12 mm encapsulated

- Connect the rear indicators to the rear light harness. The red taped connector on the harness connects to the right hand side white indicator lead connector. The green wired connector on the rear harness connects to the left hand side white indicator lead connector. The two remaining rear harness and indicator connectors are non handed common negative connections.

Note:

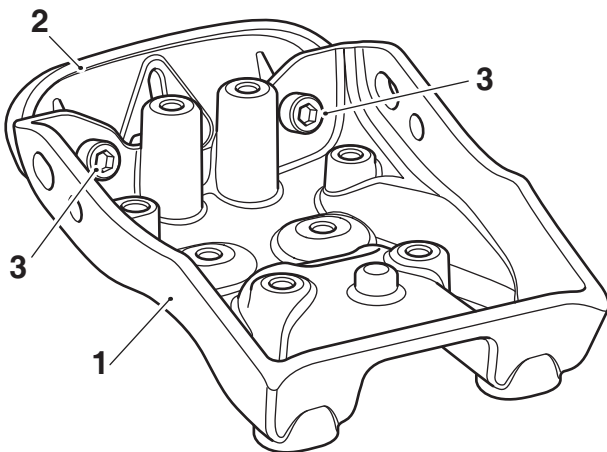
- Connect the rear light harness to the main wiring harness. Re-connect the battery as described in the Service Manual. Check that the indicators operate correctly before continuing with the installation. After confirming correct indicator operation disconnect the rear light harness from the main wiring harness. Disconnect the battery as described in the Service Manual.
12. Feed the rear light harness connector through the rear light mount, as shown.



1. Rear light mount
2. Rear light harness

Accessory Kit A9708516 Only

13. Fit the aluminium finisher to the rear light mount using the M6 x 10 mm encapsulated screws provided. Tighten to **3 Nm**.



1. Rear light mount
2. Aluminium finisher
3. Screws, M6 x 10 mm encapsulated

Note:

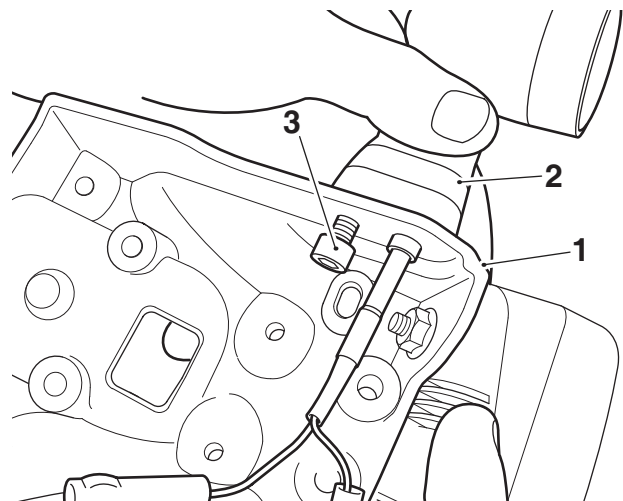
- An encapsulated screw can be identified by a coloured section of thread which is treated with a locking agent. If supplied, use the new encapsulated screw(s) as detailed in the instruction. If encapsulated screws are not supplied, apply ThreeBond 1360 before reusing existing screws or use the correct replacement screws recommended in the Triumph parts catalogue.



Warning

Failure to replace an encapsulated screw, or failure to apply ThreeBond 1360 to the original screw threads before reuse, could lead to a dangerous riding condition.

14. Fit the multi function lights to the rear light mount and secure with the M6 x 12 mm encapsulated screws, if supplied in the kit. If encapsulated screws are not supplied in the kit, apply ThreeBond 1360 to the original screw threads before reuse. Tighten the screws to **5 Nm**.



1. Rear light mount
2. Multi function light, left hand shown
3. Screw, M6 x 12 mm encapsulated

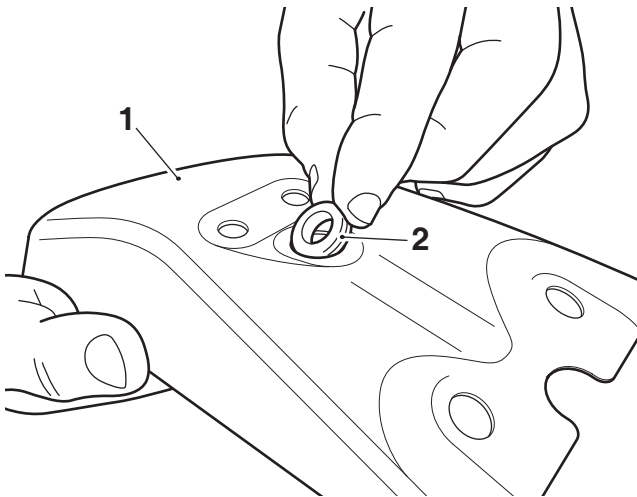
15. Connect the multi function lights to the sub-harness from the kit. The red taped connector on the sub-harness connects to the right hand side multi function light.

Note:

16. **Connect the sub-harness to the main wiring harness. Re-connect the battery as described in the Service Manual. Check that the indicators operate correctly before continuing with the installation. After confirming correct indicator operation disconnect the rear light harness from the main wiring harness. Disconnect the battery as described in the Service Manual.**

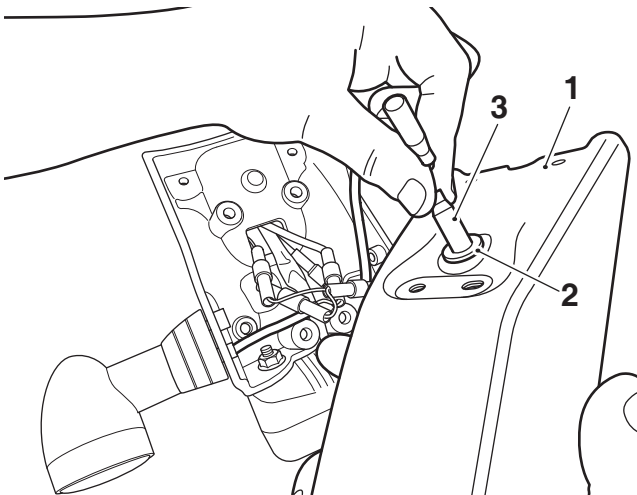
All Kits

17. Fit the grommet from the kit into the extension bracket.



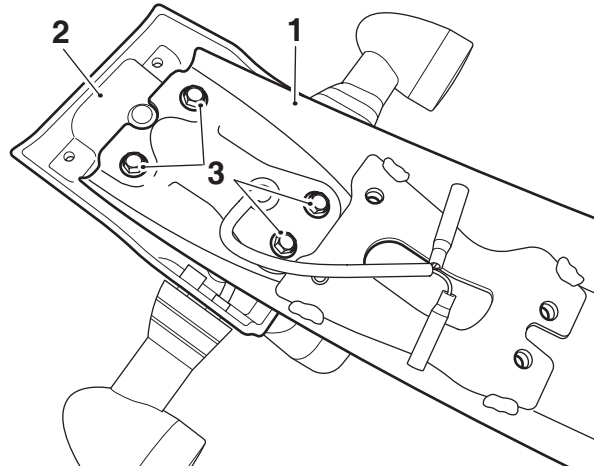
1. Extension bracket
2. Grommet

18. Feed the licence plate light harness through the grommet in the extension bracket, from the top side of the bracket as shown.



1. Extension bracket
2. Grommet
3. Licence plate light harness

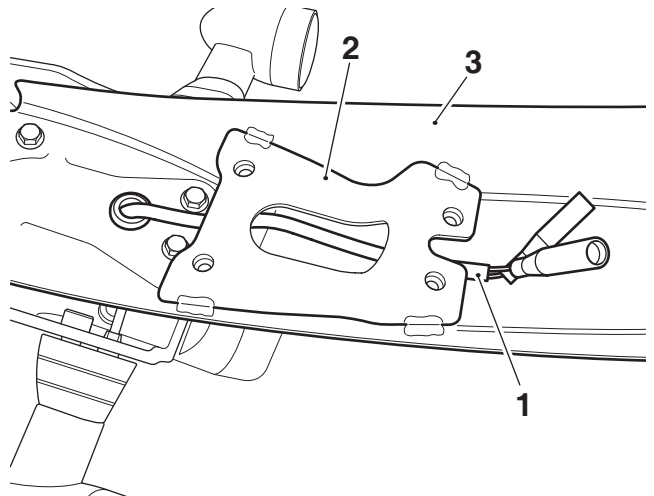
19. Fit the extension bracket on to the rear light mount in the orientation shown. Fit four of the M6 x 10 mm screws from the kit. Tighten to 9 Nm.



1. Extension bracket
2. Rear light mount
3. Screw, M6 x 10 mm

Accessory Kit A9708515 Only

20. Feed the licence plate light harness under the mounting bracket on the underside of the extension bracket, as shown.



1. Licence plate light harness
2. Mounting bracket
3. Extension bracket

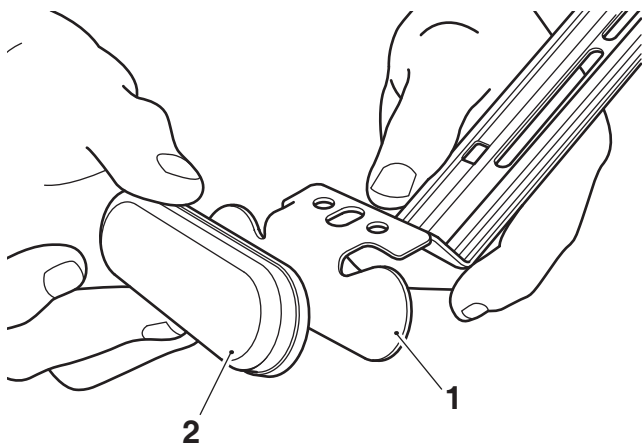
All Kits

21. Collect the reflector bracket and a reflector from the kit.

Note:

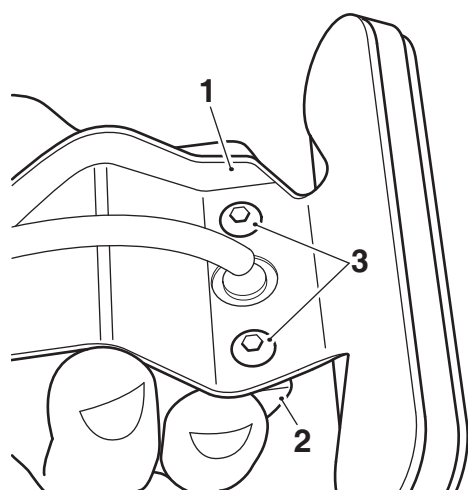
- Read the warning notices printed on the cleaning wipe packet provided in the kit.
- The surface to which the reflector is affixed must be clean and dry to ensure that the adhesive has a sound base to adhere to. Use a cleaning wipe supplied for this purpose.

22. Remove the protective tape from the rear of the reflector and attach the reflector to the reflector bracket, as shown.



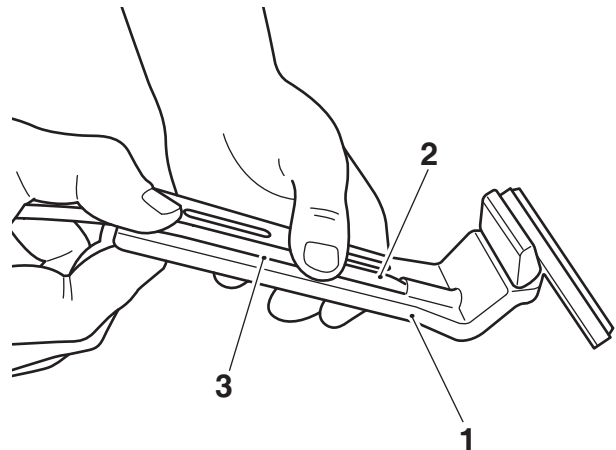
1. Reflector bracket
2. Reflector

23. Fit the licence plate light to the reflector bracket and secure with the two M4 x 5 mm screws from the kit. Tighten the screws to 1 Nm.



1. Reflector bracket
2. Licence plate light
3. Screw, M4 x 5 mm

24. Feed the licence plate light harness through the reflector bracket. Ensure the harness is located in the recess in the reflector bracket, as shown.



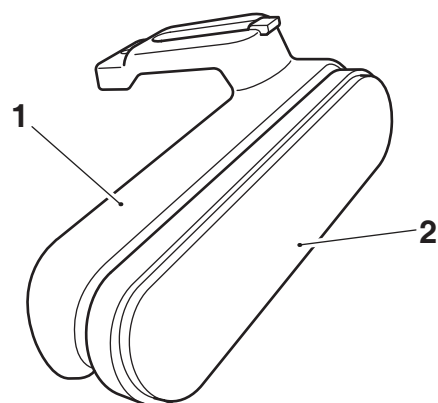
1. Reflector bracket
2. Licence plate light harness
3. Recess, reflector bracket

25. Collect the reflector side brackets and reflectors from the kit.

Note:

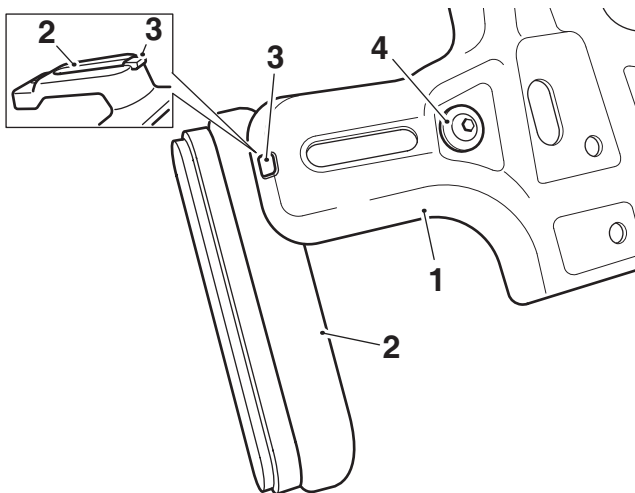
- Read the warning notices printed on the cleaning wipe packet provided in the kit.
- The surface to which the reflector is affixed must be clean and dry to ensure that the adhesive has a sound base to adhere to. Use a cleaning wipe supplied for this purpose.

26. Remove the protective tape from the rear of the one reflector and attach the reflector to the left hand reflector side mounting bracket, as shown.



1. Reflector side mounting bracket, left hand
2. Reflector

27. Fit the left hand reflector side mounting bracket to the licence plate hanger, locating the lug on the reflector bracket in to the licence plate hanger, as shown. Fit a self-tapping screw from the kit. Tighten to **1 Nm**.

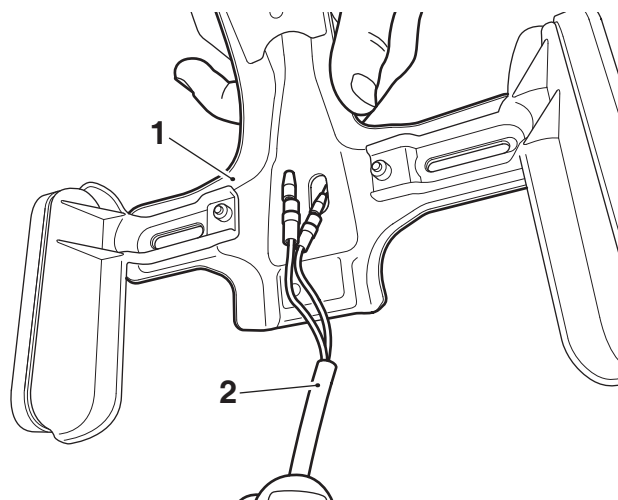


- 1. Licence plate hanger
- 2. Reflector side mounting bracket, left hand
- 3. Lug, reflector bracket
- 4. Self-tapping screw

28. Repeat steps 26 and 27 for the right hand reflector side mounting bracket.

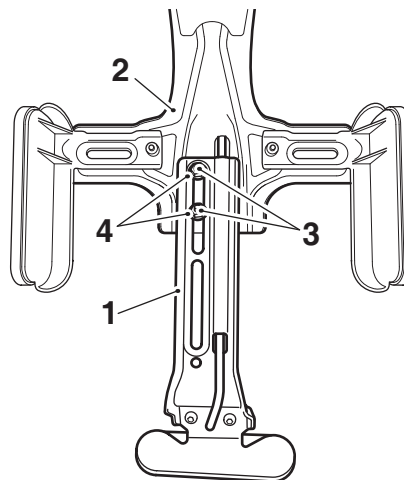
Accessory Kit A9708515 Only

29. Feed the licence plate light harness through the licence plate hanger.



- 1. Licence plate hanger
- 2. Licence plate light harness

30. Locate the reflector bracket on the licence plate hanger, aligning the slot in the reflector bracket with the fixing points on the licence plate hanger. Fit the two M5 x 12 mm screws and M5 locknuts from the kit, do not fully tighten the screws at this stage.

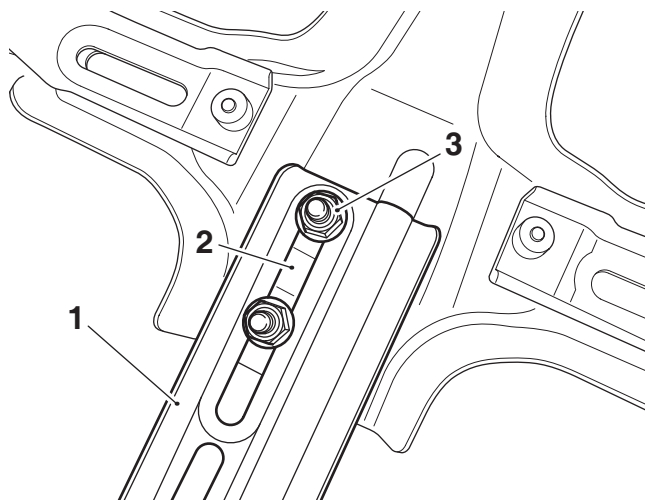


- 1. Reflector bracket
- 2. Licence plate hanger
- 3. Screw, M5 x 12 mm
- 4. Lock nut, M5

31. Move the reflector bracket to the correct position on the licence plate hanger, depending on the size of licence plate, as follows;

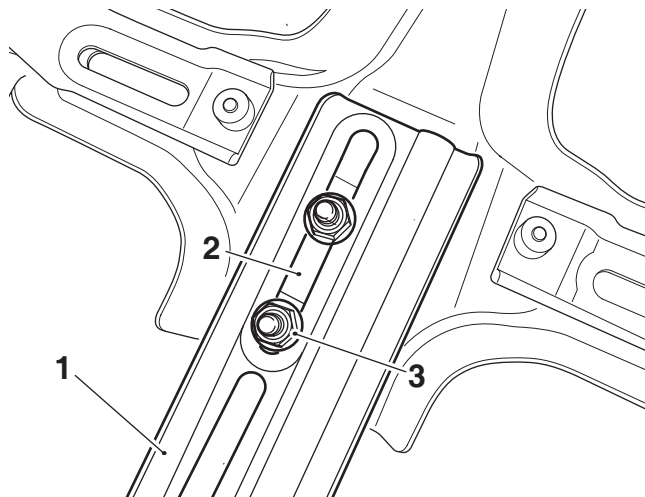
- For the German standard licence plate the upper screw should be aligned with the top of the slot in the reflector bracket.
- For all other countries the lower screw should be aligned with the bottom of the slot in the reflector bracket.

German Standard Licence Plate



- 1. Reflector bracket
- 2. Slot
- 3. Screw, upper

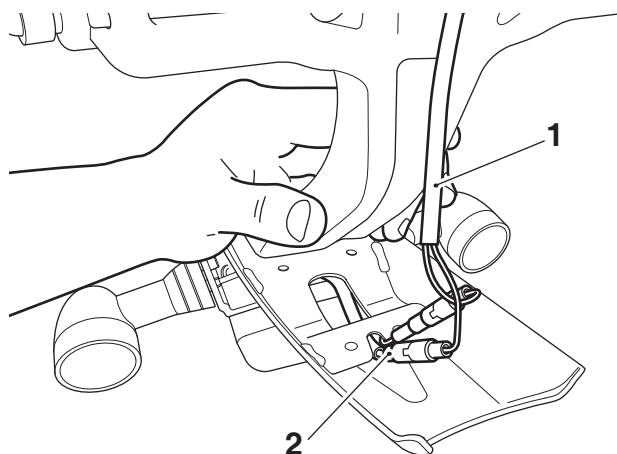
All Other Countries



- 1. Reflector bracket
- 2. Slot
- 3. Screw, lower

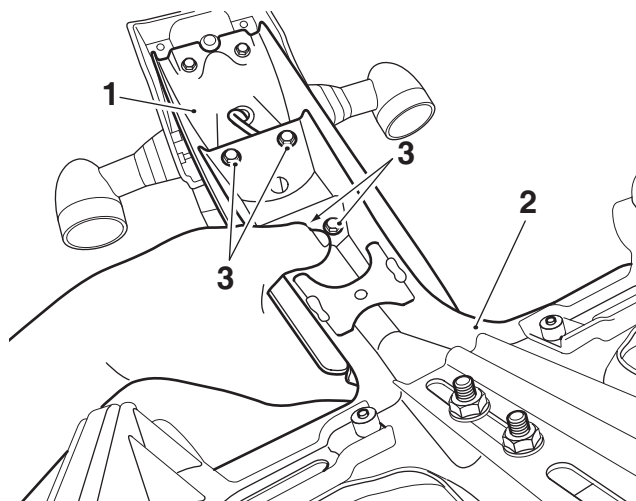
32. Tighten the screws to **5 Nm**.

33. Connect the licence plate harness to the rear light harness, solid black lead to solid black lead first, followed by the second connection.



- 1. Rear light harness
- 2. Licence plate harness

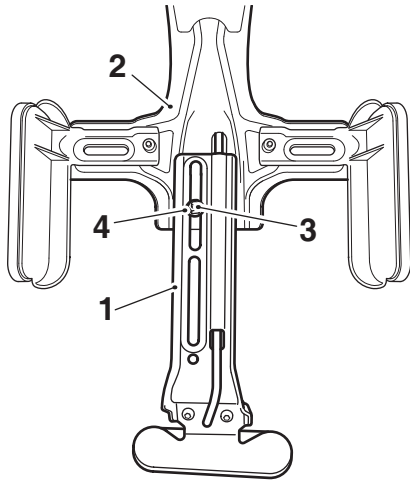
34. Fit the licence plate hanger on to the extension bracket. Align the fixing positions of the licence plate hanger with the fixing positions on the extension bracket, as shown. Fit four M6 x 10 mm screws from the kit. Tighten the screws to **6 Nm**.



- 1. Extension bracket
- 2. Licence plate hanger
- 3. Screw, M6 x 10 mm

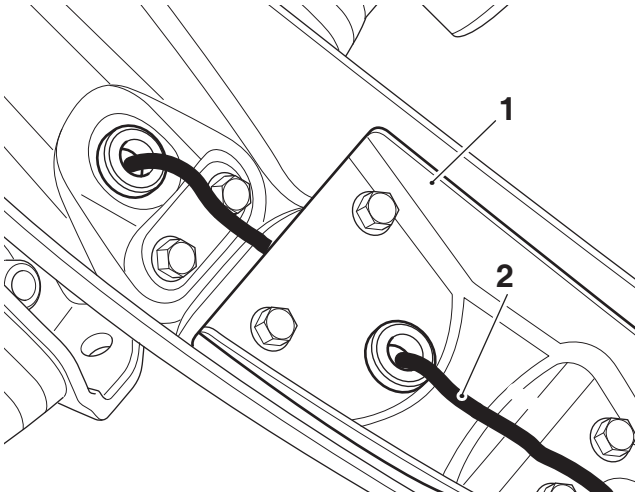
Accessory Kit A9708516 Only

35. Locate the reflector bracket on the licence plate hanger, aligning the slot in the reflector bracket with the fixing points on the licence plate hanger. Fit an M5 x 12 mm screw and M5 lock nut from the kit, do not fully tighten the screw at this stage.



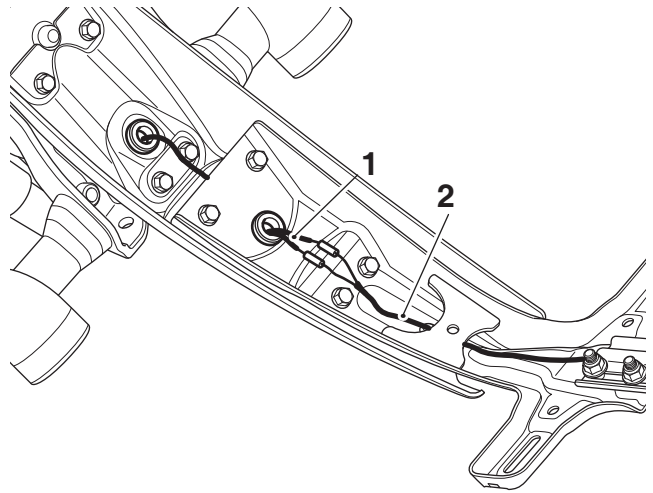
- 1. Reflector bracket
- 2. Licence plate hanger
- 3. Screw, M5 x 12 mm
- 4. Lock nut, M5

36. Route the licence plate harness through the hole in the extension bracket.



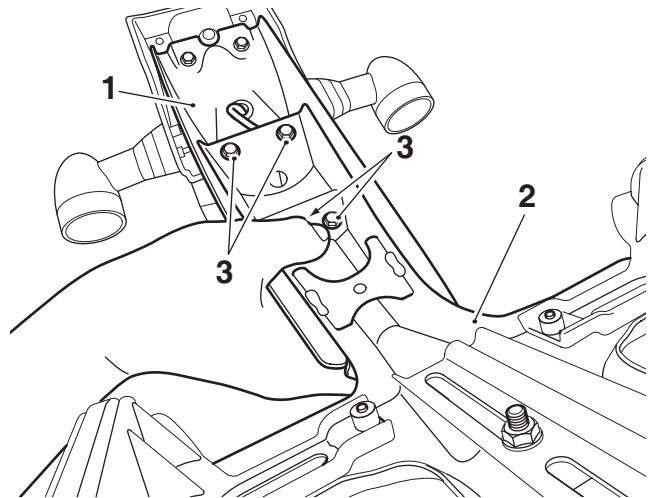
- 1. Extension bracket
- 2. Licence plate harness

37. Connect the licence plate harness to the rear light harness, solid black lead to solid black lead first, followed by the second connection.



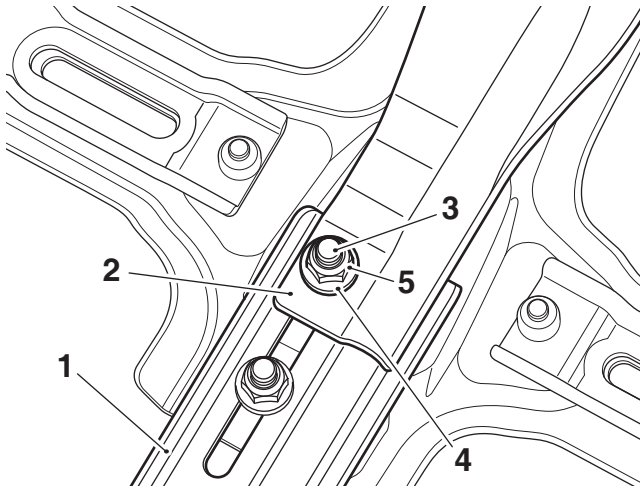
- 1. Licence plate harness
- 2. Rear light harness

38. Fit the licence plate hanger on to the extension bracket. Align the fixing positions of the licence plate hanger with the fixing positions on the extension bracket, as shown. Fit two M6 x 10 mm screws from the kit. Tighten the screws to **6 Nm**.



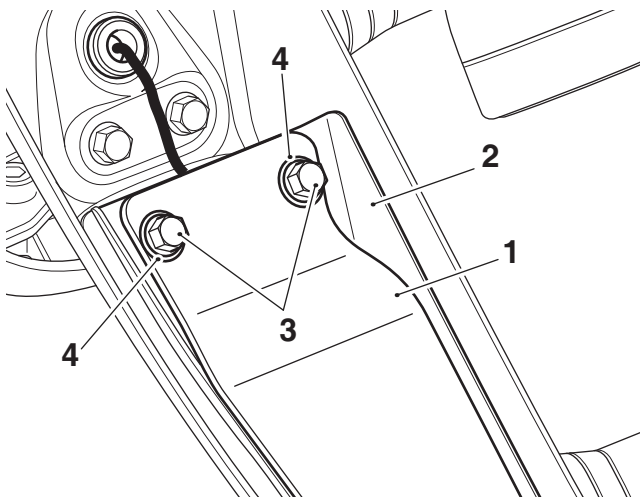
- 1. Extension bracket
- 2. Licence plate hanger
- 3. Screw, M6 x 10 mm

39. Fit the cover moulding to the reflector bracket with an M5 x 16 mm screw, flanged sleeve and M5 lock nut from the kit, as shown. Do not fully tighten the screw at this stage.



1. Reflector bracket
2. Cover moulding
3. Screw, M5 x 16 mm
4. Flanged sleeve
5. Lock nut, M5

40. Fit the cover moulding to the extension bracket with M6 x 16 mm screws and flanged sleeves from the kit, as shown. Tighten the screws to 6 Nm.

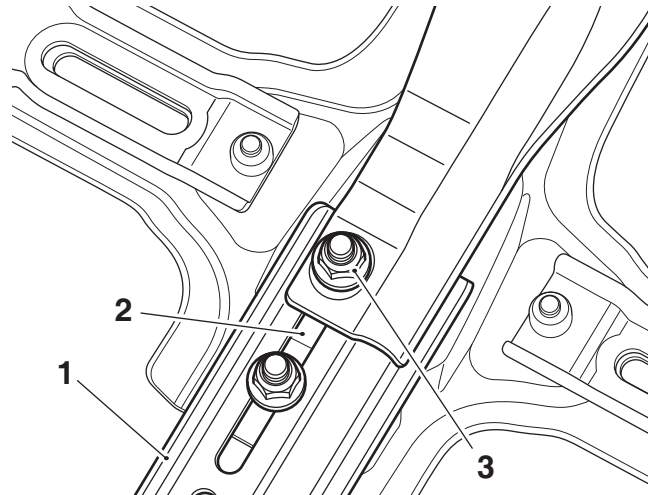


1. Cover moulding
2. Extension bracket
3. Screws, M6 x 16 mm
4. Flanged sleeves

41. Move the reflector bracket to the correct position on the licence plate hanger, depending on the size of licence plate, as follows:

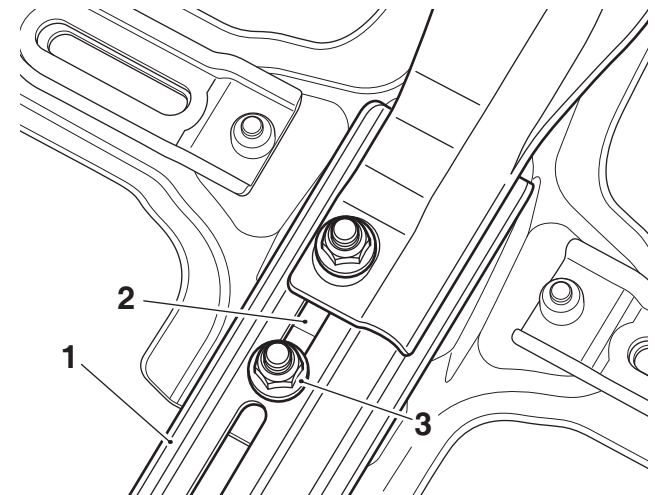
- For the German standard licence plate the upper screw should be aligned with the top of the slot in the reflector bracket.
- For all other countries the lower screw should be aligned with the bottom of the slot in the reflector bracket.

German Standard Licence Plate



1. Reflector bracket
2. Slot
3. Screw, upper

All Other Countries

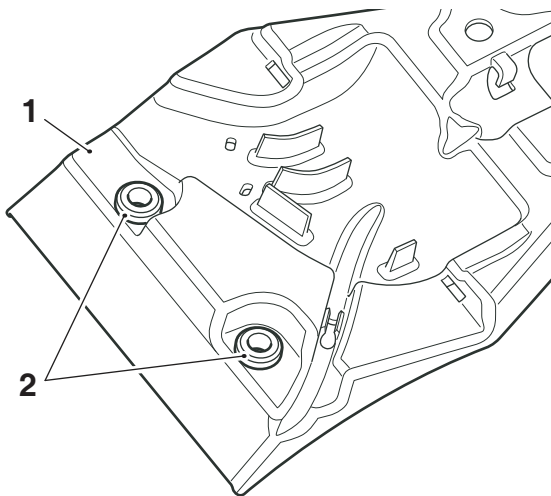


1. Reflector bracket
2. Slot
3. Screw, lower

42. Tighten the reflector bracket screws to 6 Nm.

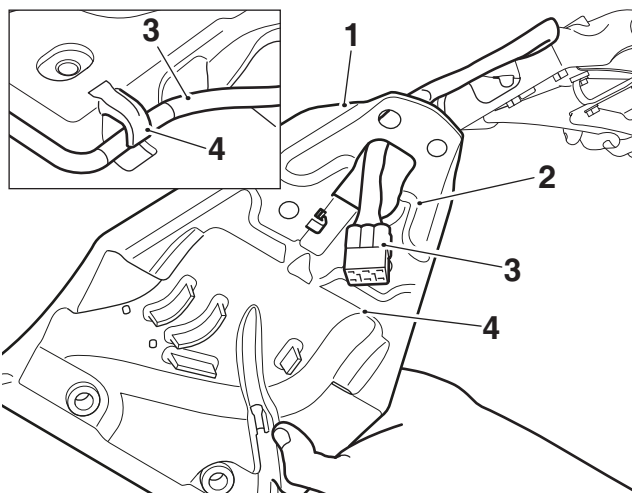
All Kits

43. Fit the two grommets removed from the original rear mudguard to the new rear mudguard from the kit, as shown.



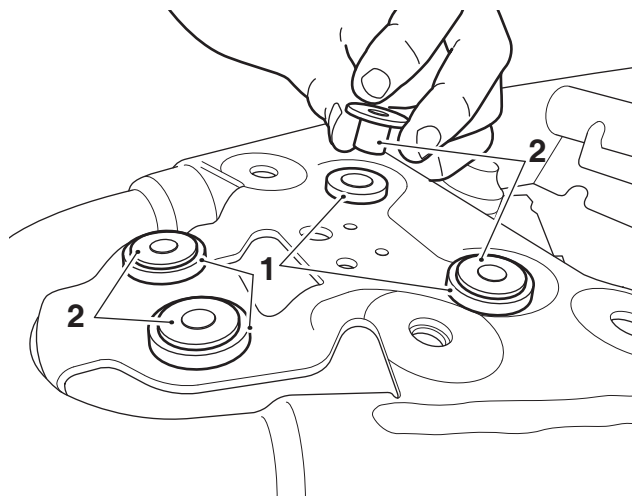
- 1. Rear mudguard
- 2. Grommets

44. Feed the rear harness through the aperture of the new mudguard, from the underside of the mudguard. Attach the rear harness to the clip on the rear mudguard, as shown.



- 1. Mudguard
- 2. Aperture
- 3. Rear harness
- 4. Clip

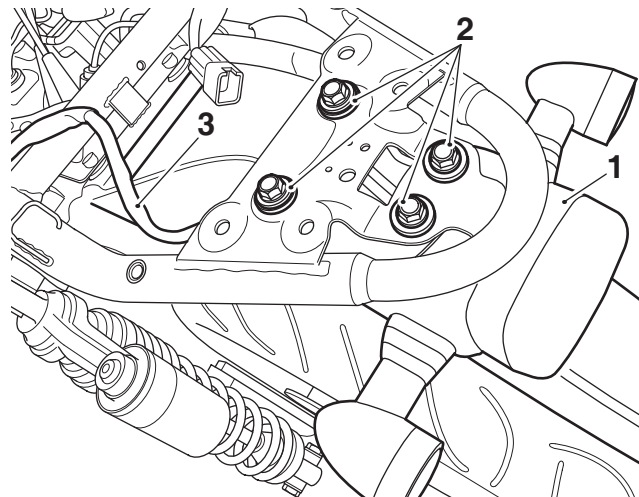
45. Fit the four flanged sleeves from the kit through the rubber grommets at the fixing positions of the rear mudguard, as shown.



- 1. Fixing positions, rear mudguard
- 2. Flanged sleeve

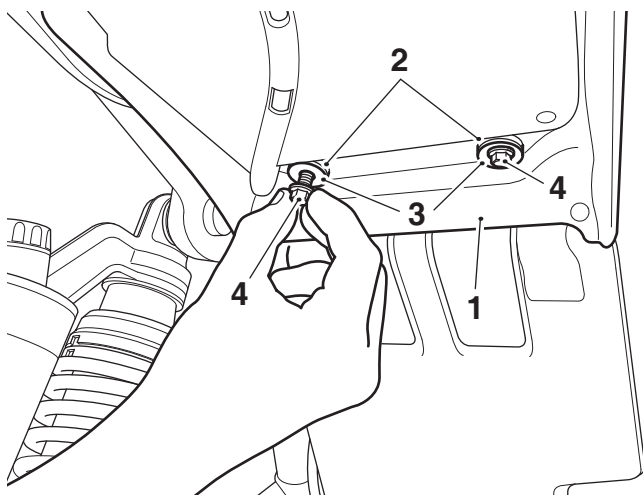
46. Fit the mudguard onto the rear light mount sub-assembly and align the fixing holes.

47. Fit the mudguard and rear light mount sub-assembly to the motorcycle, align the four fixing positions. Ensure the rear harness is not trapped between the mudguard/sub-assembly and the motorcycle frame. Fit the four original screws. Tighten the screws to **10 Nm**.



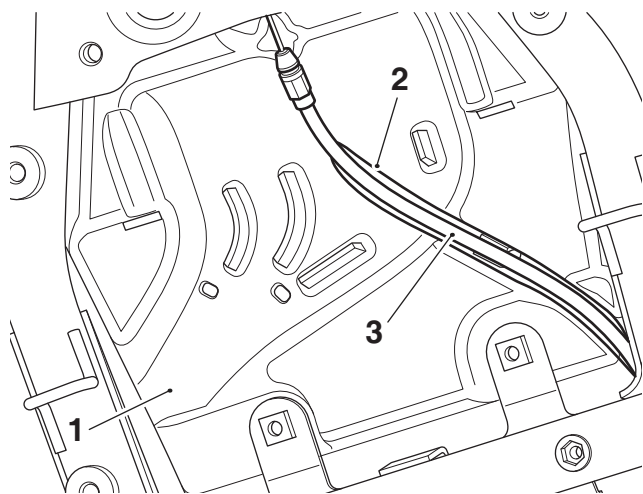
- 1. Mudguard and rear light sub-assembly
- 2. Screws
- 3. Rear harness

48. Fit the two original flanged sleeves through the grommets at the rear mudguard front fixing positions. Fit the original screws and tighten to **10 Nm**.



- 1. Rear mudguard
- 2. Grommet
- 3. Flanged sleeves
- 4. Screws

49. Fit the seat latch cable into the recessed groove in the rear mudguard.

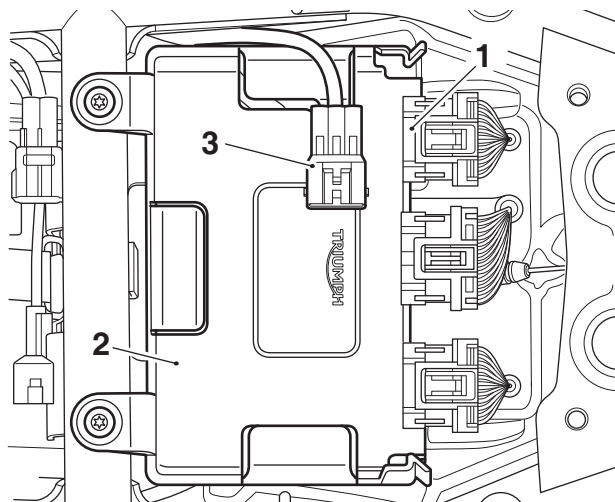


- 1. Rear mudguard
- 2. Recessed groove
- 3. Seat latch cable

50. Route the harness for the ECU in to the rear mudguard.

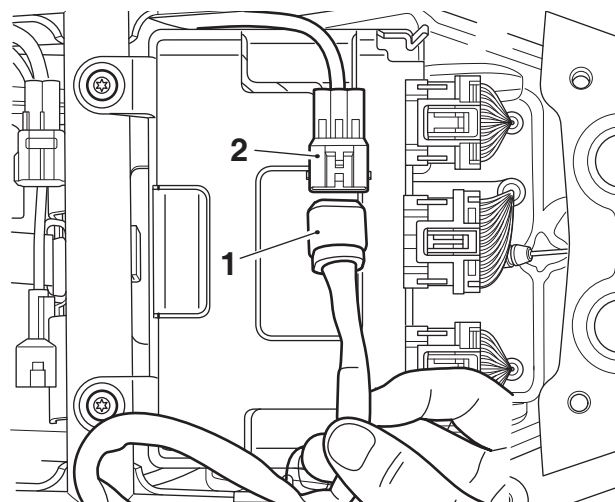
51. Fit the original ECU mounting bracket with the original fixings. Tighten the fixings to **3 Nm**.

52. Locate the ECU in position on the ECU bracket. Ensure the main wiring harness connector is clipped on to the bracket, as shown.



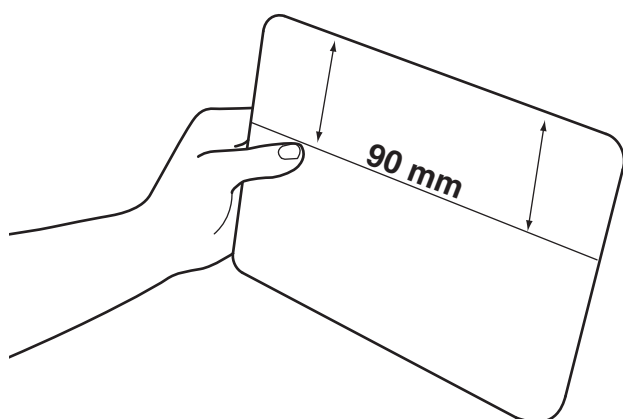
- 1. ECU
- 2. Retaining cover
- 3. Main wiring harness connector

53. Connect the rear harness connector to the motorcycle main wiring harness connector.



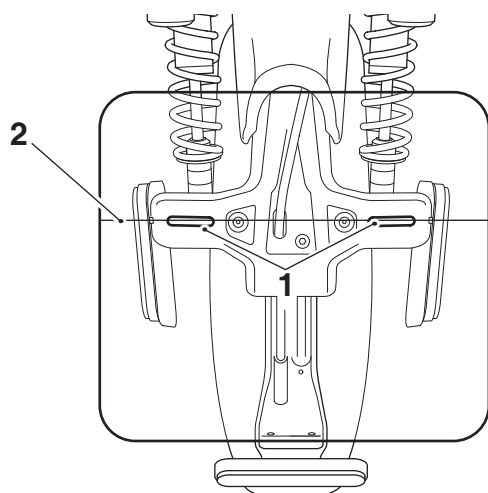
- 1. Rear harness connector
- 2. Main wiring harness connector

54. Mark a line on the rear of the licence plate, 90 mm from the top, as shown below.



Note:

- **Position the licence plate centrally on the licence plate hanger and align the 90 mm marked line with the slots in the licence plate hanger. Before drilling fixing holes in the licence plate ensure they will avoid any lettering, but will align with the slots in the licence plate hanger.**



1. Slots, licence plate hanger

2. Marked line, licence plate

55. Check the size of the original licence plate fixings and drill two suitably sized holes in the licence plate on the 90 mm marked line.
56. Fit the licence plate to the licence plate hanger with the original fixings.
57. Reconnect the battery, as described in the Service Manual.
58. Check that the indicators, rear light, brake light and licence plate light function correctly.
59. Refit the seat, as described in the Service Manual.



Warning

If, after fitment of this accessory kit, you have any doubt about the performance of any aspect of the motorcycle, contact an authorised Triumph dealer and do not ride the motorcycle until the authorised dealer has declared it fit for use. Riding a motorcycle when there is any doubt as to any aspect of the performance of the motorcycle may result in loss of motorcycle control and an accident.



Warning

Never ride an accessory equipped motorcycle at speeds above 80 mph (130 km/h).

The presence of accessories will cause changes in the stability and handling of the motorcycle. Failure to allow for changes in motorcycle stability may result in loss of motorcycle control and an accident.

Remember that the 80 mph (130 km/h) limit will be reduced by the fitting of non-approved accessories, incorrect loading, worn tyres, overall motorcycle condition and poor road or weather conditions.



Warning

The motorcycle must not be operated above the legal road speed limit except in closed-course conditions.



Warning

Only operate this Triumph motorcycle at high speed in closed-course, on-road competition or on closed-course racetracks. High-speed operation should only be attempted by riders who have been instructed in the techniques necessary for high-speed riding and are familiar with the motorcycle's characteristics in all conditions.

High-speed operation in any other circumstances is dangerous and may result in loss of motorcycle control and an accident.