



Accessory Fitting Instructions

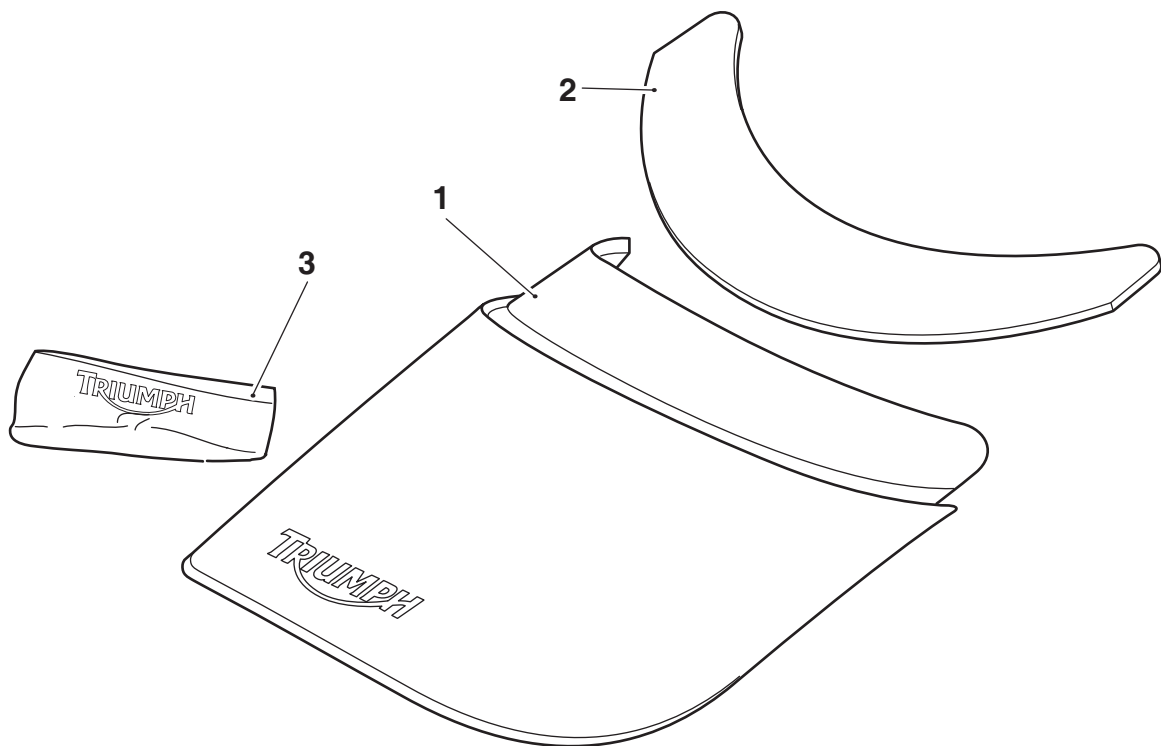
Front Mudguard Extension Kit	
Kit Number	Models Affected
A9708487	Scrambler 1200 XC, Scrambler 1200 XE, Scrambler 1200 X

Thank you for choosing this Triumph genuine accessory kit. This accessory kit is the product of Triumph's use of proven engineering, exhaustive testing, and continuous striving for superior reliability, safety and performance.

Completely read all of these instructions before commencing the installation of the accessory kit in order to become thoroughly familiar with the kit's features and the installation process.

These instructions should be considered a permanent part of your accessory kit, and should remain with it even if your accessory equipped motorcycle is subsequently sold.

Parts Supplied



1. Mudguard extension	1 off	3. Cleaning wipe	1 off
2. Adhesive pad	1 off		

Warning

The accessory kits covered in this instruction are designed for use on specific models of Triumph motorcycle. The accessory kits and the models applicable are listed at the start of the instruction. They should not be fitted to any other Triumph model or to any other manufacturer's motorcycle. Fitting an accessory kit to a Triumph model not listed, or to any other manufacturer's motorcycle will affect the performance, stability and handling of the motorcycle. This may result in loss of motorcycle control and an accident.

Warning

Always have Triumph approved parts, accessories and conversions fitted by a trained technician of an authorised Triumph dealer. The fitment of parts, accessories and conversions by a technician who is not of an authorised Triumph dealer may affect the handling, stability or other aspects of the motorcycle's operation which may result in loss of motorcycle control and an accident.

Warning

Throughout this operation, ensure that the motorcycle is stabilised and adequately supported to prevent risk of injury from the motorcycle falling.

Caution

When fitting the mudguard extension, ensure that the surfaces of the mudguard are protected from contact with other hard surfaces. Damage to the mudguard could result from inadequate care and/or protection during this process.

Note:

- Triumph offers a broad range of approved genuine accessories for your motorcycle. We cannot therefore cover all possible equipment variations in these instructions. For removal and installation of Triumph Genuine Accessories, always refer to the instructions supplied with the respective accessory kit. To obtain additional copies of any Triumph accessory instructions, visit www.triumphinstructions.com or contact your authorised Triumph dealer.

Caution

When fitting self-adhesive parts, care must be taken to ensure positioning is correct and accurate. Once the adhesive has been attached to the mounting surface, there is no satisfactory method of removal or re-positioning if incorrectly aligned. Initial bonding is instant, full bonding is achieved after 72 hours.

Note:

- Read the warning notices printed on the cleaning wipe packet provided in the kit.
- The surface to which the mudguard extension is affixed must be clean and dry to ensure that the adhesive has a sound base to adhere to.
- The minimum application temperature for the mudguard extension is 10°C.

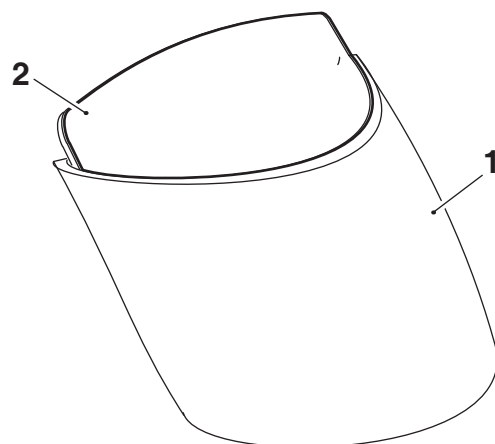
Note:

- The front mudguard must not be removed when fitting the accessory mudguard extension.

- Clean the underside of the rear section of the metal front mudguard using the cleaning wipe provided in the kit.

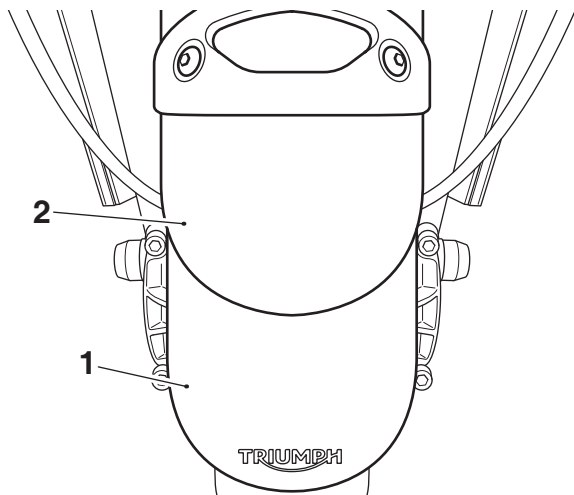
Note:

- The mudguard extension is secured to the front mudguard with the adhesive pad only.
- Remove the protective film from one side only of the adhesive pad provided in the kit. Align the adhesive pad with the moulded feature of the mudguard extension and press firmly over the full surface of the adhesive pad to secure. Maintain even hand pressure for 30 seconds to ensure a good bond.



- Mudguard extension
- Adhesive pad

3. Remove the protective film from the top of the adhesive pad.
4. Position the mudguard extension to the inside of the rear edge of the metal front mudguard, taking care to ensure the moulded feature on the extension is aligned correctly to the lower edge of the mudguard.



1. Mudguard extension
2. Front mudguard

5. Press the moulded feature of the mudguard extension firmly on to the front mudguard to secure. Maintain even hand pressure for 30 seconds to ensure a good bond.
6. Ensure there is adequate clearance between the mudguard extension and the tyre.

Warning

If, after fitment of this accessory kit, you have any doubt about the performance of any aspect of the motorcycle, contact an authorised Triumph dealer and do not ride the motorcycle until the authorised dealer has declared it fit for use. Riding a motorcycle when there is any doubt as to any aspect of the performance of the motorcycle may result in loss of motorcycle control and an accident.

Warning

Never ride an accessory equipped motorcycle at speeds above 80 mph (130 km/h).

The presence of accessories will cause changes in the stability and handling of the motorcycle. Failure to allow for changes in motorcycle stability may result in loss of motorcycle control and an accident.

Remember that the 80 mph (130 km/h) limit will be reduced by the fitting of non-approved accessories, incorrect loading, worn tyres, overall motorcycle condition and poor road or weather conditions.

Warning

The motorcycle must not be operated above the legal road speed limit except in closed course conditions.

Warning

Only operate this Triumph motorcycle at high speed in closed course, on-road competition or on closed course racetracks. High speed operation should only be attempted by riders who have been instructed in the techniques necessary for high speed riding and are familiar with the motorcycle's characteristics in all conditions.

High speed operation in any other circumstances is dangerous and may result in loss of motorcycle control and an accident.