



Accessory Fitting Instructions

Twin Seat Assembly Kit	
Kit Number	Models Affected
A9708413 A9708509	Street Scrambler up to VIN AE9847 with Euro 4 engine ECM (see page 2)
A9708580 A9708581	Street Scrambler from VIN AE9847, Scrambler 900
Bench Seat Kit, Ribbed - Black	
Kit Number	Models Affected
A9708476	Street Scrambler up to VIN AE9847 with Euro 4 engine ECM (see page 2)
A9708592 A9708611	Street Twin, Speed Twin 900, Street Cup, Street Scrambler, Scrambler 900, Bonneville T100 from VIN 759204, Bonneville T120
Bench Seat Kit, Quilted - Black	
Kit Number	Models Affected
A9708477	Street Scrambler up to VIN AE9847 with Euro 4 engine ECM (see page 2)
A9708594 A9708613	Street Twin, Speed Twin 900, Street Cup, Street Scrambler, Scrambler 900, Bonneville T100 from VIN 759204, Bonneville T120
Bench Seat Kit, Ribbed - Brown	
Kit Number	Models Affected
A9708478	Street Scrambler up to VIN AE9847 with Euro 4 engine ECM (see page 2)
A9708593 A9708612	Street Twin, Speed Twin 900, Street Cup, Street Scrambler, Scrambler 900, Bonneville T100 from VIN 759204, Bonneville T120
Bench Seat Kit, Quilted - Brown	
Kit Number	Models Affected
A9708479	Street Scrambler up to VIN AE9847 with Euro 4 engine ECM (see page 2)
A9708595 A9708614	Street Twin, Speed Twin 900, Street Cup, Street Scrambler, Scrambler 900, Bonneville T100 from VIN 759204, Bonneville T120

Note:

- **Accessory bench seats must not be fitted to motorcycles fitted with a grab rail, luggage rack or top box mount.**

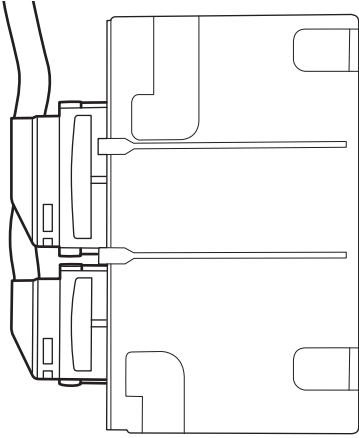
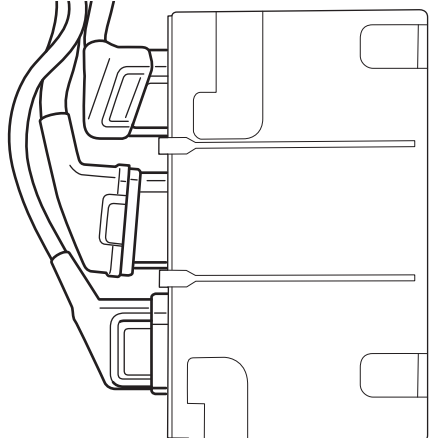
Thank you for choosing this Triumph genuine accessory kit. This accessory kit is the product of Triumph's use of proven engineering, exhaustive testing, and continuous striving for superior reliability, safety and performance.

Completely read all of these instructions before commencing the installation of the accessory kit in order to become thoroughly familiar with the kit's features and the installation process.

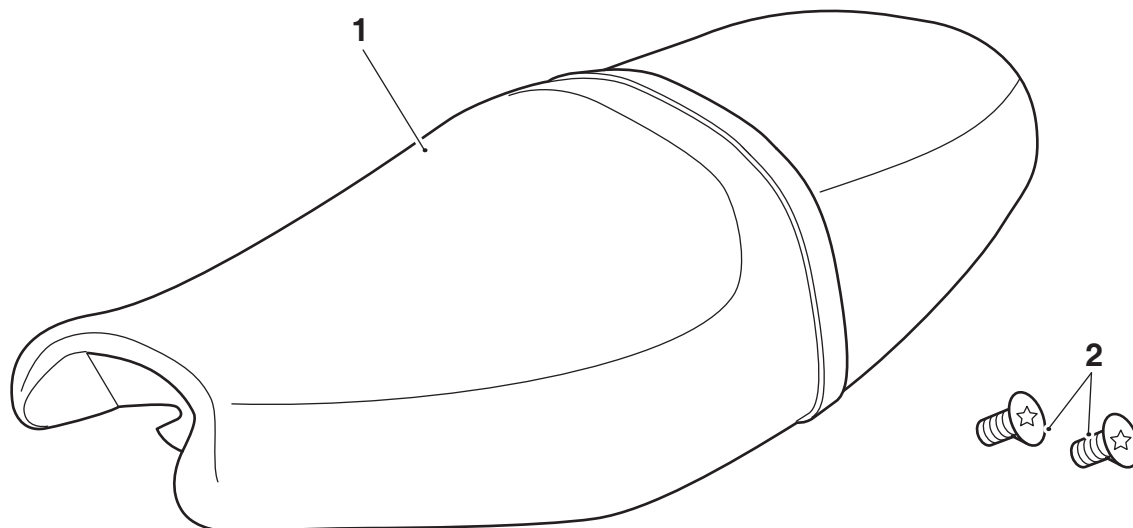
These instructions should be considered a permanent part of your accessory kit, and should remain with it even if your accessory equipped motorcycle is subsequently sold.

Note:

- **The engine ECM is located under the seat.**

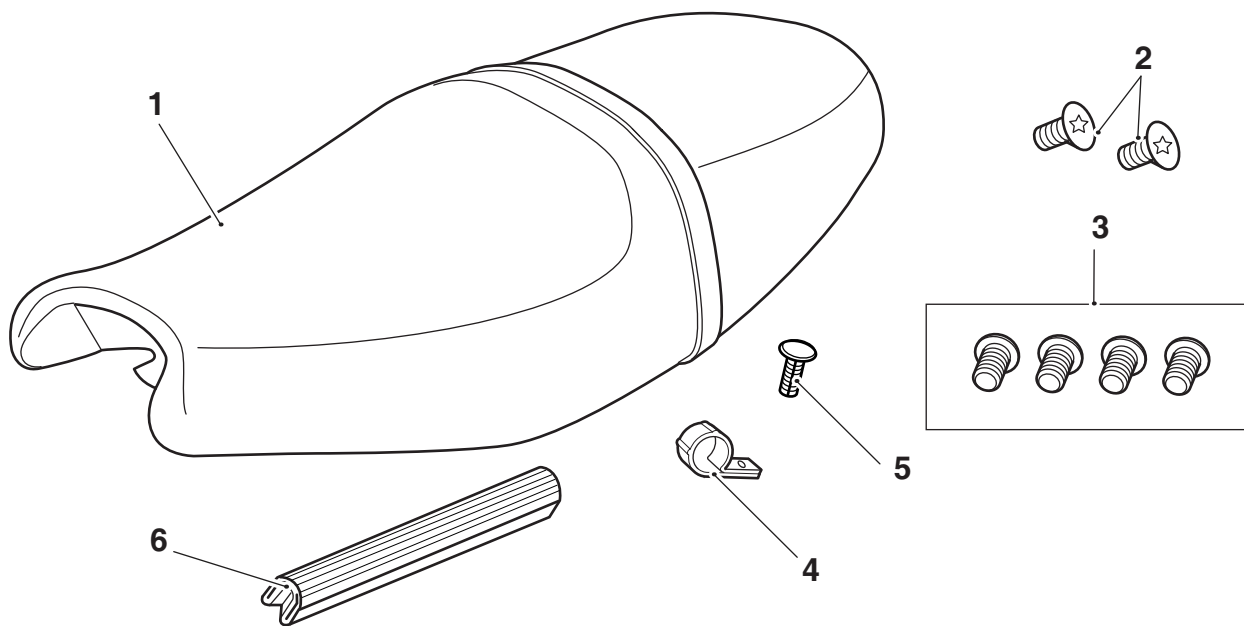
Engine ECM Identification	
Euro 4 ECM	Euro 5 ECM
	
Two connectors	Three connectors

Parts supplied: A9708413, A9708509



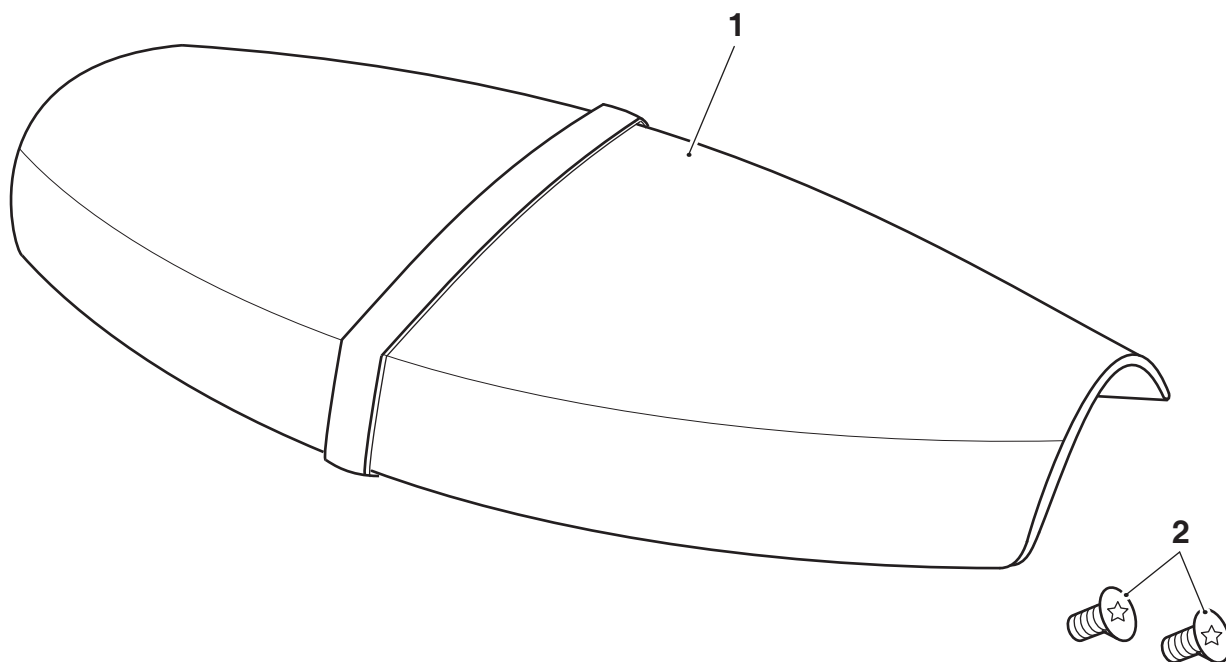
1. Twin seat assembly	1 off	2. Fixing, M6 x 25 mm	2 off
-----------------------	-------	-----------------------	-------

Parts supplied: A9708580, A9708581



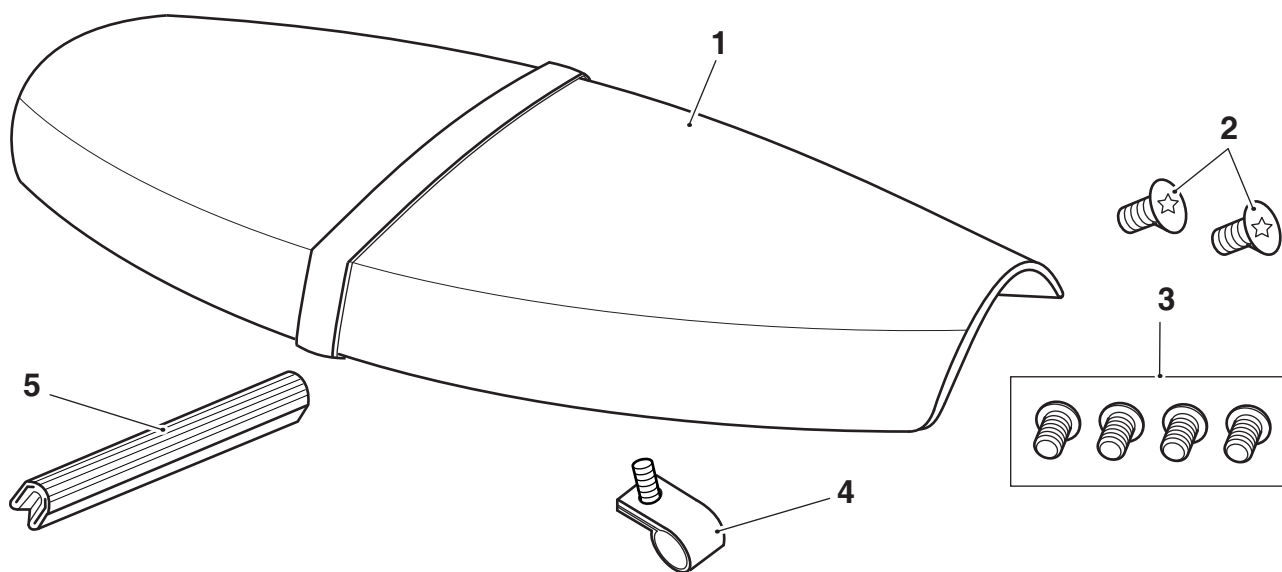
1. Twin seat assembly	1 off	4. Cable clip (if supplied)	1 off
2. Fixing, M6 x 25 mm countersunk head	2 off	5. Firtree fixing (if supplied)	1 off
3. Fixing, M6 x 25 mm pan head (if supplied)	4 off	6. Trim (if supplied)	1 off

Parts supplied: A9708476, A9708477, A9708478, A9708479, A9708592, A9708593, A9708594, A9708595



1. Bench seat	1 off	2. Fixing, M6 x 25 mm	2 off
---------------	-------	-----------------------	-------

Parts supplied: A9708611, A9708612, A9708613, A9708614



1. Bench seat	1 off	4. Cable clip	1 off
2. Fixing, M6 x 25 mm countersunk head	2 off	5. Trim	1 off
3. Fixing, M6 x 25 mm pan head	4 off		



Warning

Fit only genuine Triumph accessories to those models approved by Triumph as listed in the associated Triumph fitting instructions. The accessory kits covered in this instruction are designed for use on specific models of Triumph motorcycle. The accessory kits and the models applicable are listed at the start of the instruction. They should never be fitted to any other Triumph model or to any other manufacturer's motorcycle. Fitting an accessory kit to a Triumph model not listed, or to any other manufacturer's motorcycle will affect the performance, stability and handling of the motorcycle. This may affect the rider's ability to control the motorcycle and could result in an accident causing severe injuries or death.



Warning

Always have Triumph approved parts, accessories and conversions fitted by a trained technician of an authorised Triumph dealer. The fitment of parts, accessories and conversions by a technician who is not of an authorised Triumph dealer may affect the handling, stability or other aspects of the motorcycle's operation which may result in loss of motorcycle control and an accident.



Warning

Make sure the motorcycle is supported. A correctly supported motorcycle will help prevent it from falling. An unstable motorcycle may fall, causing injury to the operator or damage to the motorcycle.

Note:

- Triumph offers a broad range of approved genuine accessories for your motorcycle. We cannot therefore cover all possible equipment variations in these instructions. For removal and installation of Triumph Genuine Accessories, always refer to the instructions supplied with the respective accessory kit. To obtain additional copies of any Triumph accessory instructions, visit www.triumphinstructions.com or contact your authorised Triumph dealer.

Note:

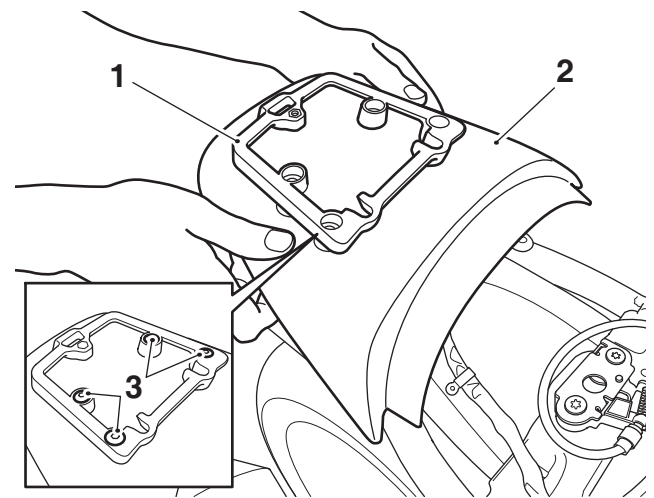
- The fixings, cable clip and trim included with the accessory seat are only used on Street Scrambler and Scrambler 900 models. For all other models they should be discarded.

All Models

- Remove the seat, as described in the Service Manual. Retain the seat for reuse if the motorcycle is to be returned to its original condition.

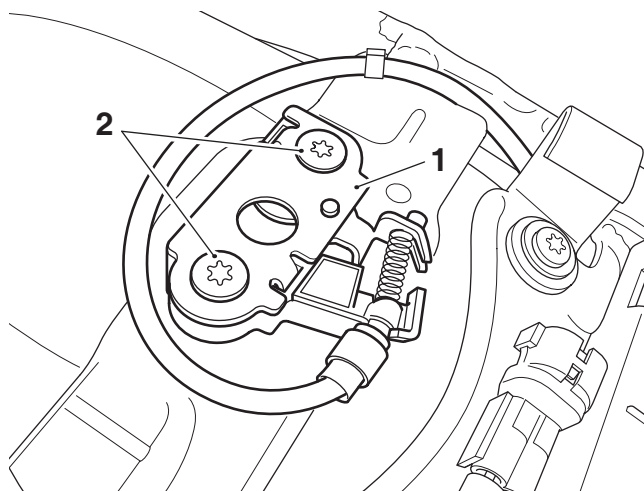
Street Scrambler and Scrambler 900 Models Only

- Remove the rear rack as described in the Service Manual. Retain the rear rack and fixings for reuse if the motorcycle is to be returned to its original condition.
- Remove the rear rack mounting fixings. Remove the rear rack mounting and seat cowl. Retain the rear rack mounting, seat cowl and fixings for reuse if the motorcycle is to be returned to its original condition.



- Rear rack mounting
- Seat cowl
- Fixings

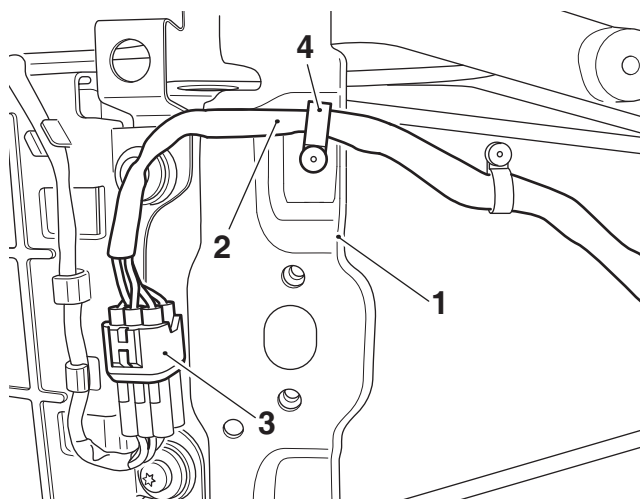
- Remove the seat latch fixings. Discard the fixings.



- Seat latch
- Fixings

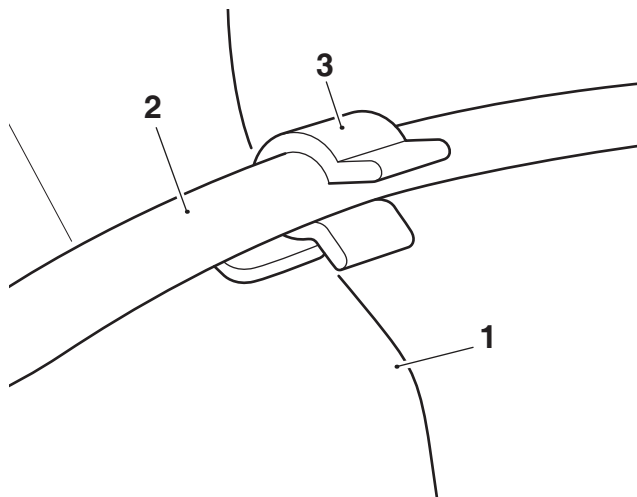
Note:

- For Accessory Kits which include the pan head fixings, cable clip and trim, follow steps 5 to 16.
 - For Accessory Kits which do not include the pan head fixings, cable clip and trim, continue from step 17.
- Disconnect the rear light connector from the main wiring harness and remove cable clip retaining the wiring harness to the frame bridge. Discard the cable clip.



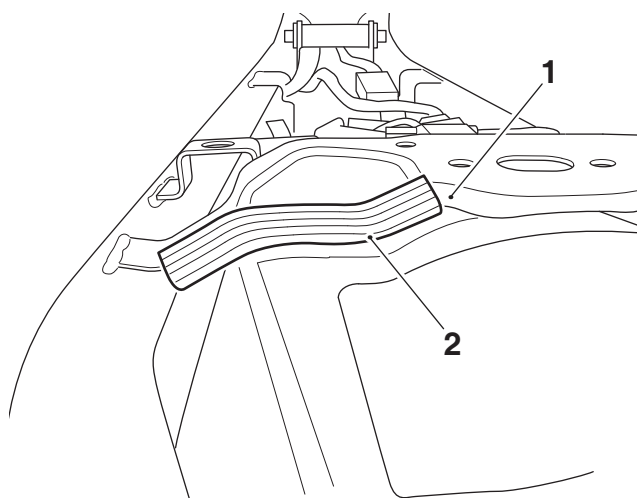
- Frame bridge
- Wiring harness
- Rear light connector
- Cable clip

- Remove the four rear mudguard fixings and carefully lower the rear mudguard onto the rear wheel. Discard the fixings.
- Remove the seat latch cable from the cable clip on the frame bridge. Remove the cable clip by pressing from the underside of the frame bridge and discard.



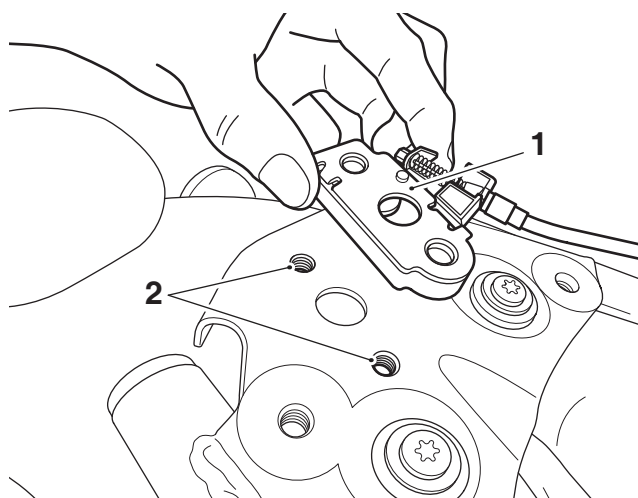
- Frame bridge
- Seat latch cable
- Cable clip

- Fit the trim from the kit to the rear left hand side edge of the frame bridge, as shown.



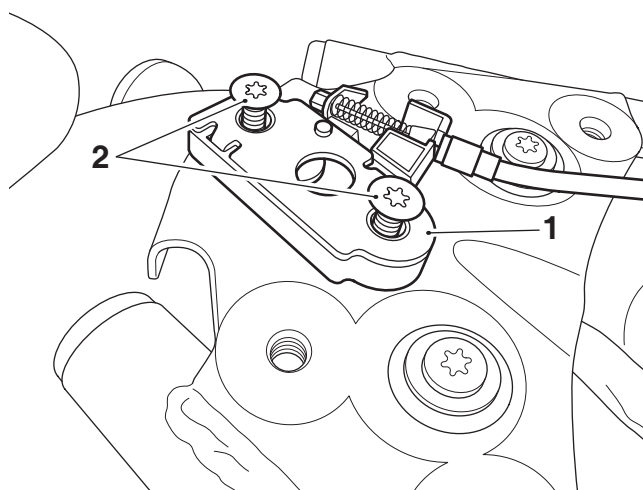
- Frame bridge
- Trim

- Route the seat latch under the left hand side of the frame bridge and relocate it to the rear mounting position on the motorcycle frame, in the orientation shown.



- Seat latch
- Rear mounting position

- Fit the M6 x 25 mm countersunk head fixings from the kit. Tighten the fixings to **6 Nm**.



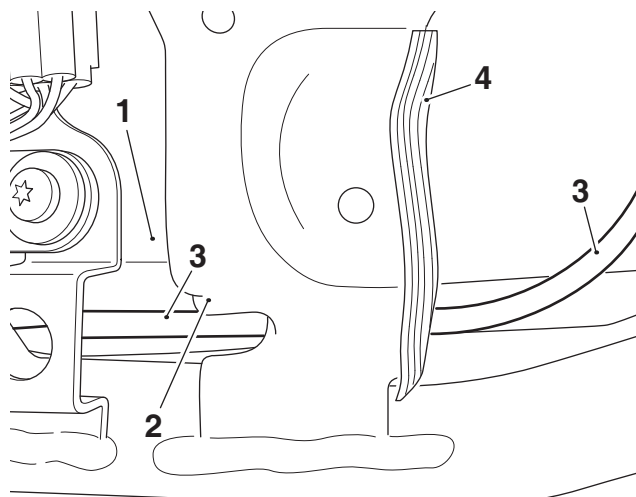
- Seat latch
- Fixings



Warning

Make sure the seat latch cable is not trapped or pinched when fitting the mudguard. A seat latch cable trapped or pinched may affect the operation of the seat latch. A restricted seat latch operation may prevent the seat from being secured to the seat latch. A loose or detached seat could cause loss of motorcycle control and an accident.

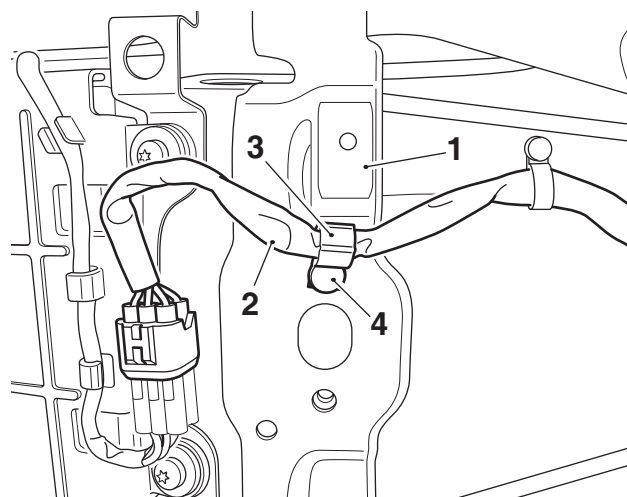
- Refit the rear mudguard using the four M8 x 25 mm pan head fixings from the kit. Make sure the seat latch cable is routed to the left hand side of the mudguard as shown, and is not trapped or pinched between the frame bridge and rear mudguard. Tighten the fixings to **10 Nm**.



- Rear mudguard
- Frame bridge
- Seat latch cable
- Trim

Twin Seat Accessory Kits Only

- Reconnect the rear light connector to the main wiring harness.
- Fit the cable clip from the kit onto the wiring harness in the orientation shown. Align the cable clip with the original seat latch fixing position on the frame bridge and fit the firtree fixing, as shown below.



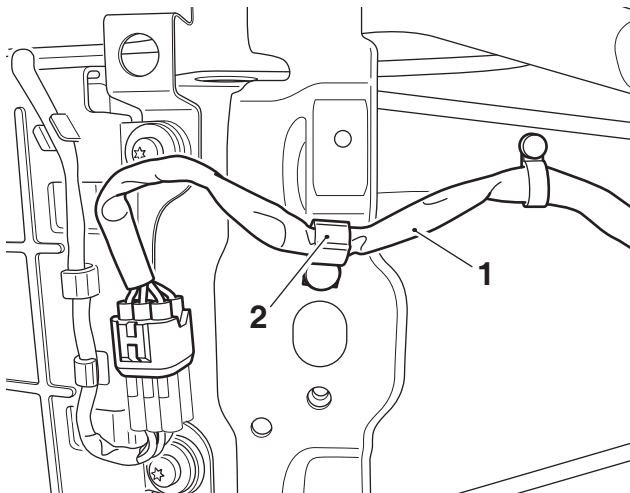
- Frame bridge
- Wiring harness
- Cable clip
- Firtree fixing



Caution

A wiring harness which becomes trapped or kinked during installation, or general motorcycle operation, may result in wiring harness damage and electrical malfunctions.

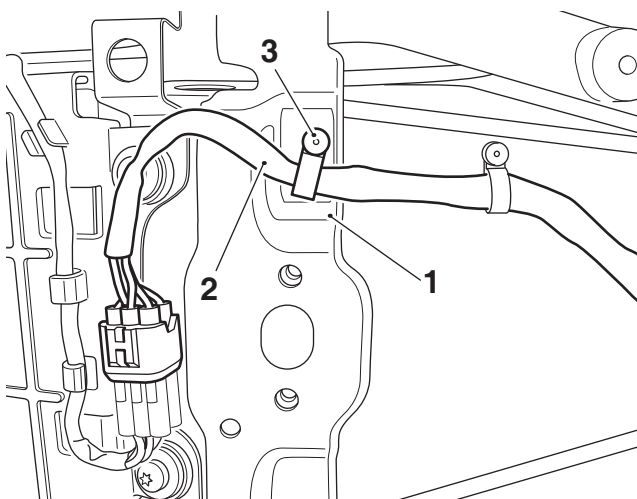
14. Adjust the position of the wiring harness if necessary, making sure it has no tight bends or kinks either side of the cable clip, as shown.



1. Wiring harness
2. Cable clip

Bench Seat Accessory Kits Only

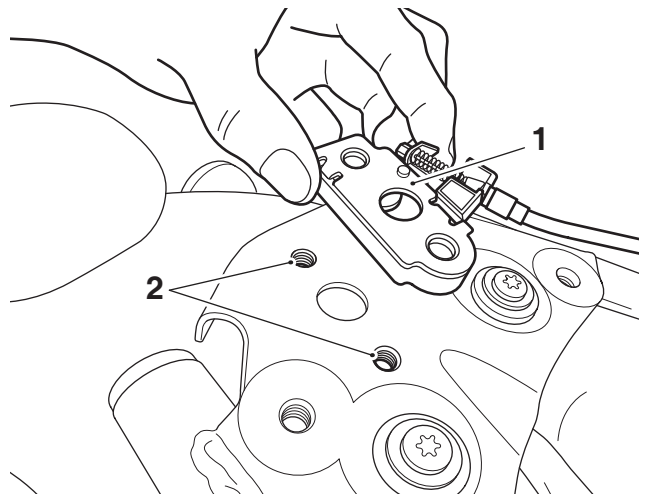
15. Reconnect the rear light connector to the main wiring harness.
16. Fit the cable clip from the kit onto the wiring harness in the orientation shown. Fit the cable clip fixing into the original fixing position on the frame bridge, as shown below.



1. Frame bridge
2. Wiring harness
3. Cable clip

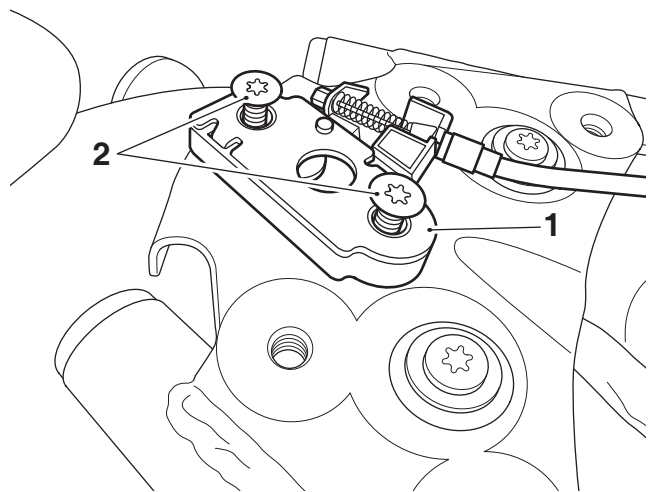
Accessory Kits which do not include the pan head fixings, cable clip and trim

17. Relocate the seat latch to the rear mounting position on the motorcycle frame, in the orientation shown.



1. Seat latch
2. Rear mounting position

18. Fit the M6 x 25 mm countersunk head fixings from the kit. Tighten the fixings to **6 Nm**.



1. Seat latch
2. Fixings

Bonneville T100 and Bonneville T120 Models fitted with a grab rail, luggage rack or top box mount

19. Remove the rear mudguard as described in the Service Manual.
20. Remove the grab rail, luggage rack or top box mount. Retain the grab rail, luggage rack or top box mount and fixings for reuse if the motorcycle is to be returned to its original condition.
21. Refit the rear mudguard as described in the Service Manual.

Street Twin, Speed Twin 900, Street Cup Models fitted with a grab rail, luggage rack or top box mount

22. If fitted, remove the grab rail, luggage rack or top box mount. Retain the grab rail, luggage rack or top box mount and fixings for reuse if the motorcycle is to be returned to its original condition.

All Models

Note:

- **The method of fitting the accessory seat is the same as that for the original seat.**
23. Fit the seat, as described in the Service Manual.

 **Warning**

Check for correct seat latch cable operation before fitting the seat. To prevent detachment of the seat during riding, after fitting, always grasp the rear of the seat and pull firmly upwards. If the seat is not correctly secured in the seat latch, it will detach from the seat latch. A loose or detached seat could cause loss of motorcycle control and an accident.

 **Warning**

If, after fitting this accessory kit, you have any doubt about the performance of any aspect of the motorcycle, contact an authorised Triumph dealer and do not ride the motorcycle until the authorised dealer has declared it fit for use. Riding a motorcycle when there is any doubt as to any aspect of the performance of the motorcycle may result in loss of motorcycle control and an accident.

 **Warning**

Never ride an accessory-equipped motorcycle at speeds above 80 mph (130 km/h).

The presence of accessories will cause changes in the stability and handling of the motorcycle. Failure to allow for changes in motorcycle stability may result in loss of motorcycle control and an accident.

Remember that the 80 mph (130 km/h) limit will be reduced by the fitting of non-approved accessories, incorrect loading, worn tyres, overall motorcycle condition and poor road or weather conditions.

 **Warning**

The motorcycle must not be operated above the legal road speed limit except in closed-course conditions.

 **Warning**

Only operate this Triumph motorcycle at high speed in closed-course, on-road competition or on closed-course racetracks. High-speed operation should only be attempted by riders who have been instructed in the techniques necessary for high-speed riding and are familiar with the motorcycle's characteristics in all conditions.

High-speed operation in any other circumstances is dangerous and may result in loss of motorcycle control and an accident.