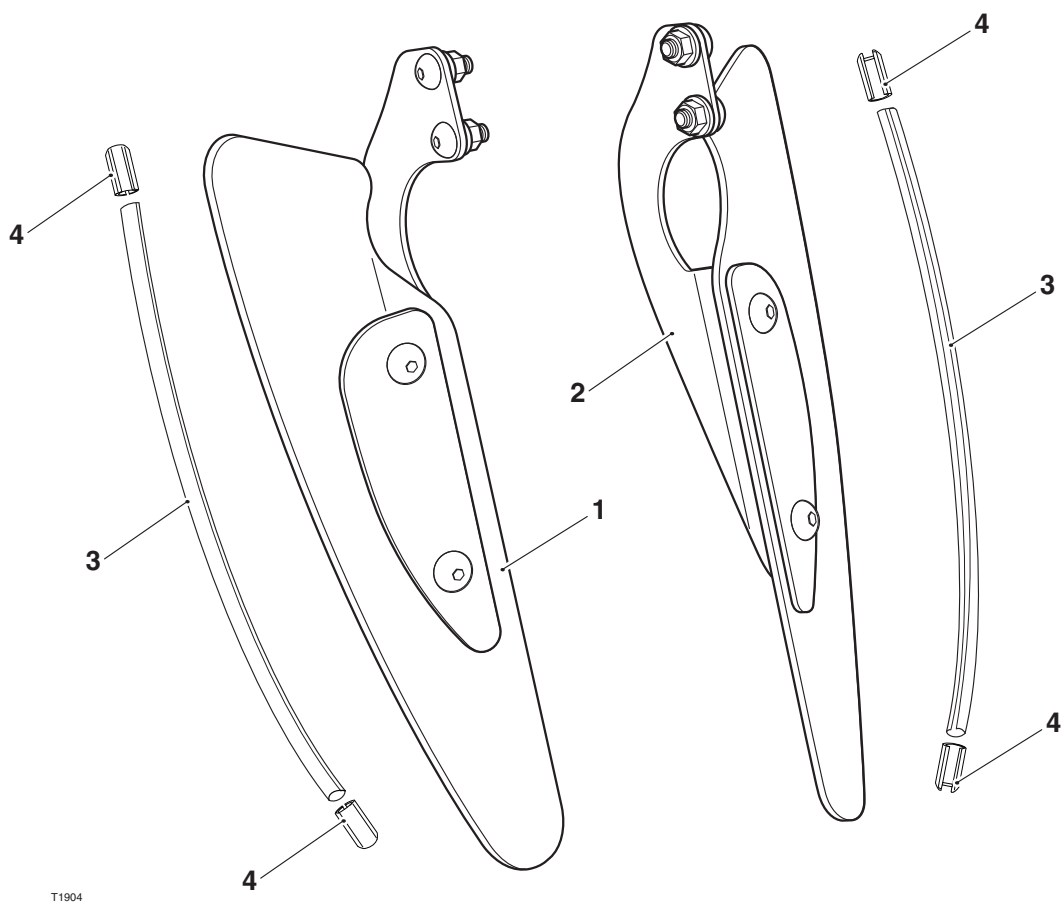


Fitting Instructions:
Thunderbird LT
A9708355

Thank you for choosing this Triumph genuine accessory kit. This accessory kit is the product of Triumph's use of proven engineering, exhaustive testing, and continuous striving for superior reliability, safety and performance.

Completely read all of these instructions before commencing the installation of the accessory kit in order to become thoroughly familiar with the kit's features and the installation process.

These instructions should be considered a permanent part of your accessory kit, and should remain with it even if your accessory equipped motorcycle is subsequently sold.



T1904

Parts Supplied:

1.	Lower air deflector, right hand	1 off	3.	Edge trim	2 off
2.	Lower air deflector, left hand	1 off	4.	Edge trim finisher	4 off

Warning

This accessory kit is designed for use on Triumph Thunderbird LT motorcycles only and should not be fitted to any other Triumph model or to any other manufacturer's motorcycle. Fitting this accessory kit to any other Triumph model or to any other manufacturer's motorcycle, may interfere with the rider and could affect the stability and handling of the motorcycle, leading to loss of control and an accident.

Warning

Always have Triumph approved parts, accessories and conversions fitted by a trained technician of an authorised Triumph dealer. The fitment of parts, accessories and conversions by a technician who is not of an authorised Triumph dealer may affect the handling, stability or other aspects of the motorcycle's operation which may result in loss of motorcycle control and an accident.

Warning

Throughout this operation, ensure that the motorcycle is stabilised and adequately supported to prevent risk of injury from the motorcycle falling.

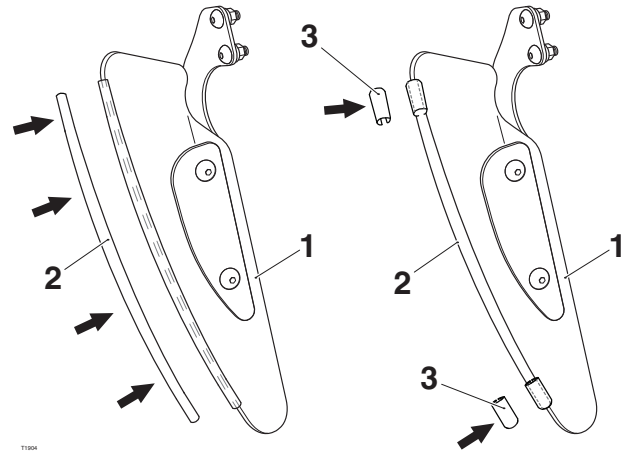
Warning

Failure to tighten any of the fasteners to the correct torque specification may result in loss of motorcycle control and an accident. Always use a calibrated torque wrench.

Note:

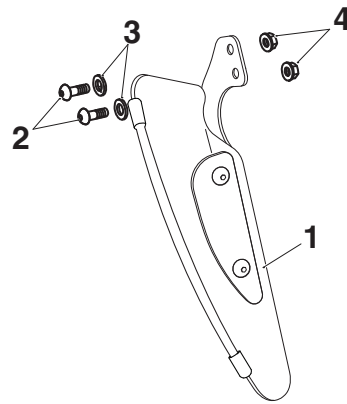
- Before fitting this accessory kit, ensure the owner of the motorcycle has been informed of the warnings contained in these instructions.

1. Collect the right hand lower air deflector from the kit.
2. Collect an edge trim and two edge trim finishers from the parts kit. Position the edge trim over the outer edge of the air deflector and secure in place using the edge trim finishers.



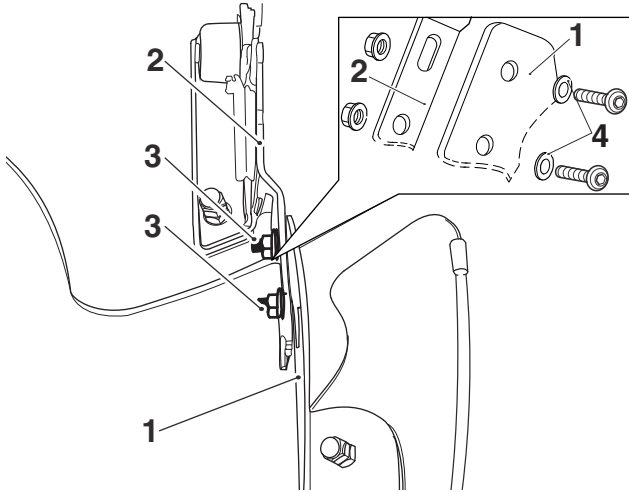
1. Lower air deflector (right hand shown)
2. Edge trim
3. Edge trim finisher

3. Remove the fixings from the lower air deflector bracket and retain for use during installation.



1. Lower air deflector (right hand shown)
2. Fixings
3. Washers
4. Nuts

4. If fitted, turn the windscreen lock to the unlocked position.
5. Remove the windscreen as described in the Owner's Handbook.
6. Fit the right hand lower air deflector assembly to the windshield upper mounting bracket ensuring the washers are positioned as shown below. Tighten the fixings to **8 Nm**.



1. Lower air deflector (right hand shown)
2. Windscreen bracket (right hand shown)
3. Nuts
4. Washers

7. Repeat steps 2 to 6 for the left hand side.
8. Refit the windscreen as described in the Owner's Handbook.
9. If fitted, turn the windscreen lock to the locked position and remove the key.

Warning

After fitting the accessory kit, the motorcycle will exhibit new handling characteristics. Operate the motorcycle in a safe area free from traffic to gain familiarity with any new characteristics. Operation of the motorcycle when not familiar with any new handling characteristics may result in loss of motorcycle control and an accident.

Warning

If, after fitment of this accessory kit, you have any doubt about the performance of any aspect of the motorcycle, contact an authorised Triumph dealer and do not ride the motorcycle until the authorised dealer has declared it fit for use. Riding a motorcycle when there is any doubt as to any aspect of the performance of the motorcycle may result in loss of control of the motorcycle leading to an accident.

Warning

Never ride an accessory equipped motorcycle at speeds above 80 mph (130 km/h).

The presence of accessories will cause changes in the stability and handling of the motorcycle. Failure to allow for changes in motorcycle stability may lead to loss of control or an accident.

Remember that the 80 mph (130 km/h) limit will be reduced by the fitting of non-approved accessories, incorrect loading, worn tyres, overall motorcycle condition and poor road or weather conditions.

Warning

Only operate this Triumph motorcycle at high speed in closed course, on-road competitions or on closed course racetracks. High speed operation should only be attempted by riders who have been instructed in the techniques necessary for high speed riding and are familiar with the motorcycle's characteristics in all conditions.

High speed operation in any other circumstances is dangerous and will lead to loss of motorcycle control and an accident.



Warning

The motorcycle must not be operated above the legal road speed limit except in closed course conditions.



Warning

Never attempt to clean or adjust the windscreen while riding the motorcycle. Removal of the rider's hands from the handlebars while riding the motorcycle will diminish the ability of the rider to maintain the control of the motorcycle. Attempting to clean or adjust the windscreen while riding the motorcycle may result in loss of control of the motorcycle and an accident.



Warning

The windscreen is no substitute for a safety helmet or eye protection. Windscreens are designed to provide wind protection and increased rider comfort. They are not designed to provide protection in the event of a collision with another vehicle, the road, birds or any other objects. When riding a motorcycle, both rider and passenger must always wear a safety helmet, eye protection, gloves, boots and trousers (close fitting around the knees and ankles). Although full protection is not possible, wearing the correct protective clothing can reduce the risk of serious injury when riding.

Cleaning and Maintenance



Caution

The use of high-pressure spray washers is not recommended. When using pressure washers, water may be forced into bearings and other components causing premature wear from corrosion and loss of lubrication.

Regularly clean the windscreen and lower air deflectors with cold water and a mild automotive cleaner.

Avoid spraying water with any great force directly on to the windscreen, lower air deflectors and mountings.