



Accessory Fitting Instructions

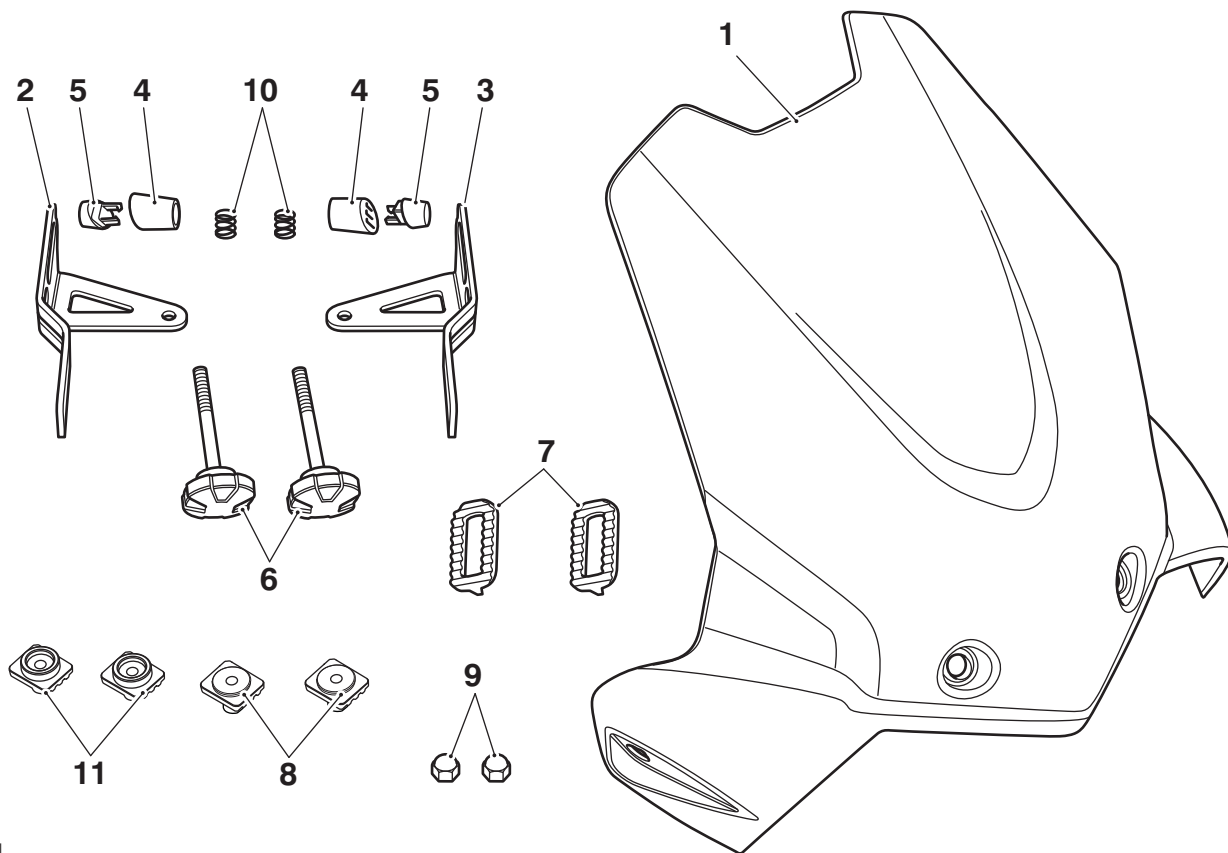
Adjustable High Screen Kit	
Kit number	Models Affected
A9708248 and A9708272	Tiger XC, Tiger XCA, Tiger XCx, Tiger XR, Tiger 800, Tiger 800 ABS, Tiger 800XC, Tiger 800XC ABS, Tiger 800 XR
A9708399 and A9708400	Tiger XRτ, Tiger XRx

Thank you for choosing this Triumph genuine accessory kit. This accessory kit is the product of Triumph's use of proven engineering, exhaustive testing, and continuous striving for superior reliability, safety and performance.

Completely read all of these instructions before commencing the installation of the accessory kit in order to become thoroughly familiar with the kit's features and the installation process.

These instructions should be considered a permanent part of your accessory kit, and should remain with it even if your accessory equipped motorcycle is subsequently sold.

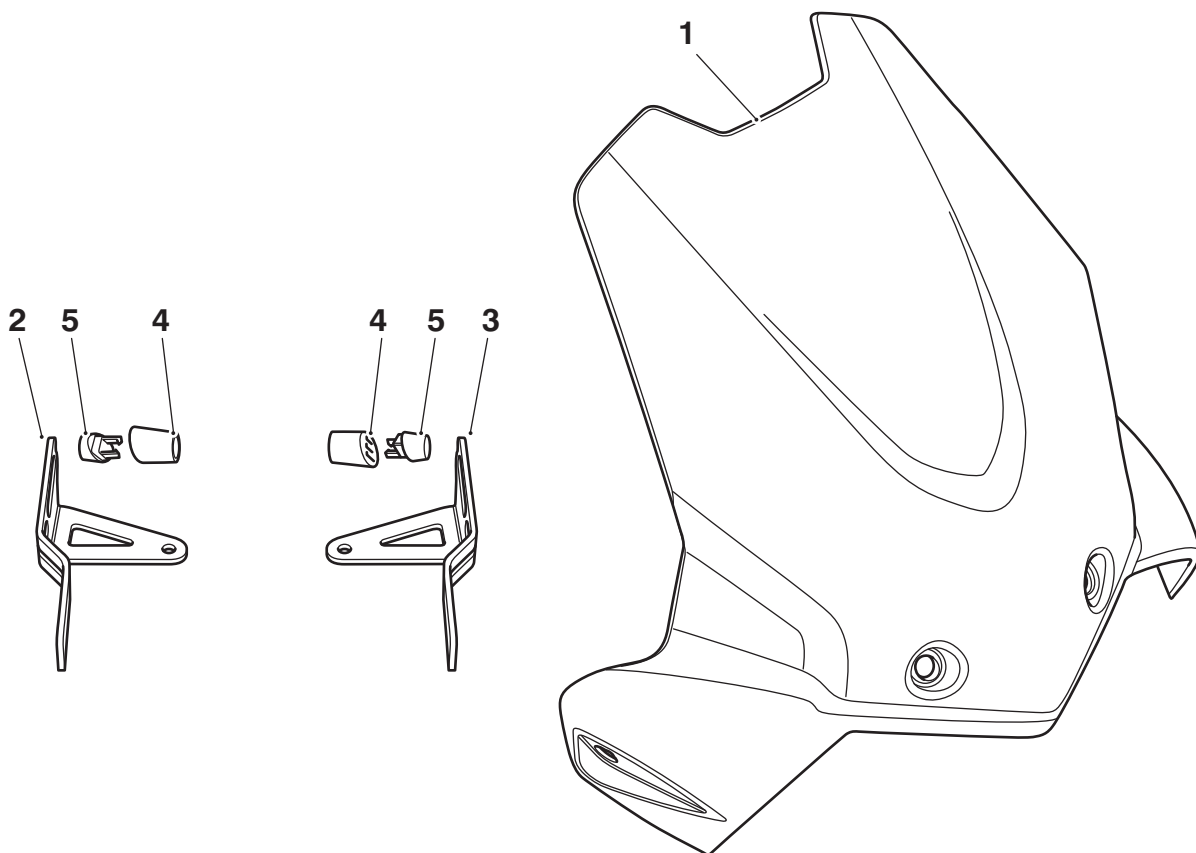
Parts supplied



cgnl

1.	High windscreen	1 off	7.	Adjustment plate	2 off
2.	Mounting bracket LH	1 off	8.	Adjustment block, if supplied	2 off
3.	Mounting bracket RH	1 off	9.	Dome nut, M6	2 off
4.	Spacer, inner	2 off	10.	Spring	2 off
5.	Spacer, outer	2 off	11.	Adjustment block, shouldered, if supplied	2 off
6.	Adjuster knob	2 off			

Parts supplied



1.	High windscreen	1 off	4.	Spacer, inner	2 off
2.	Mounting bracket LH	1 off	5.	Spacer, outer	2 off
3.	Mounting bracket RH	1 off			

Warning

The accessory kits covered in this instruction are designed for use on specific models of Triumph motorcycle. The accessory kits and the models applicable are listed at the start of the instruction. They should not be fitted to any other Triumph model or to any other manufacturer's motorcycle. Fitting an accessory kit to a Triumph model not listed, or to any other manufacturer's motorcycle will affect the performance, stability and handling of the motorcycle. This may affect the rider's ability to control the motorcycle and could cause an accident.

Warning

Always have Triumph approved parts, accessories and conversions fitted by a trained technician of an authorised Triumph dealer. The fitment of parts, accessories and conversions by a technician who is not of an authorised Triumph dealer may affect the handling, stability or other aspects of the motorcycle's operation, which may result in loss of motorcycle control and an accident.

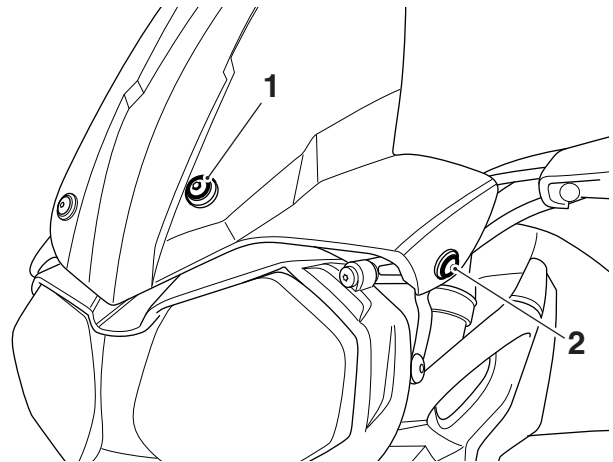
Warning

Throughout this operation, ensure that the motorcycle is stabilised and adequately supported to prevent risk of injury from the motorcycle falling.

Warning

A torque wrench of known accurate calibration must be used when fitting this accessory kit. Failure to tighten any of the fasteners to the correct torque specification may affect motorcycle performance, handling and stability. This may result in loss of motorcycle control and an accident.

1. Release the two front mounting fixings, collecting the nuts from the inside of the mounting as you do so. Retain the two front mounting fixings and nuts for reuse.



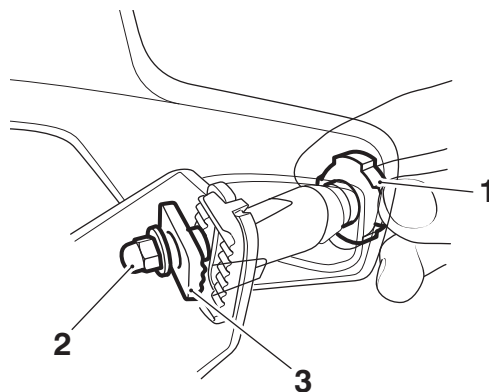
1. Front mounting fixings
2. Side fixings

Models without Adjustable Windscreen Mountings fitted

2. Remove the two side fixings and remove the standard windscreen. Retain the standard windscreen and side fixings for reuse if the motorcycle is to be returned to its original condition.

Models with Adjustable Windscreen Mountings fitted

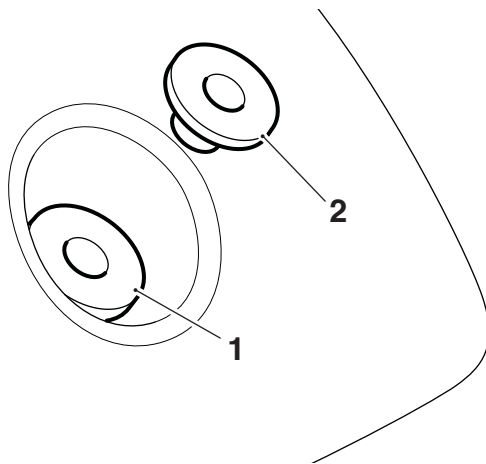
3. Release the dome nuts, washers, adjustment blocks and springs from the threaded part of each of the adjuster knobs and then remove the standard windscreen. Retain the adjuster knobs, dome nuts, washers, adjustment blocks and springs for reuse. Retain the standard windscreen for reuse if the motorcycle is to be returned to its original condition.



1. Adjuster knob
2. Domed nut
3. Adjustment block

All Models

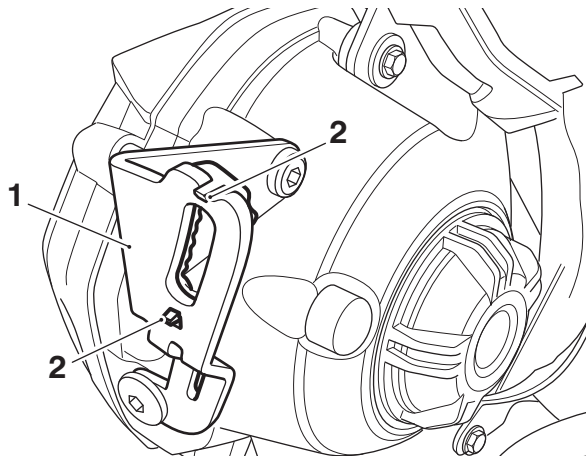
4. Remove the two front mounting flanged sleeves and grommets from the standard windscreen and fit to the high windscreen in the same positions.



1. Grommet
2. Flanged sleeve

Models with Adjustable Windscreen Mountings fitted

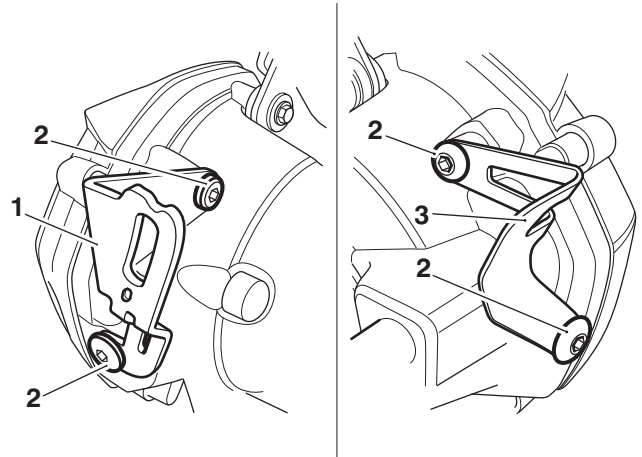
5. Release the adjustment plate tangs and remove both the left hand and right hand adjustment plates from their mounting brackets. Retain the adjustment plates for reuse.



1. Mounting bracket (left hand shown)
2. Adjustment plate tangs

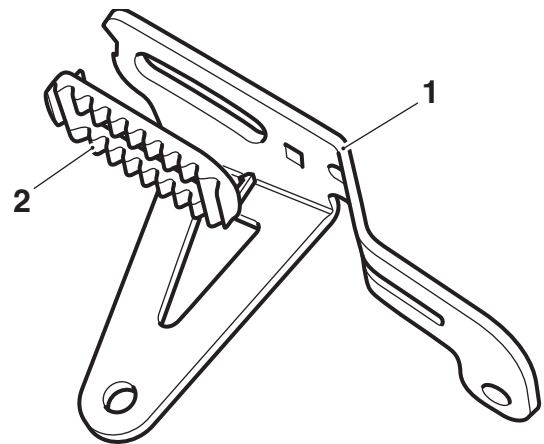
All Models

6. Noting the location of the fixings, remove the left hand and right hand windscreen mounting brackets from the headlamp. Retain the four fixings for reuse. Retain the brackets for reuse if the motorcycle is to be returned to its original condition.



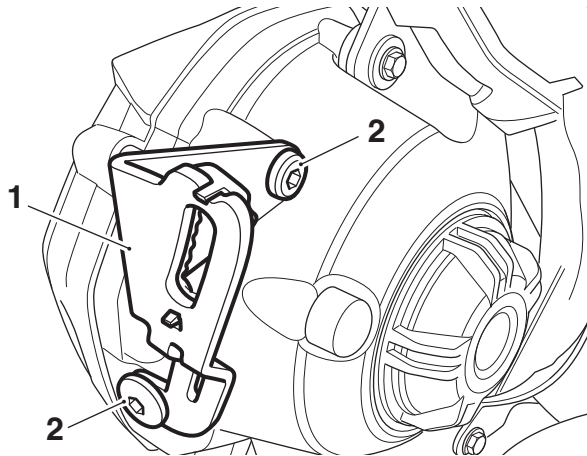
1. Windscreen mounting bracket (adjustable windscreen mountings)
2. Fixings
3. Windscreen mounting bracket (without adjustable windscreen mountings)

7. Fit an adjustment plate to the left hand and right hand mounting brackets supplied in the kit.



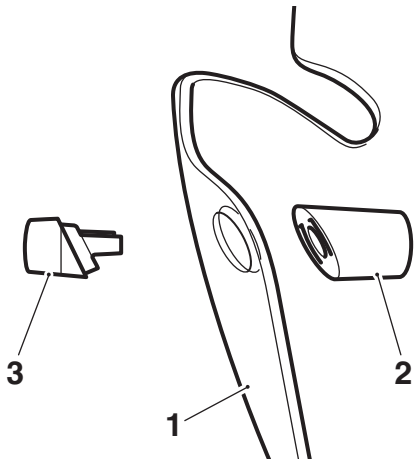
1. Mounting bracket (right hand shown)
2. Adjustment plate

- Fit the left hand and right hand mounting brackets to the headlamp, using the original fixings, in the locations noted during disassembly. Tighten the fixings to **5 Nm**.



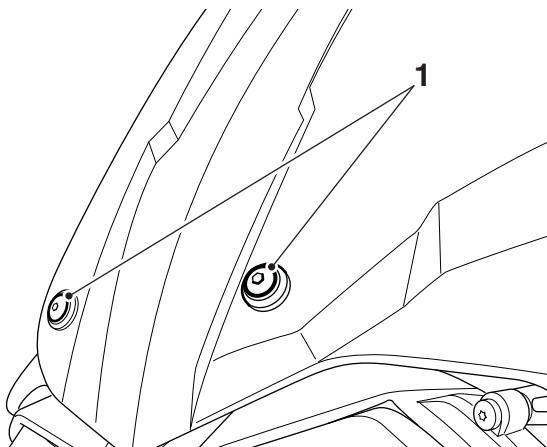
- Windscreen mounting bracket (left hand shown)
- Fixings

- Fit an inner and outer spacer to each side of the adjustable windscreen as shown below.



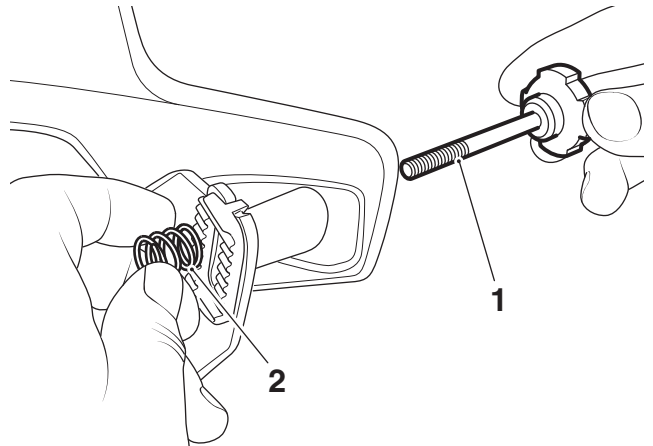
- Adjustable windscreen
- Inner spacer
- Outer spacer

- Fit the windscreen to the front mounting, using the original fixings. Tighten the fixings to **3 Nm**.



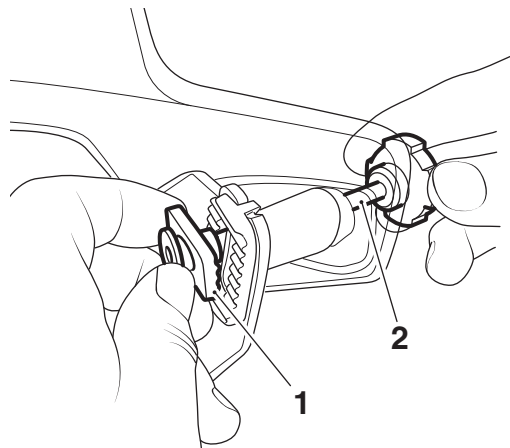
- Fixings

- Insert an adjuster knob through the right hand inner and outer spacers and mounting bracket and fit a spring over the adjuster knob thread.



- Adjuster knob
- Spring

- Position an adjustment block to the right hand mounting bracket and secure in position using the adjuster knob as shown below. Tighten the adjuster knob by hand.



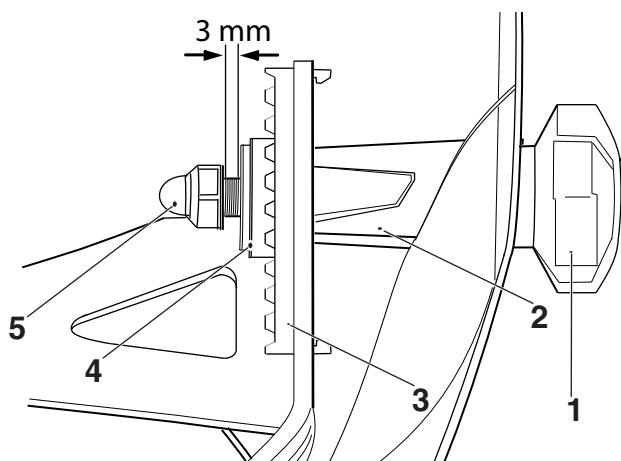
- Adjustment block
- Adjuster knob

- Repeat steps 11 and 12 for the left hand side.
- Ensure the adjustment blocks are both set to the same position in the adjustment plates.
- Screw a dome nut from the kit onto the threaded part of each of the adjustment knobs until an increase in resistance can be felt.

Note:

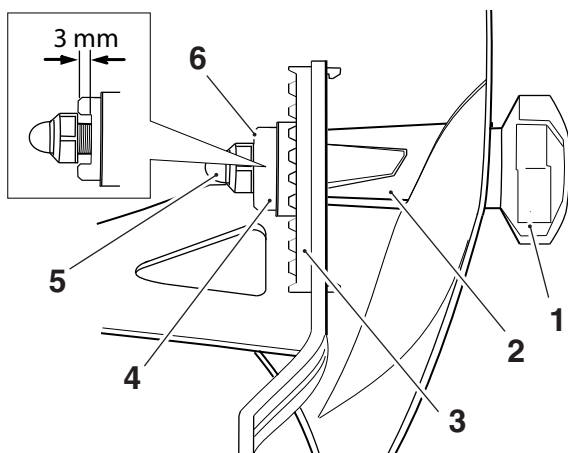
- If the kit is supplied with the adjuster blocks that **ARE NOT** shouldered, continue from step 16 and omit step 17.
- If the kit is supplied with the adjuster blocks that **ARE** shouldered, omit step 16 and continue from step 17.

- Tighten each dome nut until there is 3 mm of thread visible between the dome nut and the adjustment block.



- Adjustment knob (right hand shown)
- Inner spacer
- Adjustment plate
- Adjustment block, not shouldered
- Dome nut

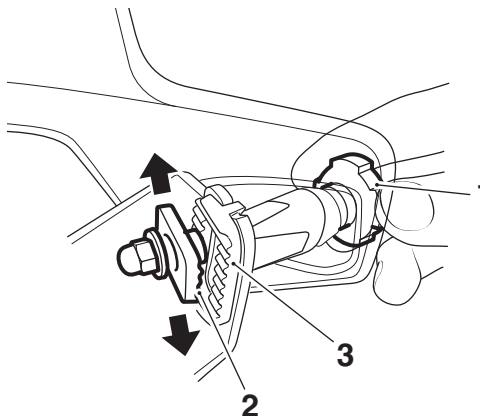
- Tighten each dome nut until its base is flush with the adjustment block shoulder.



- Adjustment knob (right hand shown)
- Inner spacer
- Adjustment plate
- Adjustment block, shouldered
- Dome nut
- Shoulder's upper edge

Windscreen Adjustment

- Loosen the adjuster knob sufficiently to allow the adjustment block to slide over the adjustment plate.
- Position the windscreen to the desired height, ensuring both adjustment blocks are set to the same position.
- Tighten the adjuster knob to secure the windscreen in position.



- Adjuster knob
- Adjustment block
- Adjustment plate



Warning

Always ensure both windscreen adjusters are adjusted to the same position. Riding the motorcycle with an incorrectly adjusted windscreen could cause loss of motorcycle control and an accident.



Warning

Always ensure both windscreen adjusters are tightened before riding the motorcycle. Riding the motorcycle with a loose windscreen or windscreen adjuster could cause loss of motorcycle control and an accident.

 **Warning**

Never ride an accessory-equipped motorcycle (including those fitted with Triumph approved windscreens and luggage systems) at speeds above 80 mph (130 km/h).

The presence of accessories such as windscreens and luggage systems will cause changes to the stability and handling of the motorcycle. Failure to allow for changes in motorcycle stability may lead to loss of control or an accident.

Remember that the 80 mph (130 km/h) limit will be reduced by the fitting of non-approved accessories, incorrect loading, worn tyres, overall motorcycle condition and poor road or weather conditions.

 **Warning**

This motorcycle must not be operated above the legal road speed limit except in authorised closed-course conditions.

 **Warning**

Never attempt to clean or adjust the windscreen while riding the motorcycle. Removal of the rider's hands from the handlebars while riding the motorcycle will diminish the ability of the rider to maintain the control of the motorcycle. Attempting to clean or adjust the windscreen while riding the motorcycle may result in loss of control of the motorcycle and an accident.

 **Warning**

After fitting the windscreen kit the motorcycle will exhibit new handling characteristics. Operate the motorcycle in a safe area free from traffic to gain familiarity with any new characteristics. Operation of the motorcycle when not familiar with any new handling characteristics may result in loss of motorcycle control and an accident.

 **Warning**

If, after the fitment of this accessory kit, you have any doubt about the performance of any aspect of the motorcycle, contact an authorised Triumph dealer and do not ride the motorcycle until the authorised dealer has declared it fit for use. Riding a motorcycle when there is any doubt as to any aspect of the performance of the motorcycle may result in loss of control of the motorcycle leading to an accident.

 **Warning**

The windscreen is no substitute for a safety helmet or eye protection. Windscreens are designed to provide wind protection and increased rider comfort. They are not designed to provide protection in the event of a collision with another vehicle, the road, birds or any other objects. When riding a motorcycle both rider and passenger must always wear a safety helmet, boots, eye protection, gloves and trousers (close fitting around the knees and ankle). Although full protection is not possible, wearing correct protective clothing can reduce the risk of injury when riding.