

Accessory Fitting Instructions

Thank you for choosing this Triumph genuine accessory kit. This accessory kit is the product of Triumph's use of proven engineering, exhaustive testing, and continuous striving for superior reliability, safety and performance.

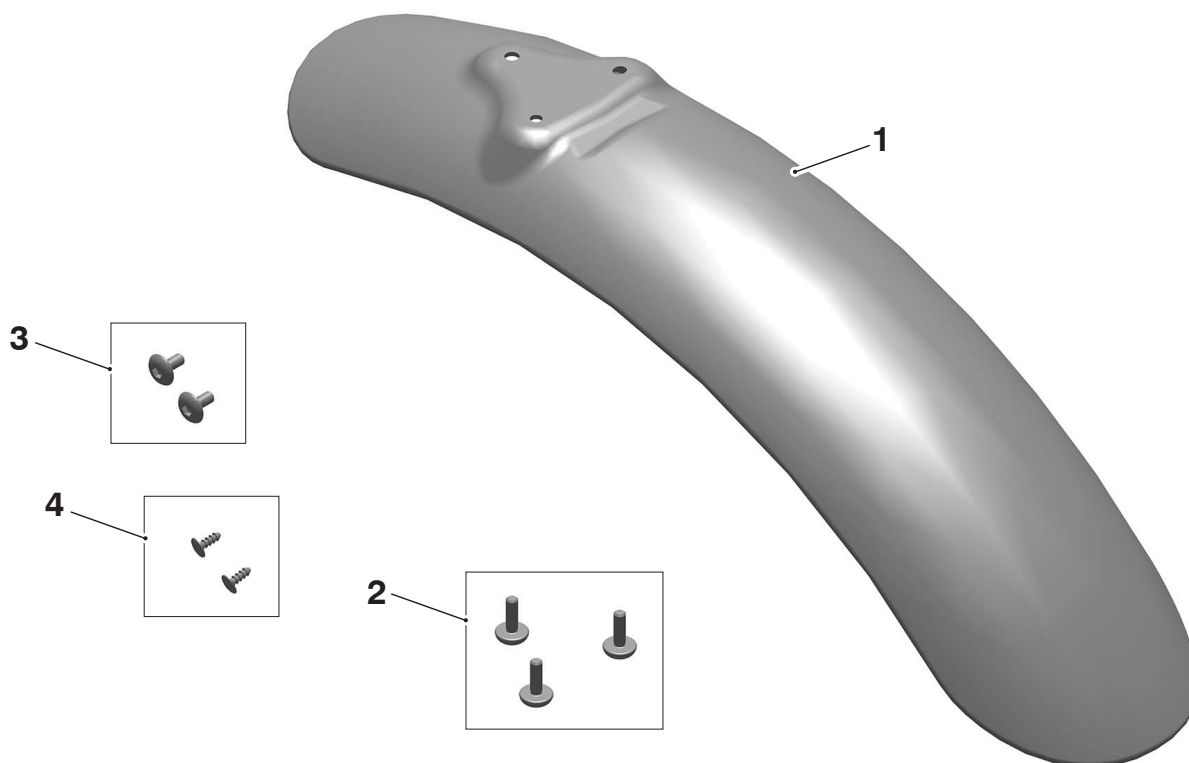
Completely read all of these instructions before commencing the installation of the accessory kit in order to become thoroughly familiar with the kit's features and the installation process.

These instructions should be considered a permanent part of your accessory kit, and should remain with it even if your accessory equipped motorcycle is subsequently sold.

High Level Mudguard Kit	
Kit Number	Models
A9701423	Scrambler 1200 XC, Scrambler 1200 X, Scrambler 1200 XE
A9701442	Scrambler 1200 X

Parts supplied

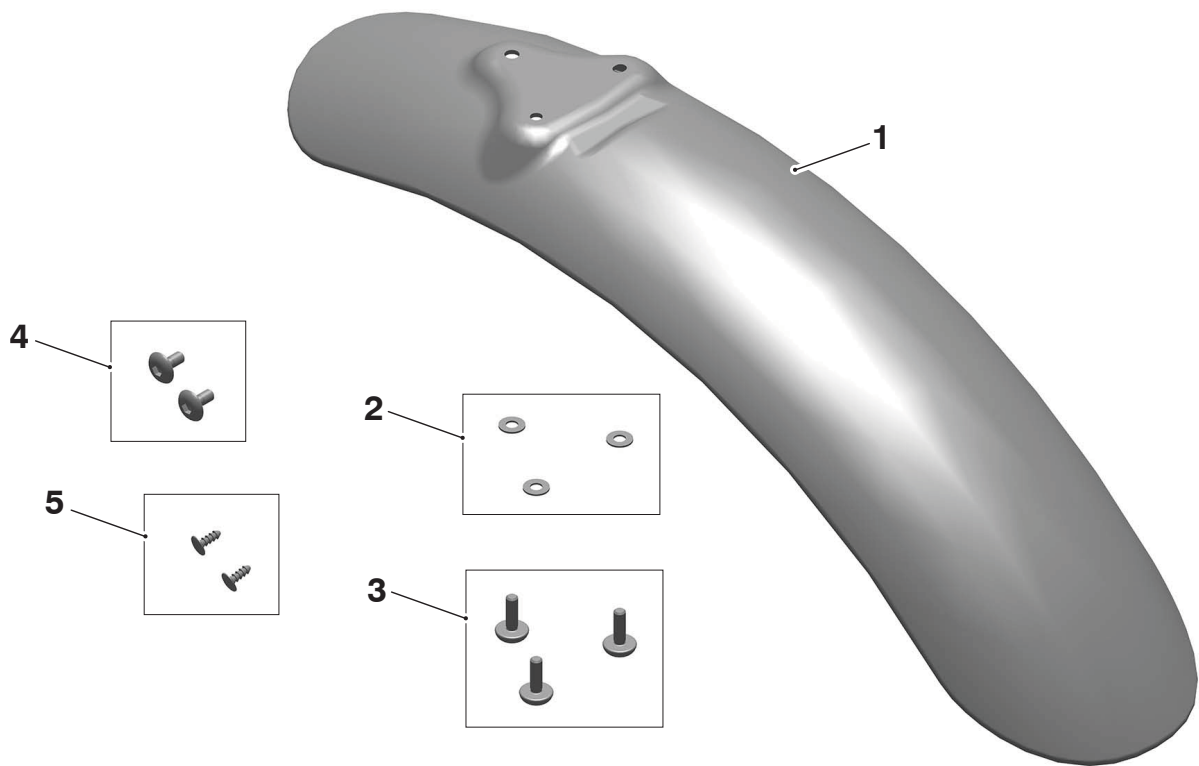
A9701443



1. High front mudguard	1 off	3. Fixing, M5 x 11 mm	2 off
2. Fixing, M5 x 16 mm	3 off	4. Blanking plug	2 off

Parts supplied

A9701442



1. High front mudguard	1 off	4. Fixing, M5 x 11 mm	2 off
2. Washers	3 off	5. Blanking plug	2 off
3. Fixing, M5 x 16 mm	3 off		

⚠ WARNING

Fit only genuine Triumph accessories to those models approved by Triumph as listed in the associated Triumph fitting instructions.

The accessory kits covered in this instruction are designed for use on specific models of Triumph motorcycle. The accessory kits and the models applicable are listed at the start of the instruction. They should never be fitted to any other Triumph model or to any other manufacturer's motorcycle.

Fitting an accessory kit to a Triumph model not listed, or to any other manufacturer's motorcycle, will affect the performance, stability and handling of the motorcycle.

Failure to follow the advice above may lead to loss of motorcycle control which could result in serious injury or death.

⚠ WARNING

Always have Triumph approved parts, accessories and conversions fitted by a competent person with the specialist knowledge and technical understanding of motorcycles, such as an authorised Triumph dealer.

The fitment of parts, accessories and conversions by a person without the specialist knowledge and technical understanding of motorcycles may affect the handling, stability or other aspects of the motorcycle's operation.

Failure to follow the advice above may lead to loss of motorcycle control which could result in serious injury or death.

⚠ WARNING

A torque wrench of known accurate calibration must be used when fitting this accessory kit.

Failure to tighten any of the fasteners to the correct torque specification may affect motorcycle performance, handling and stability.

Failure to follow the advice above may lead to loss of motorcycle control which could result in serious injury or death.

⚠ WARNING

Make sure the motorcycle is stabilised and adequately supported.

Do not support the motorcycle on any ancillary component, the exhaust system or any other non structural parts of the motorcycle frame.

A correctly supported motorcycle will help prevent it from falling.

An unstable motorcycle may fall resulting in motorcycle damage, serious injury or death.

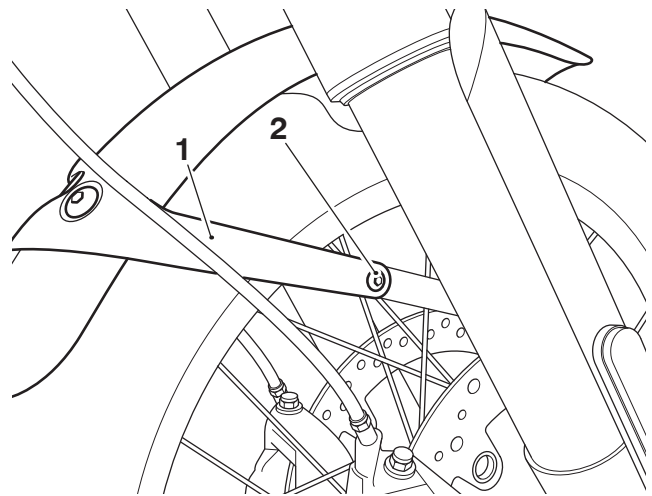
NOTICE

Triumph offers a broad range of approved genuine accessories for your motorcycle.

We cannot therefore cover all possible equipment variations in these instructions. For removal and installation of Triumph Genuine Accessories, always refer to the instructions supplied with the respective accessory kit.

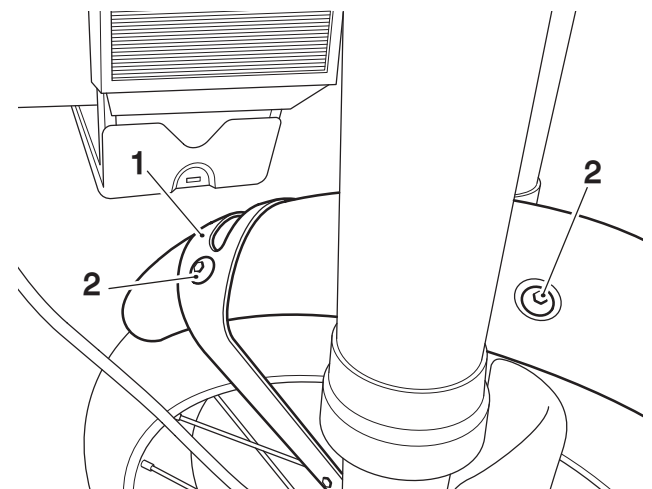
To obtain additional copies of any Triumph accessory instructions, visit www.triumphinstructions.com or contact your authorised Triumph dealer.

1. Remove the front mudguard stay fixings and discard.



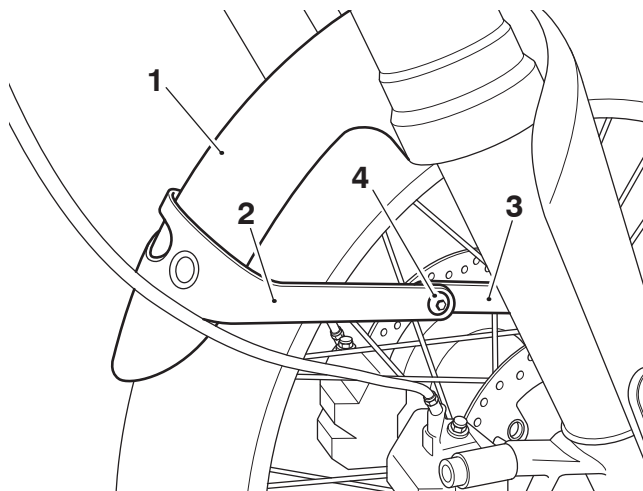
1. Front mudguard stay, right hand side shown
2. Fixings

2. Remove the four mudguard fixings to allow removal of the upper front mudguard and front mudguard stay. Retain the two rear mudguard stay fixings and mudguard stay for reuse. Retain the upper front mudguard and two front fixings for reuse if the motorcycle is to be returned to its original condition.



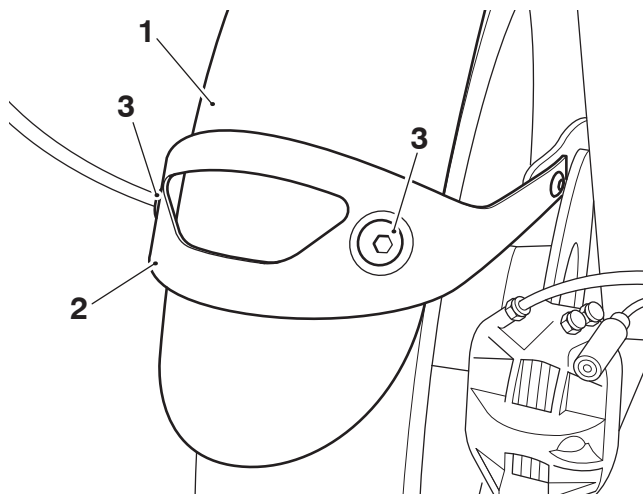
1. Front mudguard stay
2. Fixings, right hand side shown

- Fit the front mudguard stay over the moulded mudguard in the orientation shown and align the mudguard stay with the mounting brackets. Fit the M5 x 11 mm fixings from the kit, do not fully tighten the fixings at this stage.



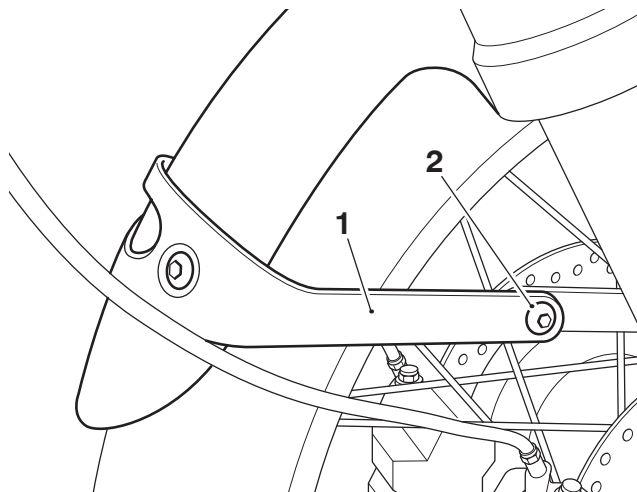
- Moulded front mudguard
- Front mudguard stay
- Mounting bracket, right hand side shown
- Fixing

- Align the front mudguard stay with the fixing positions in the moulded mudguard and refit the original fixings. Tighten the fixings to **5 Nm**.



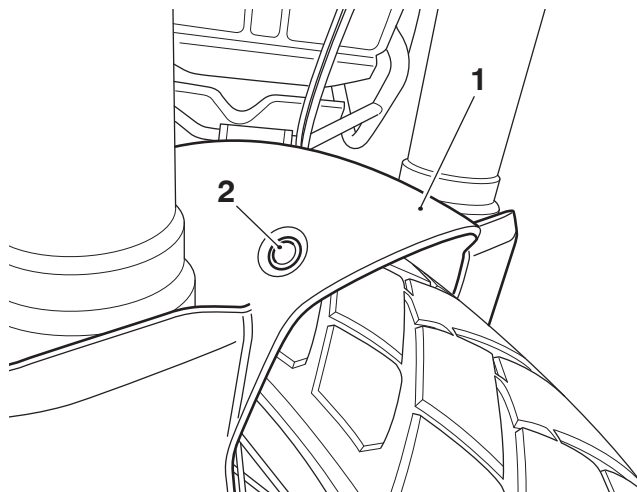
- Moulded mudguard
- Front mudguard stay
- Fixings

- Tighten the front mudguard stay to mounting bracket fixings to **6 Nm**.



- Front mudguard stay, right hand side shown
- Fixings

- Fit the blanking plugs from the kit into the front mudguard mounting holes in the moulded mudguard.

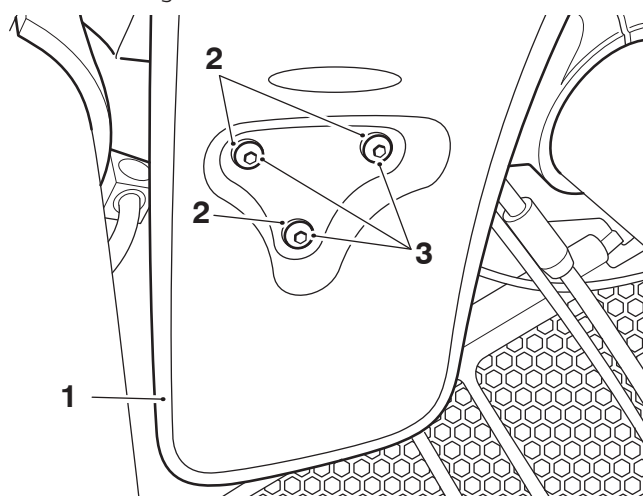


- Moulded mudguard
- Blanking plugs, right hand side shown

NOTICE

Only accessory kit A9701442 contains washers, accessory kit A9701423 does not contain washers.

7. Collect the high front mudguard, washers (where provided) and M5 x 16 mm fixings from the kit. Position the high front mudguard under the lower yolk. Align the fixing holes and fit the washers (where provided) and fixings. Tighten the fixings to **5 Nm**.



1. High front mudguard
2. Washer (A9701442 only)
3. Fixings, M5 x 16 mm

⚠ WARNING

After fitting the accessory kit the motorcycle will exhibit new handling characteristics.

Operate the motorcycle in a safe area free from traffic to gain familiarity with any new characteristics.

Operation of the motorcycle when not familiar with any new handling characteristics may lead to loss of motorcycle control which could result in serious injury or death.

⚠ WARNING

If, after fitting this accessory kit, you have any doubt about the performance of any aspect of the motorcycle, contact a competent person with the specialist knowledge and technical understanding of motorcycles, such as an authorised Triumph dealer.

Riding a motorcycle when there is any doubt as to any aspect of the performance of the motorcycle may lead to loss of motorcycle control which could result in serious injury or death.

⚠ WARNING

Never ride an accessory-equipped motorcycle at speeds above 80 mph (130 km/h).

Remember that the 80 mph (130 km/h) limit will be reduced by the fitting of non-approved accessories, incorrect loading, worn tyres, overall motorcycle condition and poor road or weather conditions.

The presence of accessories will cause changes in the stability and handling of the motorcycle. Failure to allow for changes in motorcycle stability may lead to loss of motorcycle control which could result in serious injury or death.

⚠ WARNING

High-speed operation should only be attempted by riders who have been instructed in the techniques necessary for high-speed riding and are familiar with the motorcycle's characteristics in all conditions.

Only operate this Triumph motorcycle at high speed in closed-course, on-road competition or on closed-course racetracks.

High-speed operation in any other circumstances is dangerous and may lead to loss of motorcycle control which could result in serious injury or death.

NOTICE

The motorcycle must not be operated above the legal road speed limit except in closed-course conditions.