



## Accessory Fitting Instructions

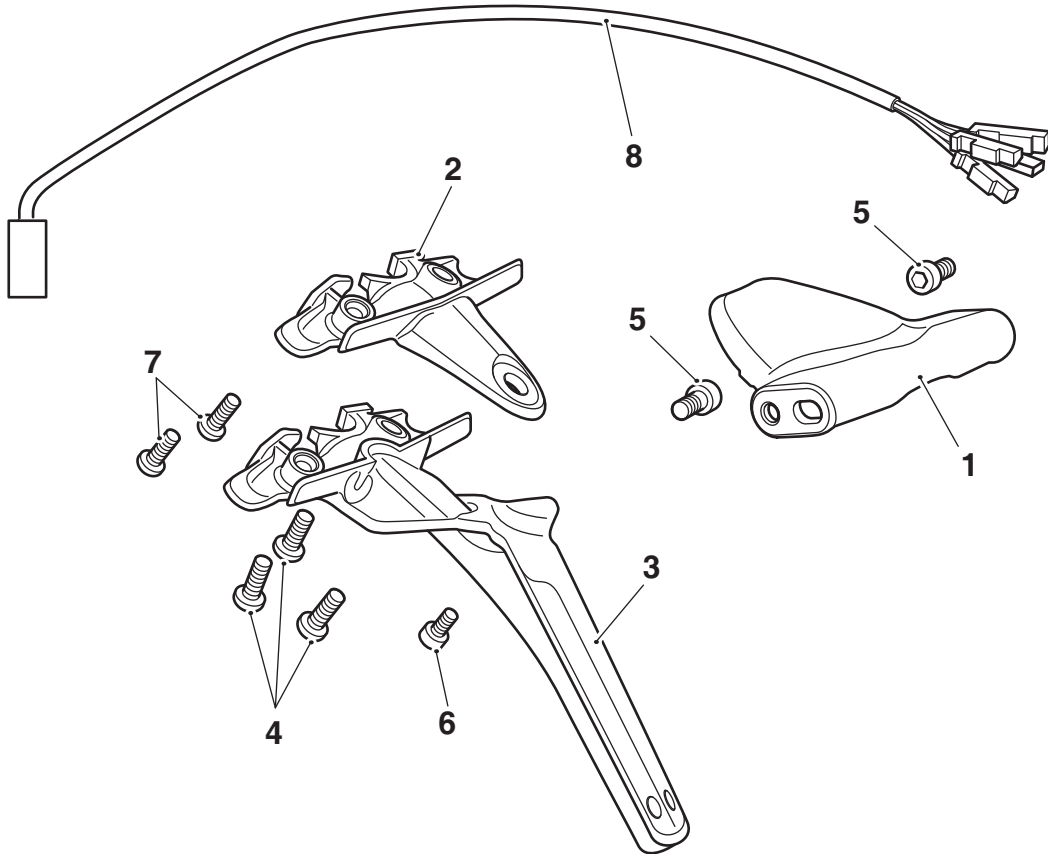
<b>Multi-Function Light Installation Kit</b>	
<b>Kit Number</b>	<b>Models Affected</b>
A9700592	Bonneville Speedmaster from VIN 739143
A9700589	Bonneville Bobber, Bonneville Bobber - Black
<b>Multi-Function Light Kit - Type 2</b>	
<b>Kit Number</b>	<b>Models Affected</b>
A9838056	Bonneville Speedmaster from VIN 739143
A9838046	Bonneville Bobber, Bonneville Bobber - Black
<b>Multi-Function Light Kit - 40 mm</b>	
<b>Kit Number</b>	<b>Models Affected</b>
A9830140	Bonneville Speedmaster from VIN 739143, Bonneville Bobber, Bonneville Bobber - Black

Thank you for choosing this Triumph genuine accessory kit. This accessory kit is the product of Triumph's use of proven engineering, exhaustive testing, and continuous striving for superior reliability, safety and performance.

Completely read all of these instructions before commencing the installation of the accessory kit in order to become thoroughly familiar with the kit's features and the installation process.

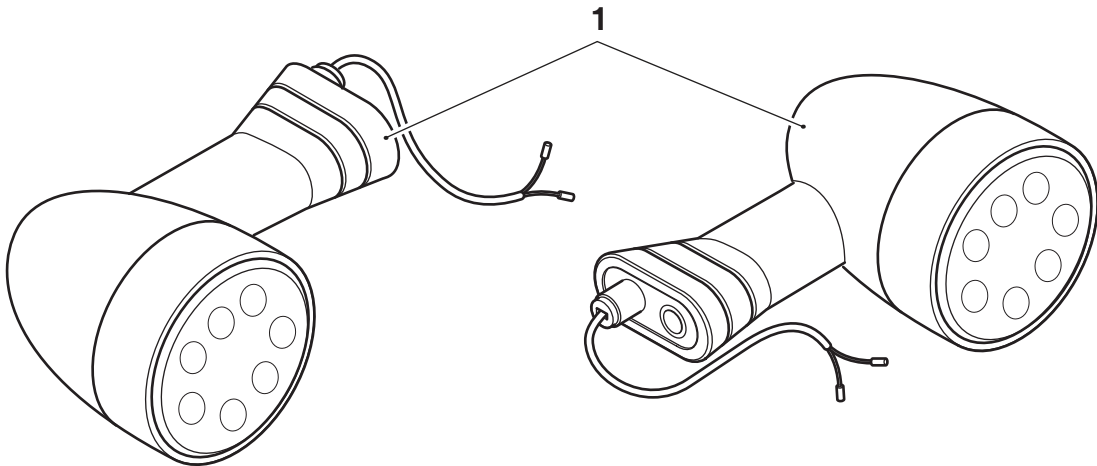
These instructions should be considered a permanent part of your accessory kit, and should remain with it even if your accessory equipped motorcycle is subsequently sold.

Parts Supplied: A9700592, A9700589



1. Finisher	1 off	5. Fixing, M6 x 12 mm (encapsulated)	2 off
2. Mount, side mounted licence plate	1 off	6. Fixing, M5 x 12 mm (encapsulated)	1 off
3. Mount, licence plate hanger,	1 off	7. Fixing, M5 x 14 mm (encapsulated)	2 off
4. Fixing, M6 x 16 mm	3 off	8. Multi-function harness	1 off

Parts Supplied: A9838046, A9838056, A9830140



1. Multi-function light	2 off
-------------------------	-------

**Warning**

Fit only genuine Triumph accessories to those models approved by Triumph as listed in the associated Triumph fitting instructions. The accessory kits covered in this instruction are designed for use on specific models of Triumph motorcycle. The accessory kits and the models applicable are listed at the start of the instruction. They should never be fitted to any other Triumph model or to any other manufacturer's motorcycle. Fitting an accessory kit to a Triumph model not listed, or to any other manufacturer's motorcycle will affect the performance, stability and handling of the motorcycle. This may affect the rider's ability to control the motorcycle and could result in an accident causing severe injuries or death.

**Warning**

Always have Triumph approved parts, accessories and conversions fitted by a trained technician of an authorised Triumph dealer. The fitment of parts, accessories and conversions by a technician who is not of an authorised Triumph dealer may affect the handling, stability or other aspects of the motorcycle's operation which may result in loss of motorcycle control and an accident.

**Warning**

Make sure the motorcycle is supported. A correctly supported motorcycle will help prevent it from falling. An unstable motorcycle may fall, causing injury to the operator or damage to the motorcycle.

**Warning**

A torque wrench of known accurate calibration must be used when fitting this accessory kit. Failure to tighten any of the fasteners to the correct torque specification may affect motorcycle performance, handling and stability. This may result in loss of motorcycle control and an accident.

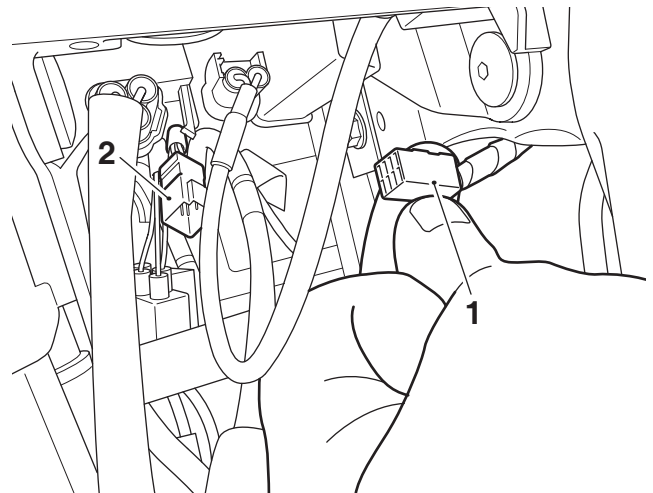
**Note:**

- Triumph offers a broad range of approved genuine accessories for your motorcycle. We cannot therefore cover all possible equipment variations in these instructions. For removal and installation of Triumph Genuine Accessories, always refer to the instructions supplied with the respective accessory kit. To obtain additional copies of any Triumph accessory instructions, visit [www.triumphinstructions.com](http://www.triumphinstructions.com) or contact your authorised Triumph dealer.

**Notice**

In some countries, use of a motorcycle fitted with this accessory kit on public roads may render the user liable to prosecution. In these countries the use of a motorcycle fitted with this accessory kit on public roads is at the owner's risk.

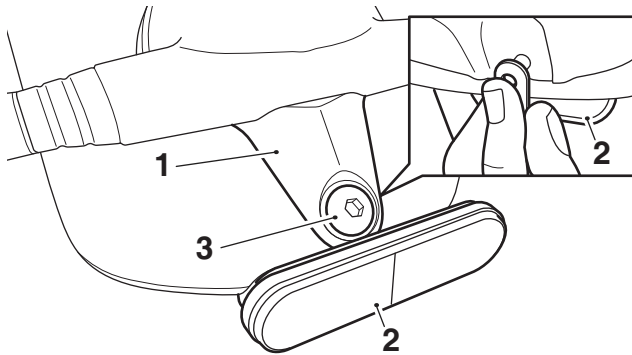
1. Disconnect the battery, negative (black) lead first.
2. Remove the battery as described in the Service Manual.
3. Disconnect the rear light harness connector from the main wiring harness.



1. Rear light harness connector
2. Main wiring harness

**Models with Accessory Side Mounted Licence Plate Kit Only**

4. Remove the rear reflector from the rear light mounting. Retain the reflector and fixing for reuse.

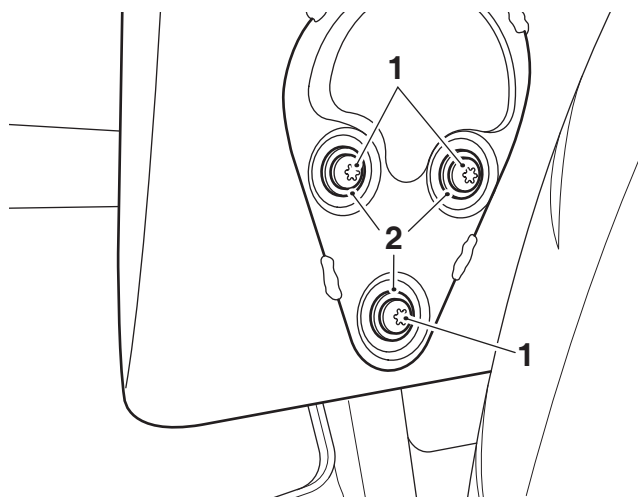


1. Rear light mounting
2. Reflector
3. Fixing

**All Models**

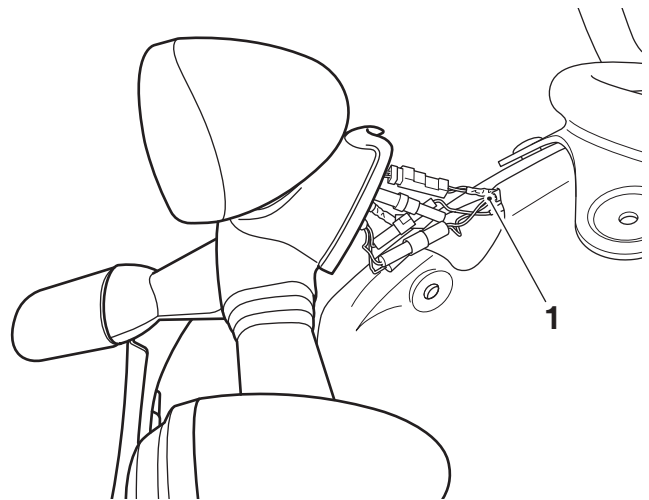
**Note:**

- Although the illustrations may show fitment of parts to motorcycles in an original condition, the procedures are the same for motorcycles fitted with an accessory side mounted licence plate kit.
5. Remove the rear light mounting assembly fixings from the underside of the mudguard. Discard the fixings but retain the washers for reuse.



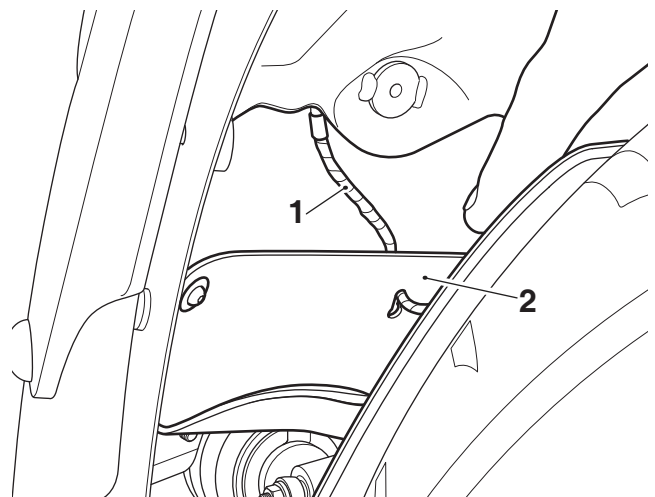
1. Fixings
2. Washers

6. Disconnect the rear light, indicator and, where applicable, the licence plate light connections from the rear light harness.



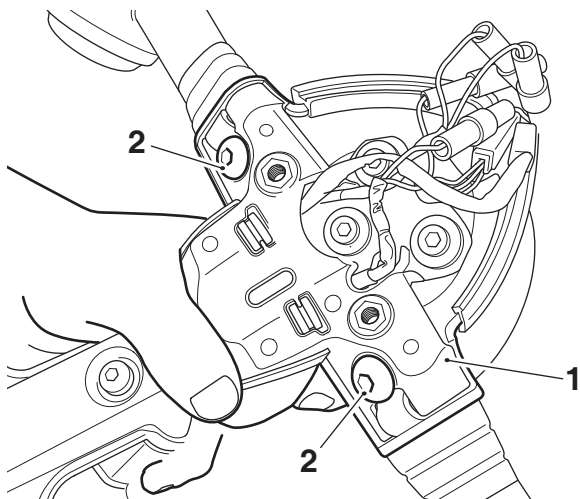
1. Rear light harness

7. Remove the rear light harness from the motorcycle noting its routing through the infill panel on the underside of the mudguard and into the area behind the battery.



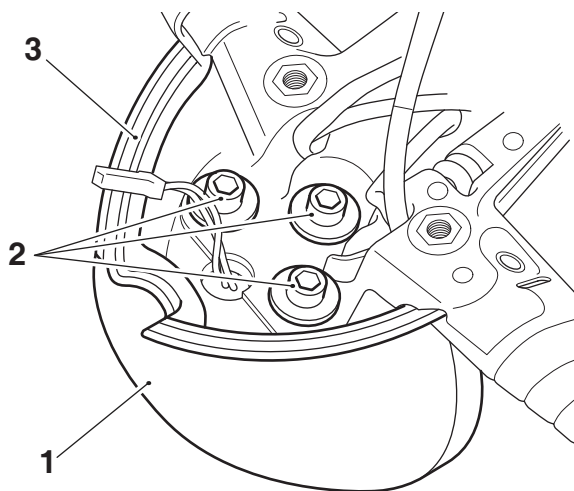
1. Rear light harness
2. Infill panel

8. Remove the two fixings from the rear light mounting. Discard the fixings.



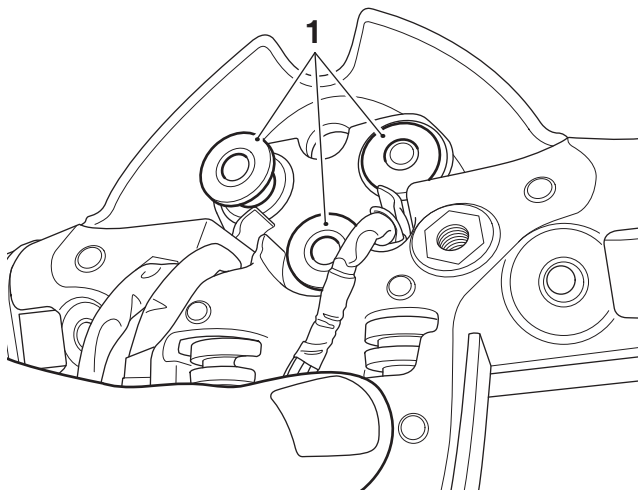
1. Rear light mounting  
2. Fixings

9. Remove the rear light fixings, rear light and rubber trim from the rear light mounting. Retain the rubber trim for reuse. Retain the rear light and fixings for reuse if the motorcycle is to be returned to its original condition.



1. Rear light  
2. Fixings  
3. Rubber trim

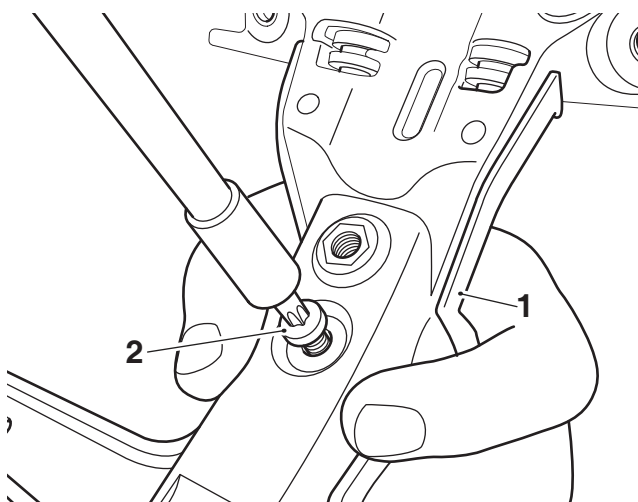
10. Remove the flanged sleeves from the rear light mounting. Retain the flanged sleeves for reuse if the motorcycle is to be returned to its original condition.



1. Flanged sleeves

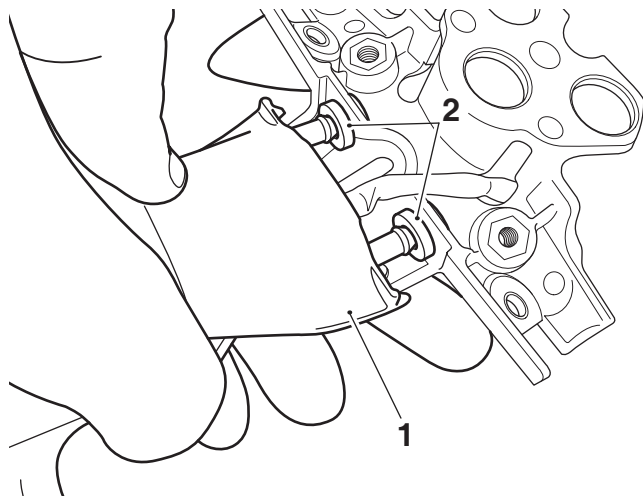
#### Original Condition Models Only

11. Remove the licence plate hanger fixing. Discard the fixing.



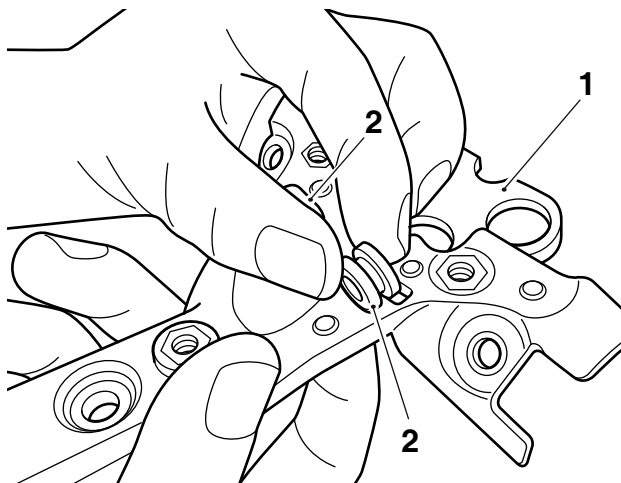
1. Licence plate hanger assembly  
2. Fixing

12. Remove the licence plate light and licence plate hanger assembly from the grommets in the rear light mounting. Retain the licence plate light and licence plate hanger assembly for reuse.



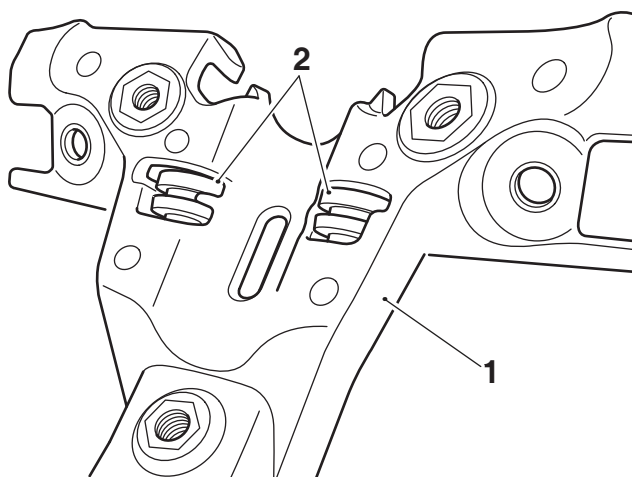
1. Licence plate light  
2. Grommets

13. Remove the grommets from the rear light mounting. Retain the grommets for reuse.



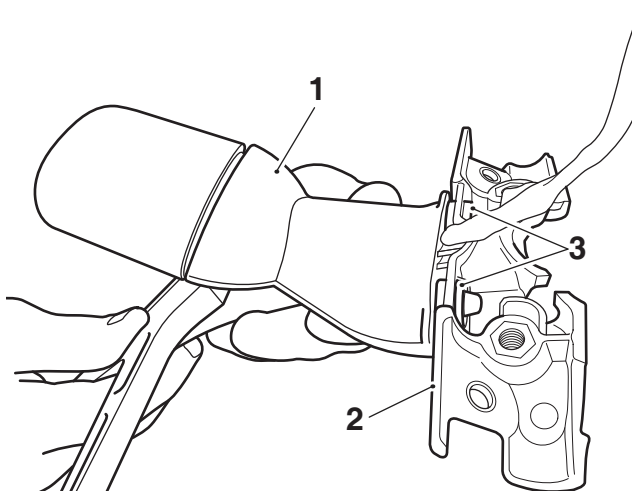
1. Rear light mounting  
2. Grommets

14. Fit the original grommets in to the licence plate mount from the kit, as shown.



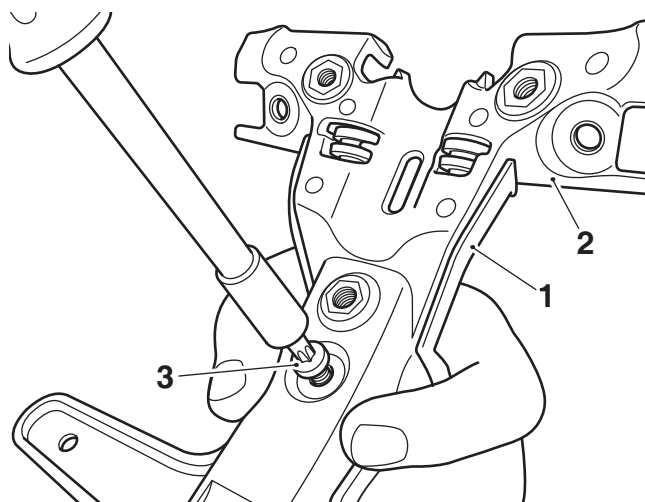
1. Licence plate mount  
2. Grommets

15. Fit the licence plate light and licence plate hanger assembly in to the grommets in the licence plate mount, as shown.



1. Licence plate light  
2. Licence plate mount  
3. Grommets

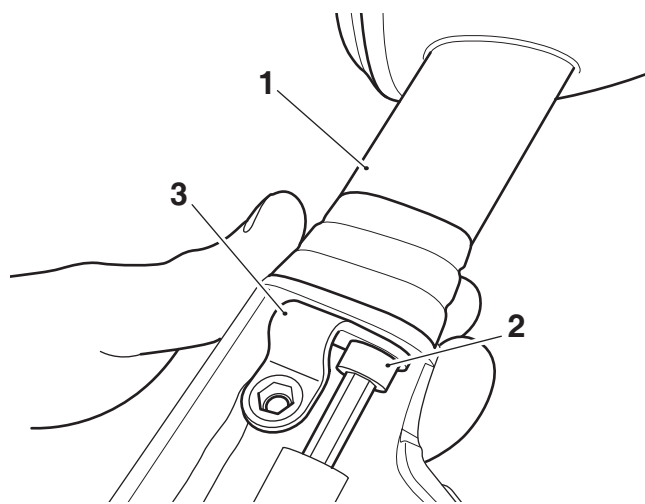
16. Fit the original licence plate hanger to the licence plate mount and fit the M5 x 12 mm fixing from the kit, tighten the fixing to **3 Nm**.



- 1. Licence plate hanger
- 2. Licence plate mount
- 3. Fixing, M5 x 12 mm

**All Models**

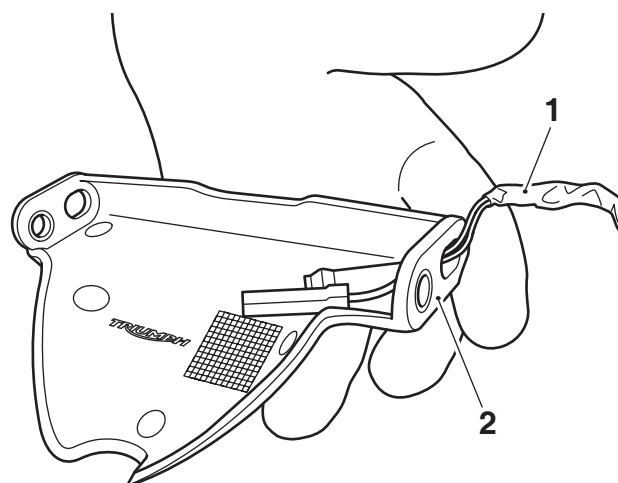
17. Remove the left hand and right hand indicators and brackets from the rear light mounting. Retain the brackets for reuse. Discard the fixings. Retain the indicators and rear light mount for reuse if the motorcycle is to be returned to its original condition.



- 1. Indicator
- 2. Fixing
- 3. Bracket

18. Collect the multi-function lights.

19. Take one of the multi-function lights and feed the light harness through the right hand side of the finisher from the kit, as shown.

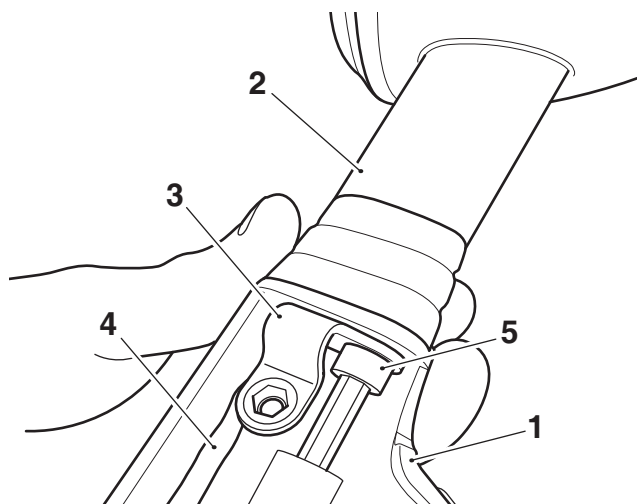


- 1. Multi-function light harness
- 2. Finisher

**! Caution**

A wiring harness which becomes trapped or kinked during installation, or general motorcycle operation, may result in wiring harness damage and electrical malfunctions

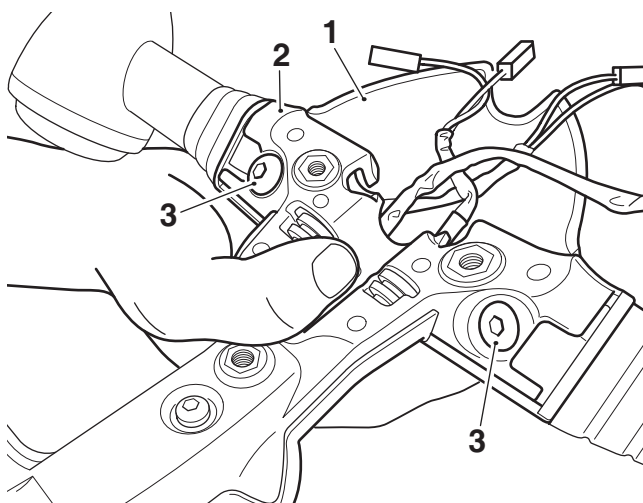
20. Fit the multi-function light with the original right hand bracket, in the orientation shown, to the finisher making sure the light harness is routed past the bracket. Fit an M6 x 12 mm encapsulated fixing from the kit. Tighten the fixing to **8 Nm**.



- 1. Finisher
- 2. Multi-function light
- 3. Bracket
- 4. Light harness
- 5. Fixing, M6 x 12 mm encapsulated

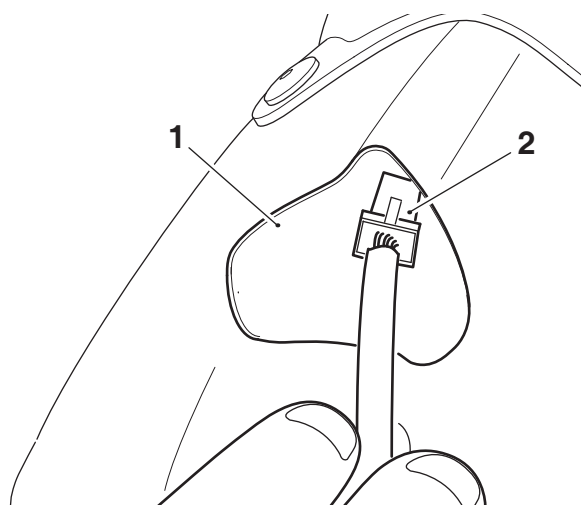
21. Repeat steps 19 and 20 for the left hand side.

22. Fit the finisher assembly on to the mounting making sure the indicator and, where applicable, the licence plate harnesses are routed through the centre of the mounting, as shown. Fit the M5 x 14 mm fixings from the kit. Tighten the fixings to **3 Nm**.



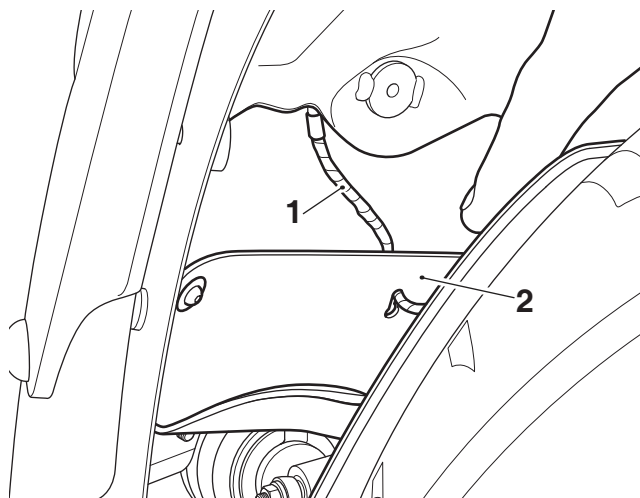
1. Finisher assembly  
2. Mounting  
3. Fixings, M5 x 14 mm

23. Feed the multi-function wiring harness from the kit through the aperture in the rear mudguard, as shown.



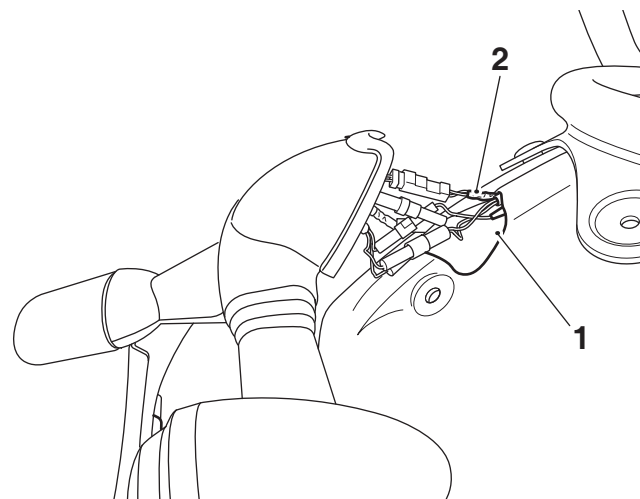
1. Aperture, rear mudguard  
2. Multi-function wiring harness

24. Following the routing of the original harness, noted on removal, route the multi-function harness behind the infill panel on the underside of the mudguard to the area behind the battery.



1. Multi-function harness  
2. Infill panel

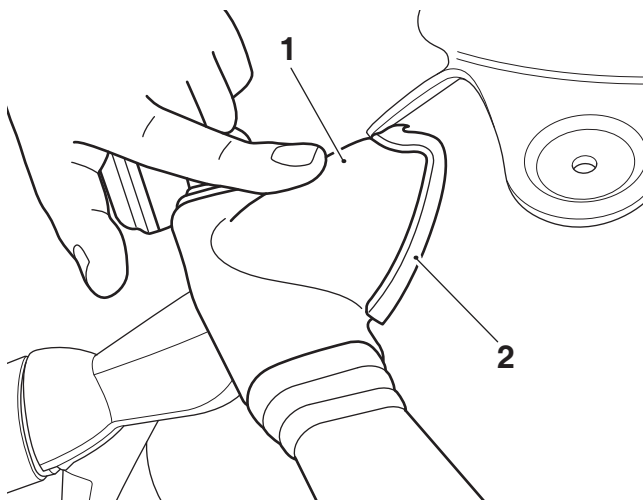
25. Connect the multi-function lights to the multi-function harness. The red taped connector on the harness connects to the right hand side multi-function light. The green wired connector on the harness connects to the left hand side multi-function light.
26. Where applicable, connect the licence plate light to the multi-function harness.
27. Feed any excess multi-function harness in to the aperture in the rear mudguard.



1. Aperture, rear mudguard  
2. Multi-function harness

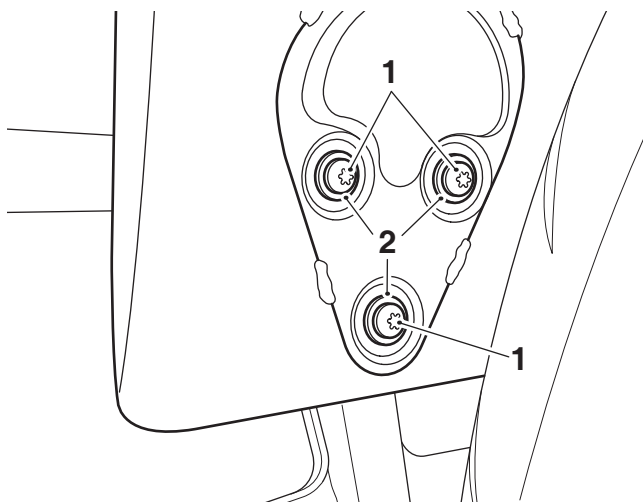


28. Make sure the rubber trim is located correctly on the mounting finisher and fit the mounting assembly to the rear mudguard.



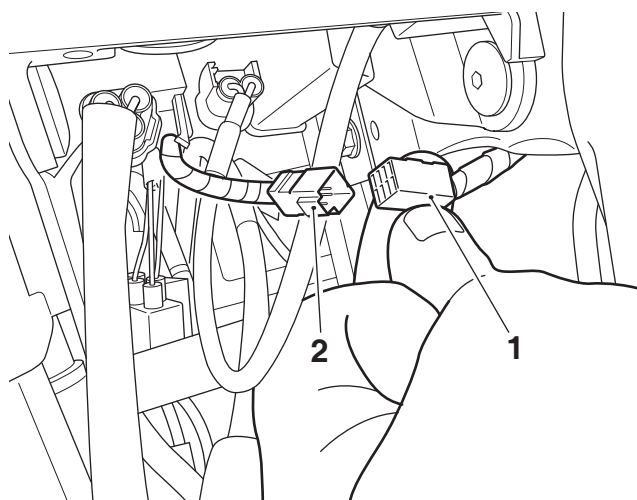
1. Mounting finisher  
2. Rubber trim

29. From the underside of the mudguard, fit the M6 x 16 mm fixings from the kit with the original washers. Tighten the fixings to **8 Nm**.



1. Fixings, M6 x 16 mm  
2. Washers

30. Connect the multi-function light harness connector to the main wiring harness connector.

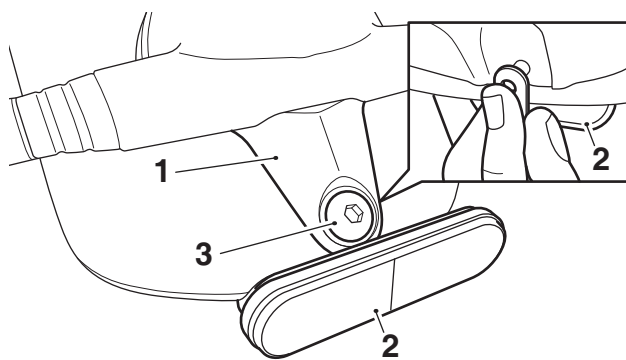


1. Multi-function harness connector  
2. Main wiring harness connector

31. Refit the battery as described in the Service Manual.  
32. Reconnect the battery, positive (red) lead first and tighten the battery terminals to **4.5 Nm**.  
33. Check that the indicators, brake light, rear light and, where applicable the licence plate light function correctly.

#### Models with Accessory Side Mounted Licence Plate Kit Only

34. Fit the rear reflector to the rear mounting. Fit the original fixing, tighten the fixing to **8 Nm**.



1. Rear mounting  
2. Reflector  
3. Fixing



### Warning

If, after fitting this accessory kit, you have any doubt about the performance of any aspect of the motorcycle, contact an authorised Triumph dealer and do not ride the motorcycle until the authorised dealer has declared it fit for use. Riding a motorcycle when there is any doubt as to any aspect of the performance of the motorcycle may result in loss of motorcycle control and an accident.



### Warning

Never ride an accessory-equipped motorcycle at speeds above 80 mph (130 km/h).

The presence of accessories will cause changes in the stability and handling of the motorcycle. Failure to allow for changes in motorcycle stability may result in loss of motorcycle control and an accident.

Remember that the 80 mph (130 km/h) limit will be reduced by the fitting of non-approved accessories, incorrect loading, worn tyres, overall motorcycle condition and poor road or weather conditions.



### Warning

The motorcycle must not be operated above the legal road speed limit except in closed-course conditions.



### Warning

Only operate this Triumph motorcycle at high speed in closed-course, on-road competition or on closed-course racetracks. High-speed operation should only be attempted by riders who have been instructed in the techniques necessary for high speed riding and are familiar with the motorcycle's characteristics in all conditions.

High-speed operation in any other circumstances is dangerous and may result in loss of motorcycle control and an accident.