



Accessory Fitting Instructions

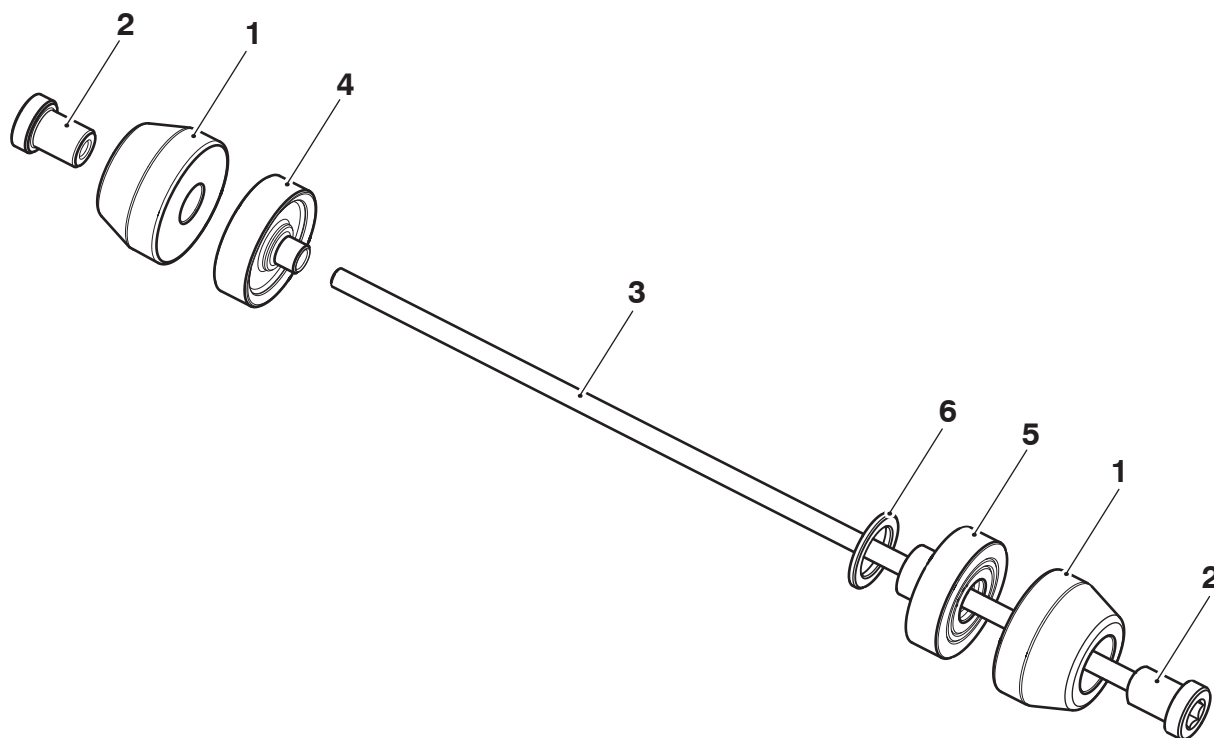
Thank you for choosing this Triumph genuine accessory kit. This accessory kit is the product of Triumph's use of proven engineering, exhaustive testing, and continuous striving for superior reliability, safety and performance.

Completely read all of these instructions before commencing the installation of the accessory kit in order to become thoroughly familiar with the kit's features and the installation process.

These instructions should be considered a permanent part of your accessory kit, and should remain with it even if your accessory equipped motorcycle is subsequently sold.

Fork Protector Kit	
Kit Number	Models
A9640058	Street Triple Rx, Street Triple from VIN 560477, Speed Triple R from VIN 560477
A9640059	Daytona 675 from VIN 564948, Daytona 675 R from VIN 564948, Daytona Moto2™ 765
A9640080	Speed Triple from VIN 461332, Speed Triple S, Speed Triple R, Speed Triple RS, Street Triple RS Moto2™, Speed Triple 1200 RS, Speed Triple 1200 RR
A9640081	Tiger XR, Tiger XRX, Tiger 800 and Tiger 800 XC, Tiger 800 XCX, Tiger 800 XCA, Tiger 800 XR, Tiger 800 XRx, Tiger 800 XRx LRH, Tiger 800 XRT
A9640179	Explorer XR, Explorer XRx, Explorer XRT, Explorer XC, Explorer XCx, Explorer XCA, Tiger 1200 XCX, Tiger 1200 XCA, Tiger 1200 XRX, Tiger 1200 XRX Low Ride Height, Tiger 1200 XRT, Tiger 1200 XRX Low Ride Height, Tiger 1200 GT, Tiger 1200 GT Pro, Tiger 1200 Rally Pro, Tiger 1200 GT Explorer, Tiger 1200 Rally Explorer
A9640099	Street Twin, Speed Twin 900, Street Cup, Street Scrambler up to VIN 910740, Bonneville T100 from VIN 759204, Bonneville T120, Bonneville T120 Black
A9640107	Tiger 900, Tiger 900 GT, Tiger 900 GT Pro, Tiger 900 GT Low Ride Height, Tiger 900 GT Aragon Edition, Tiger 900 Rally, Tiger 900 Rally Pro, Tiger 900 Rally Aragon Edition, Tiger 850 Sport, Thruxton 1200, Thruxton 1200 R, Thruxton RS, Thruxton TFC, Scrambler 1200 XC, Scrambler 1200 XE to VIN BN8495, Speed Twin
A9640235	Street Scrambler from VIN 914448, Scrambler 900
A9648079	Scrambler 1200 XE from VIN BP0885, Scrambler 1200 X

Parts supplied



1. Protector	2 off	4. Sleeve - smaller diameter spigot	1 off
2. End cap	2 off	5. Sleeve - larger diameter spigot	1 off
3. Rod	1 off	6. Spacer (Daytona 675 only)	1 off

⚠ WARNING

Fit only genuine Triumph accessories to those models approved by Triumph as listed in the associated Triumph fitting instructions.

The accessory kits covered in this instruction are designed for use on specific models of Triumph motorcycle. The accessory kits and the models applicable are listed at the start of the instruction. They should never be fitted to any other Triumph model or to any other manufacturer's motorcycle.

Fitting an accessory kit to a Triumph model not listed, or to any other manufacturer's motorcycle, will affect the performance, stability and handling of the motorcycle.

Failure to follow the advice above may lead to loss of motorcycle control which could result in serious injury or death.

⚠ WARNING

Always have Triumph approved parts, accessories and conversions fitted by a competent person with the specialist knowledge and technical understanding of motorcycles, such as an authorised Triumph dealer.

The fitment of parts, accessories and conversions by a person without the specialist knowledge and technical understanding of motorcycles may affect the handling, stability or other aspects of the motorcycle's operation.

Failure to follow the advice above may lead to loss of motorcycle control which could result in serious injury or death.

⚠ WARNING

A torque wrench of known accurate calibration must be used when fitting this accessory kit.

Failure to tighten any of the fasteners to the correct torque specification may affect motorcycle performance, handling and stability.

Failure to follow the advice above may lead to loss of motorcycle control which could result in serious injury or death.

⚠ WARNING

Make sure the motorcycle is stabilised and adequately supported.

Do not support the motorcycle on any ancillary component, the exhaust system or any other non structural parts of the motorcycle frame.

A correctly supported motorcycle will help prevent it from falling.

An unstable motorcycle may fall resulting in motorcycle damage, serious injury or death.

NOTICE

Triumph offers a broad range of approved genuine accessories for your motorcycle.

We cannot therefore cover all possible equipment variations in these instructions. For removal and installation of Triumph Genuine Accessories, always refer to the instructions supplied with the respective accessory kit.

To obtain additional copies of any Triumph accessory instructions, visit www.triumphinstructions.com or contact your authorised Triumph dealer.

NOTICE

One of the end caps is factory fixed, do not attempt to remove the fixed end cap from the rod.

NOTICE

The fork protector fixed end cap is fitted on Street Triple models from the left hand side of the motorcycle.

NOTICE

The fork protector fixed end cap is fitted on Street Twin, Speed Twin 900, Street Cup, Street Scrambler, Scrambler 900, Bonneville, Thruxton, Daytona 675, Daytona Moto2™ 765, Speed Triple, Tiger 800, Tiger 900, Tiger 850 Sport, Explorer, Tiger 1200, Scrambler 1200 XC, Scrambler 1200 XE, Speed Twin models from the right hand side of the motorcycle.

NOTICE

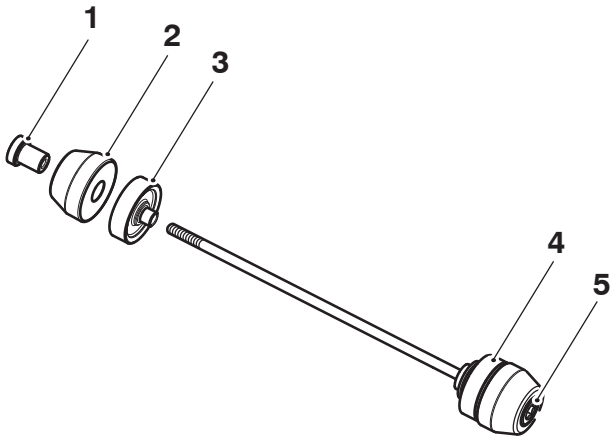
The spacer is applicable to Daytona 675 models only. It is not applicable to Daytona 675 R or any other model listed in this publication.

NOTICE

This instruction shows installation to Daytona 675 models; all other models are similar.

1. Collect the fork protector assembly from the kit.

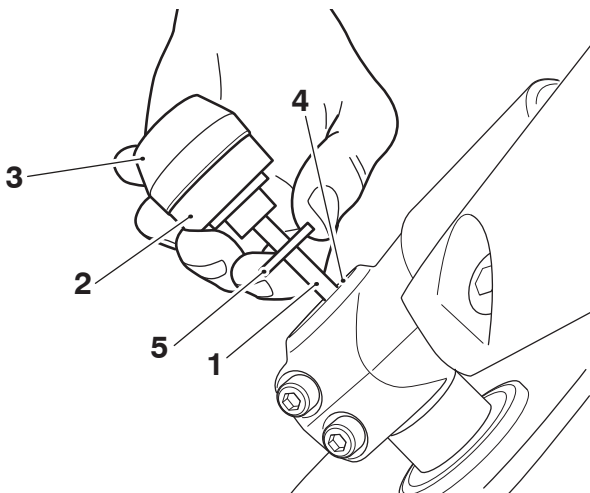
- Remove the loose end cap, protector and sleeve with the smaller diameter spigot from the fork protector assembly.



- Loose end cap
- Fork protector, loose
- Sleeve, smaller diameter spigot
- Sleeve, larger diameter spigot
- End cap, fixed

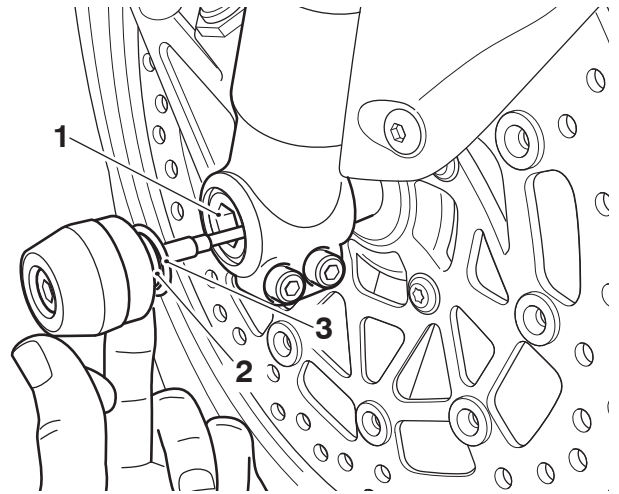
Daytona 675

- Holding the protector, sleeve with the larger diameter spigot and spacer, slide the rod into the front wheel spindle from the right hand side, as shown below.



- Rod
- Sleeve - larger diameter spigot
- Protector
- Front wheel spindle
- Spacer

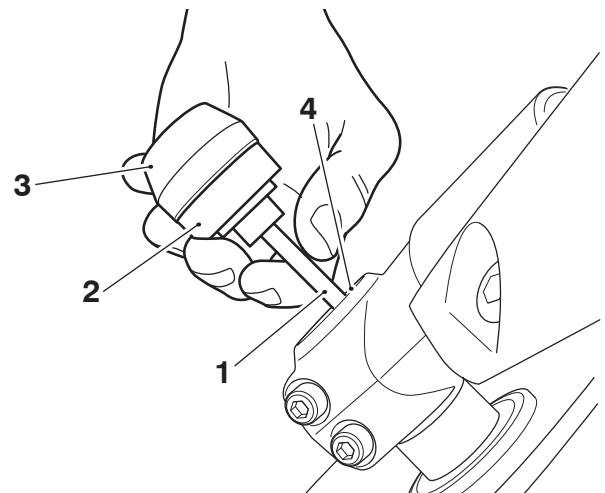
- Make sure the spacer is located correctly on the sleeve spigot and when fully inserted, the sleeve spigot locates correctly in the hexagon section of the front wheel spindle.



- Front wheel spindle - hexagon section
- Sleeve spigot
- Spacer

Daytona 675 R, Daytona Moto2™ 765, Street Twin, Speed Twin 900, Street Cup, Street Scrambler, Scrambler 900, Bonneville, Thruxton, Speed Triple, Tiger 800, Tiger 900, Tiger 850 Sport, Explorer, Tiger 1200, Scrambler 1200 XC, Scrambler 1200 XE, Scrambler 1200 X, Speed Twin

- Holding the protector, sleeve with the larger diameter spigot and spacer, slide the rod into the front wheel spindle from the right hand side, as shown below.

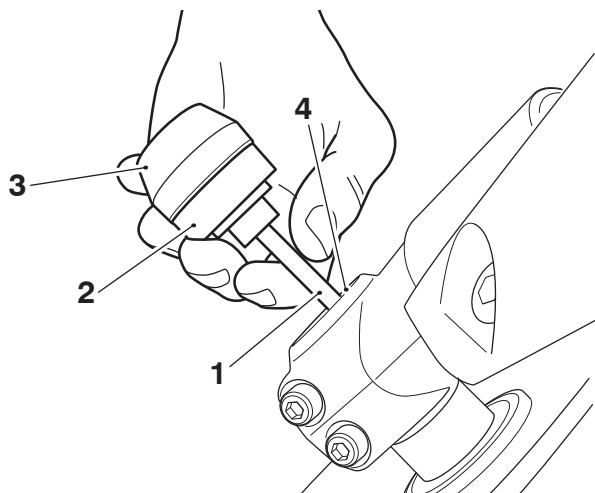


- Rod
- Sleeve - larger diameter spigot
- Protector
- Front wheel spindle

- Make sure when fully inserted, the sleeve spigot locates correctly in the hexagon section of the front wheel spindle.

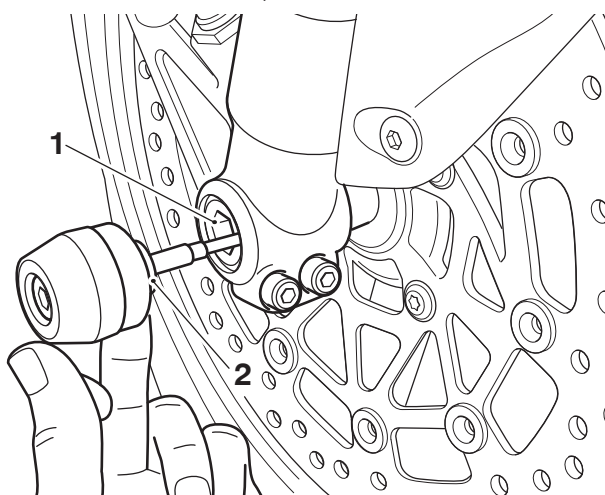
Street Triple

7. Holding the protector, sleeve with the larger diameter spigot and spacer, slide the rod into the front wheel spindle from the left hand side, as shown below.



1. Rod
2. Sleeve - larger diameter spigot
3. Protector
4. Front wheel spindle

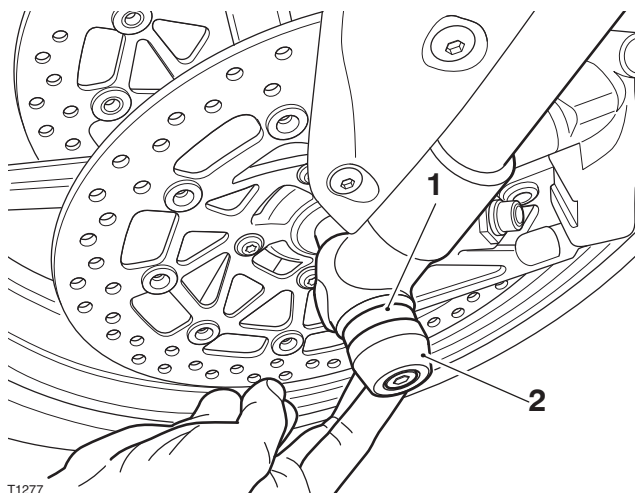
8. Make sure when fully inserted, the sleeve spigot locates correctly in the hexagon section of the front wheel spindle.



1. Front wheel spindle - hexagon section
2. Sleeve spigot

All models

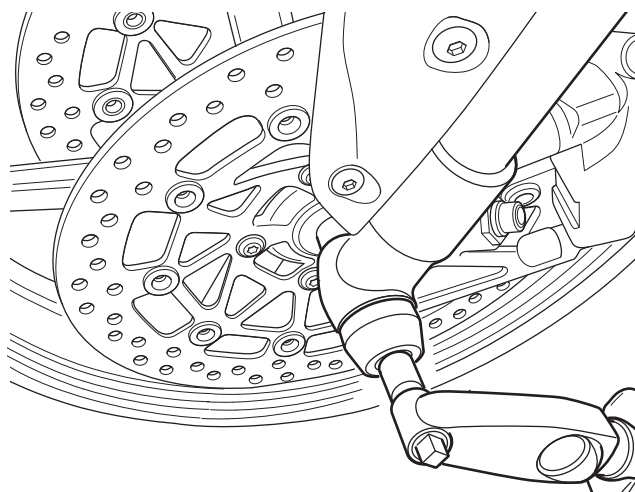
9. Fit the sleeve with the smaller diameter spigot and protector onto the opposite end of the rod. Make sure the sleeve spigot locates correctly into the front wheel spindle.



T1277

1. Sleeve - smaller diameter spigot
2. Protector

10. Hold the fork protector components in position by screwing the loose end cap onto the rod by hand.
11. Prevent the fixed end cap and rod from turning using a suitable 8 mm Allen wrench.
12. Tighten the opposite end cap to **9 Nm**.



⚠ WARNING

After fitting the accessory kit the motorcycle will exhibit new handling characteristics.

Operate the motorcycle in a safe area free from traffic to gain familiarity with any new characteristics.

Operation of the motorcycle when not familiar with any new handling characteristics may lead to loss of motorcycle control which could result in serious injury or death.

⚠ WARNING

If, after fitting this accessory kit, you have any doubt about the performance of any aspect of the motorcycle, contact a competent person with the specialist knowledge and technical understanding of motorcycles, such as an authorised Triumph dealer.

Riding a motorcycle when there is any doubt as to any aspect of the performance of the motorcycle may lead to loss of motorcycle control which could result in serious injury or death.

⚠ WARNING

Never ride an accessory-equipped motorcycle at speeds above 80 mph (130 km/h).

Remember that the 80 mph (130 km/h) limit will be reduced by the fitting of non-approved accessories, incorrect loading, worn tyres, overall motorcycle condition and poor road or weather conditions.

The presence of accessories will cause changes in the stability and handling of the motorcycle. Failure to allow for changes in motorcycle stability may lead to loss of motorcycle control which could result in serious injury or death.

⚠ WARNING

High-speed operation should only be attempted by riders who have been instructed in the techniques necessary for high-speed riding and are familiar with the motorcycle's characteristics in all conditions.

Only operate this Triumph motorcycle at high speed in closed-course, on-road competition or on closed-course racetracks.

High-speed operation in any other circumstances is dangerous and may lead to loss of motorcycle control which could result in serious injury or death.

NOTICE

The motorcycle must not be operated above the legal road speed limit except in closed-course conditions.