



## Accessory Fitting Instructions

Thank you for choosing this Triumph genuine accessory kit. This accessory kit is the product of Triumph's use of proven engineering, exhaustive testing, and continuous striving for superior reliability, safety and performance.

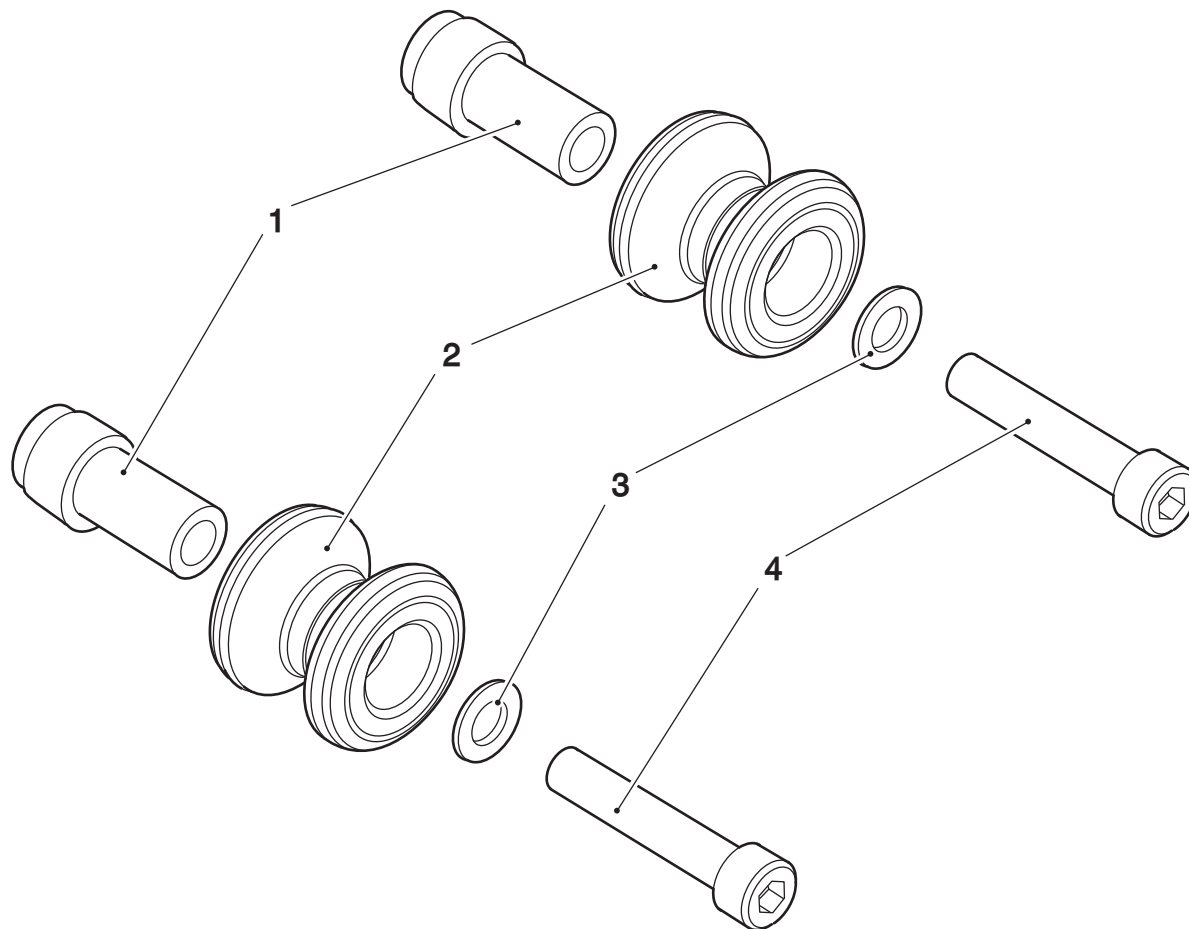
Completely read all of these instructions before commencing the installation of the accessory kit in order to become thoroughly familiar with the kit's features and the installation process.

These instructions should be considered a permanent part of your accessory kit, and should remain with it even if your accessory equipped motorcycle is subsequently sold.

<b>Paddock Stand Peg Kit</b>	
<b>Kit Number</b>	<b>Models</b>
A9640023	Tiger XR, Tiger XRT, Tiger XRX, Tiger XC, Tiger XCA, Tiger XCX, Tiger 800, Tiger 800XC, Tiger 800 XR, Tiger 800 XRX, Tiger 800 XCX, Tiger 800 XRT, Tiger 800 XCA, Tiger 800 XRX LRH, Tiger 900, Tiger 900 GT, Tiger 900 GT Pro, Tiger 900 GT (LRH), Tiger 900 GT Aragon Edition, Tiger 900 Rally, Tiger 900 Rally Pro, Tiger 900 Rally Aragon Edition, Tiger 850 Sport

---

## Parts Supplied



1. Sleeve	2 off	3. Washer	2 off
2. Peg	2 off	4. Fixing, M8 x 55 mm	2 off

### **⚠ WARNING**

Fit only genuine Triumph accessories to those models approved by Triumph as listed in the associated Triumph fitting instructions.

The accessory kits covered in this instruction are designed for use on specific models of Triumph motorcycle. The accessory kits and the models applicable are listed at the start of the instruction. They should never be fitted to any other Triumph model or to any other manufacturer's motorcycle.

Fitting an accessory kit to a Triumph model not listed, or to any other manufacturer's motorcycle, will affect the performance, stability and handling of the motorcycle.

Failure to follow the advice above may lead to loss of motorcycle control which could result in serious injury or death.

### **⚠ WARNING**

Always have Triumph approved parts, accessories and conversions fitted by a competent person with the specialist knowledge and technical understanding of motorcycles, such as an authorised Triumph dealer.

The fitment of parts, accessories and conversions by a person without the specialist knowledge and technical understanding of motorcycles may affect the handling, stability or other aspects of the motorcycle's operation.

Failure to follow the advice above may lead to loss of motorcycle control which could result in serious injury or death.

### **⚠ WARNING**

A torque wrench of known accurate calibration must be used when fitting this accessory kit.

Failure to tighten any of the fasteners to the correct torque specification may affect motorcycle performance, handling and stability.

Failure to follow the advice above may lead to loss of motorcycle control which could result in serious injury or death.

### **⚠ WARNING**

Make sure the motorcycle is stabilised and adequately supported.

Do not support the motorcycle on any ancillary component, the exhaust system or any other non structural parts of the motorcycle frame.

A correctly supported motorcycle will help prevent it from falling.

An unstable motorcycle may fall resulting in motorcycle damage, serious injury or death.

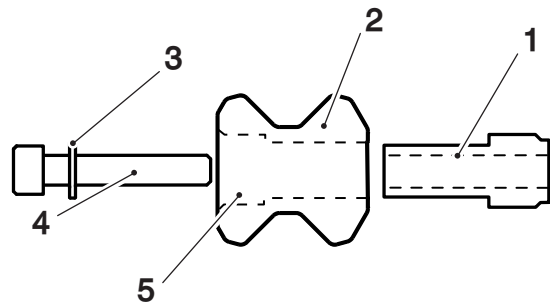
### **NOTICE**

Triumph offers a broad range of approved genuine accessories for your motorcycle.

We cannot therefore cover all possible equipment variations in these instructions. For removal and installation of Triumph Genuine Accessories, always refer to the instructions supplied with the respective accessory kit.

To obtain additional copies of any Triumph accessory instructions, visit [www.triumphinstructions.com](http://www.triumphinstructions.com) or contact your authorised Triumph dealer.

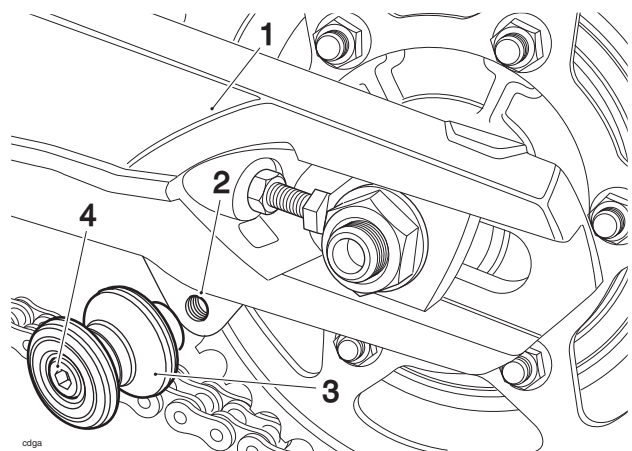
1. Fit the washer and fixing into the end of the peg with the recess. Fit the sleeve into the other end of the peg, as shown below.



cdrk\_5

1. Sleeve
2. Peg
3. Washer
4. Fixing
5. Recess

2. Fit the peg assembly to its mounting on the left hand side of the swinging arm, tighten the fixing to **24 Nm**.



cdga

1. Swinging arm, left hand side shown
2. Mounting
3. Peg
4. Fixing

3. Repeat steps 1 and 2 to fit the remaining peg to the right hand side of the swinging arm.
4. The motorcycle may now be supported on a paddock stand following the manufacturer's instructions for the stand.

### **⚠ WARNING**

After fitting the accessory kit the motorcycle will exhibit new handling characteristics.

Operate the motorcycle in a safe area free from traffic to gain familiarity with any new characteristics.

Operation of the motorcycle when not familiar with any new handling characteristics may lead to loss of motorcycle control which could result in serious injury or death.

### **⚠ WARNING**

If, after fitting this accessory kit, you have any doubt about the performance of any aspect of the motorcycle, contact a competent person with the specialist knowledge and technical understanding of motorcycles, such as an authorised Triumph dealer.

Riding a motorcycle when there is any doubt as to any aspect of the performance of the motorcycle may lead to loss of motorcycle control which could result in serious injury or death.

### **⚠ WARNING**

Never ride an accessory-equipped motorcycle at speeds above 80 mph (130 km/h).

Remember that the 80 mph (130 km/h) limit will be reduced by the fitting of non-approved accessories, incorrect loading, worn tyres, overall motorcycle condition and poor road or weather conditions.

The presence of accessories will cause changes in the stability and handling of the motorcycle. Failure to allow for changes in motorcycle stability may lead to loss of motorcycle control which could result in serious injury or death.

### **⚠ WARNING**

High-speed operation should only be attempted by riders who have been instructed in the techniques necessary for high-speed riding and are familiar with the motorcycle's characteristics in all conditions.

Only operate this Triumph motorcycle at high speed in closed-course, on-road competition or on closed-course racetracks.

High-speed operation in any other circumstances is dangerous and may lead to loss of motorcycle control which could result in serious injury or death.

### **NOTICE**

The motorcycle must not be operated above the legal road speed limit except in closed-course conditions.