



Accessory Fitting Instructions

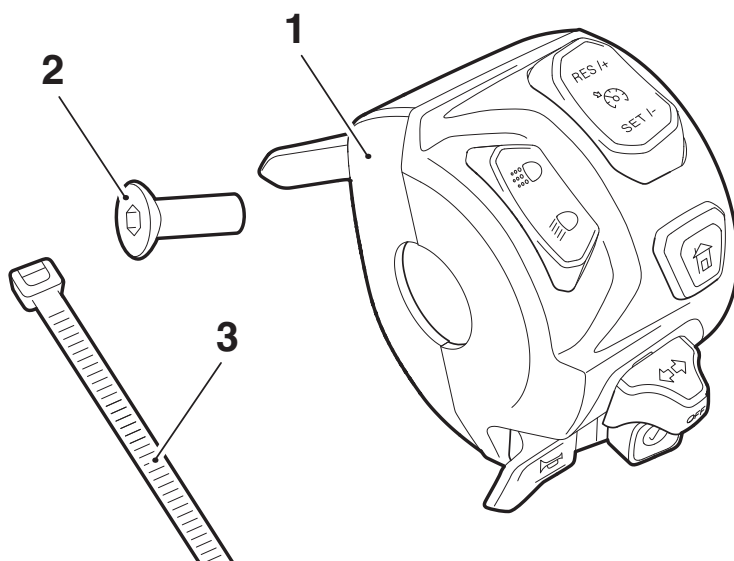
CRUISE CONTROL KIT, DRL	
Kit Number	Models Affected
A9638833	Street Triple RS from VIN BF1297, Street Triple RS Moto2™
CRUISE CONTROL KIT, NON-DRL	
Kit Number	Models Affected
A9637833	Street Triple RS from VIN BF1297, Street Triple RS Moto2™

Thank you for choosing this Triumph genuine accessory kit. This accessory kit is the product of Triumph's use of proven engineering, exhaustive testing, and continuous striving for superior reliability, safety and performance.

Completely read all of these instructions before commencing the installation of the accessory kit in order to become thoroughly familiar with the kit's features and the installation process.

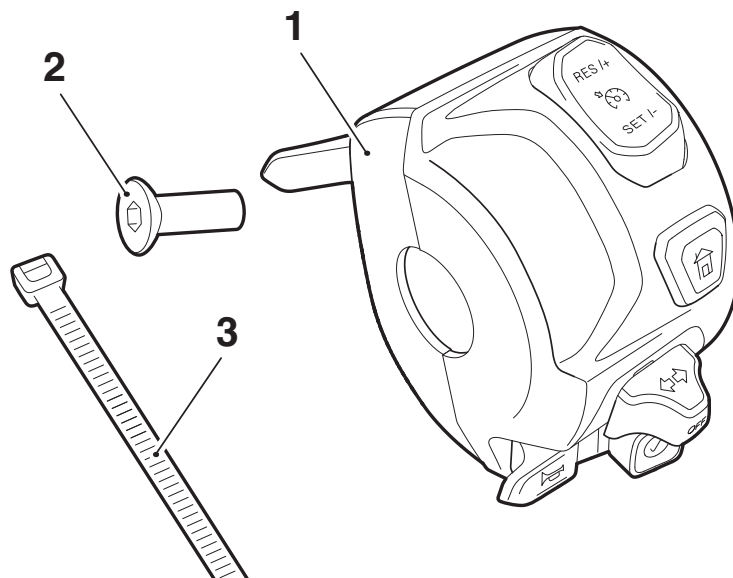
These instructions should be considered a permanent part of your accessory kit, and should remain with it even if your accessory equipped motorcycle is subsequently sold.

Parts Supplied: A9638833



1. Left hand switch housing	1 off	3. Cable tie	1 off
2. Fixing, M6 x 20 mm (encapsulated)	1 off		

Parts Supplied: A9637833



1. Left hand switch housing	1 off	3. Cable tie	1 off
2. Fixing, M6 x 20 mm (encapsulated)	1 off		



Warning

Fit only genuine Triumph accessories to those models approved by Triumph as listed in the associated Triumph fitting instructions. The accessory kits covered in this instruction are designed for use on specific models of Triumph motorcycle. The accessory kits and the models applicable are listed at the start of the instruction. They should never be fitted to any other Triumph model or to any other manufacturer's motorcycle. Fitting an accessory kit to a Triumph model not listed, or to any other manufacturer's motorcycle will affect the performance, stability and handling of the motorcycle. This may affect the rider's ability to control the motorcycle and could result in an accident causing severe injuries or death.



Warning

Always have Triumph approved parts, accessories and conversions fitted by a trained technician of an authorised Triumph dealer. The fitment of parts, accessories and conversions by a technician who is not of an authorised Triumph dealer may affect the handling, stability or other aspects of the motorcycle's operation which will result in loss of motorcycle control and an accident.



Warning

Always make sure that the newly installed wiring does not chafe against other parts of the motorcycle such that it may be rubbed through and cause an electrical problem. In addition, always make sure that the newly installed wiring will not restrict steering movement. Both conditions are hazardous and could give rise to a dangerous riding condition resulting in a fire, loss of motorcycle control and an accident.



Warning

Make sure the motorcycle is stabilised and adequately supported. Do not support the motorcycle on any ancillary component, the exhaust system or any other non structural parts of the motorcycle frame. A correctly supported motorcycle will help prevent it from falling. An unstable motorcycle may fall, causing injury to the operator or damage to the motorcycle.



Warning

A torque wrench of known accurate calibration must be used when fitting this accessory kit. Failure to tighten any of the fasteners to the correct torque specification may affect motorcycle performance, handling and stability. This will result in loss of motorcycle control and an accident.

Note:

- **Triumph offers a broad range of approved genuine accessories for your motorcycle. We cannot therefore cover all possible equipment variations in these instructions. For removal and installation of Triumph Genuine Accessories always refer to the instructions supplied with the respective accessory kit. To obtain additional copies of any Triumph accessory instructions, visit www.triumphinstructions.com or contact your authorised Triumph dealer.**

1. Remove the left hand switch housing as described by the Service Manual.
2. Fit the left hand switch housing from the kit as described by the Service Manual.

Cruise Control Activation

1. Connect the Triumph diagnostic tool to the motorcycle and turn the ignition ON.
2. Make sure the engine stop switch is in the RUN (ON) position.
3. Navigate to 'ENGINE DIAGNOSTICS'.
4. Click the 'Adjust' tab.
5. Select 'Enable/Disable Cruise Control' from the menu.
6. Click 'Enable'.

Note:

- **After enabling the cruise control system, DTC P1575 will be stored until the Cruise Control Switch Check has been completed.**
- **The Cruise Control Switch Check must be performed within 255 seconds of turning the motorcycle ignition ON.**
- **DTC P1575 will automatically clear as soon as the switch check has been completed.**

7. Select 'Cruise Control Switch Check' from the menu.
8. Click 'Start' and follow the onscreen instructions to check each cruise control switch.
9. Click the 'Read DTCs' tab and check that DTC P1575 has cleared.

Note:

- **If DTC P1575 is still present, turn the ignition OFF for 2 minutes. Turn the ignition ON and repeat the cruise control switch check within 255 seconds.**



Warning

Never ride an accessory equipped motorcycle at speeds above 80 mph (130 km/h).

The presence of accessories will cause changes in the stability and handling of the motorcycle. Failure to allow for changes in motorcycle stability may lead to loss of motorcycle control and an accident.

Remember that the 80 mph (130 km/h) limit will be reduced by the fitting of non-approved accessories, incorrect loading, worn tyres, overall motorcycle condition and poor road or weather conditions.



Warning

The motorcycle must not be operated above the legal road speed limit except in closed-course conditions.



Warning

Only operate this Triumph motorcycle at high speed in closed-course, on-road competition or on closed-course racetracks. High-speed operation should only be attempted by riders who have been instructed in the techniques necessary for high-speed riding and are familiar with the motorcycle's characteristics in all conditions.

High-speed operation in any other circumstances is dangerous and may lead to loss of motorcycle control and an accident.



Warning

If, after fitment of this accessory kit, you have any doubt about the performance of any aspect of the motorcycle, contact an authorised Triumph dealer and do not ride the motorcycle until the authorised dealer has declared it fit for use. Riding a motorcycle when there is any doubt as to any aspect of the performance of the motorcycle may result in loss of motorcycle control and an accident.