



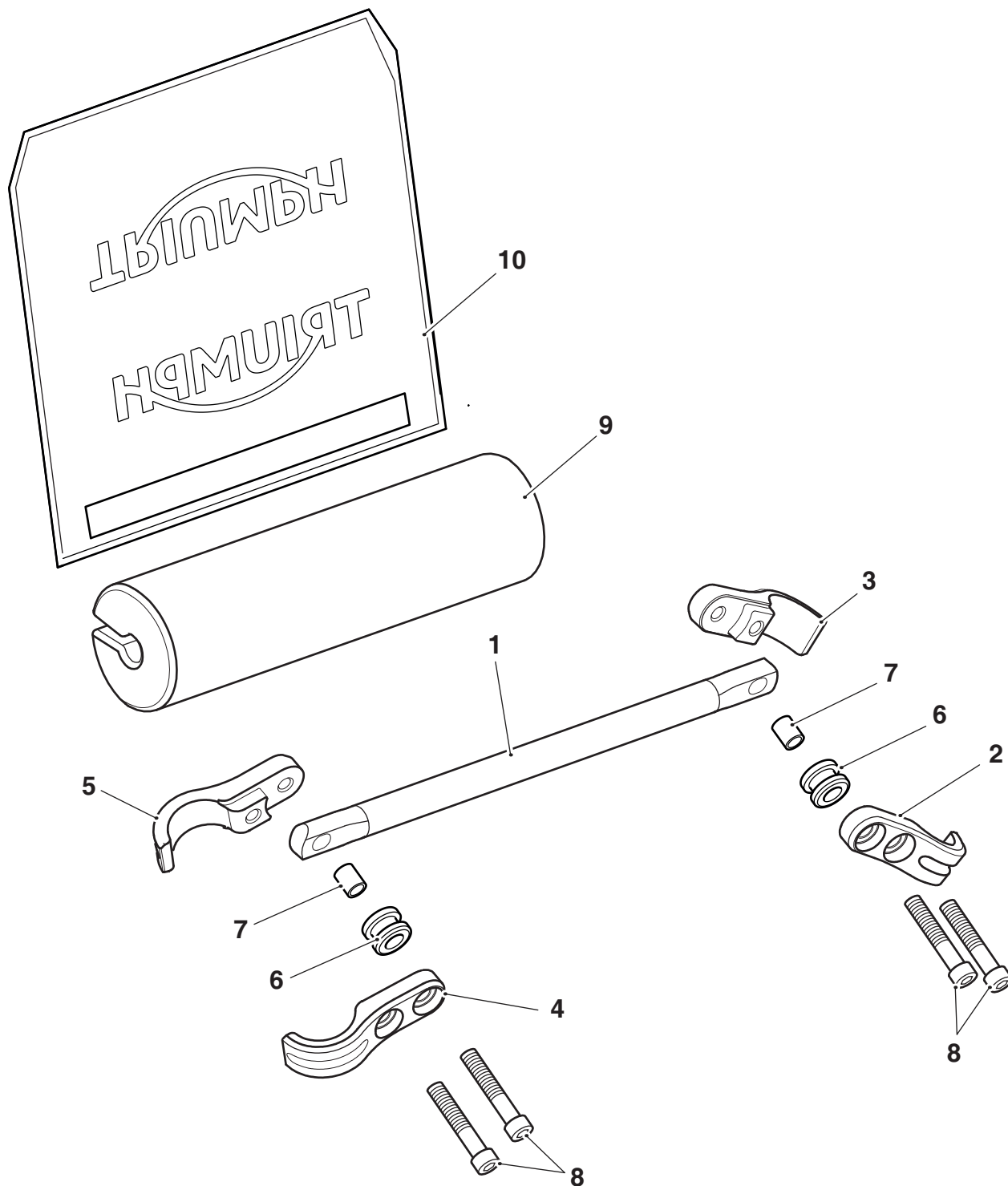
Accessory Fitting Instructions

Handlebar Brace Kit - Black	
Kit Number	Models Affected
A9638142	Street Scrambler, Scrambler 900
A9638147	Scrambler 1200 XE
Handlebar Brace Kit - Brown	
Kit Number	Models Affected
A9638144	Street Scrambler, Scrambler 900
A9638151	Scrambler 1200 XC, Scrambler 1200 X

Thank you for choosing this Triumph genuine accessory kit. This accessory kit is the product of Triumph's use of proven engineering, exhaustive testing, and continuous striving for superior reliability, safety and performance.

Completely read all of these instructions before commencing the installation of the accessory kit in order to become thoroughly familiar with the kit's features and the installation process.

These instructions should be considered a permanent part of your accessory kit, and should remain with it even if your accessory equipped motorcycle is subsequently sold.



1. Handlebar brace bar	1 off	6. Grommet	2 off
2. Clamp, front, left hand	1 off	7. Spacer	2 off
3. Clamp, rear, left hand	1 off	8. Fixing, M6 x 20 mm	4 off
4. Clamp, front, right hand	1 off	9. Handlebar brace pad	1 off
5. Clamp, rear, right hand	1 off	10. Pad cover	1 off

Warning

The accessory kits covered in this instruction are designed for use on specific models of Triumph motorcycle. The accessory kits and the models applicable are listed at the start of the instruction. They should not be fitted to any other Triumph model or to any other manufacturer's motorcycle. Fitting an accessory kit to a Triumph model not listed, or to any other manufacturer's motorcycle will affect the performance, stability and handling of the motorcycle. This may result in loss of motorcycle control and an accident.

Warning

Always have Triumph approved parts, accessories and conversions fitted by a trained technician of an authorised Triumph dealer. The fitment of parts, accessories and conversions by a technician who is not of an authorised Triumph dealer may affect the handling, stability or other aspects of the motorcycle's operation which may result in loss of motorcycle control and an accident.

Warning

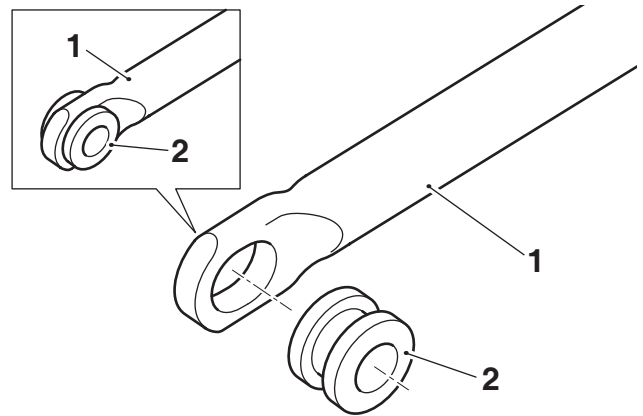
Throughout this operation, ensure that the motorcycle is stabilised and adequately supported to prevent risk of injury from the motorcycle falling.

Note:

- Triumph offers a broad range of approved genuine accessories for your motorcycle. We cannot therefore cover all possible equipment variations in these instructions. For removal and installation of Triumph Genuine Accessories, always refer to the instructions supplied with the respective accessory kit. To obtain additional copies of any Triumph accessory instructions, visit www.triumphinstructions.com or contact your authorised Triumph dealer.

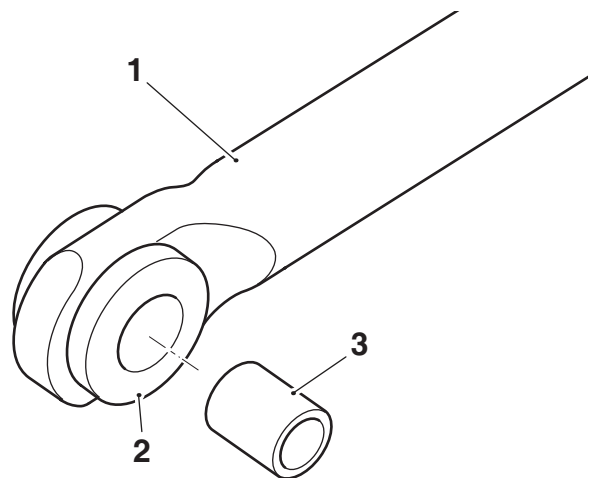
Handlebar Brace Installation

- Collect the handlebar brace bar, grommets and spacers from the kit.
- Fit the grommets into the holes at both ends of the handlebar brace bar.



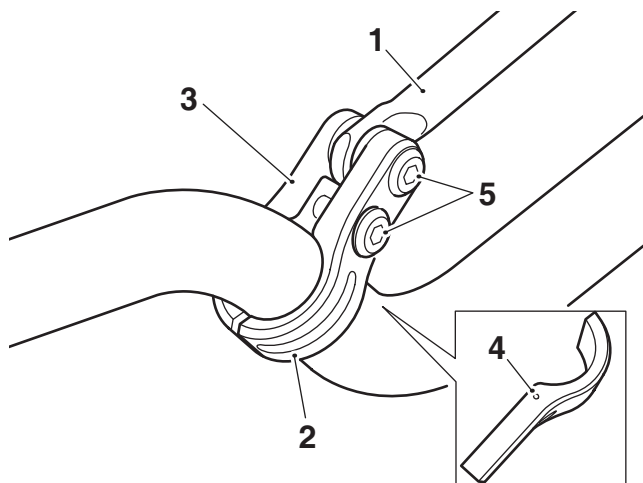
- Handlebar brace bar
- Grommet

- Fit the spacers into the grommets at both ends of the handlebar brace bar.



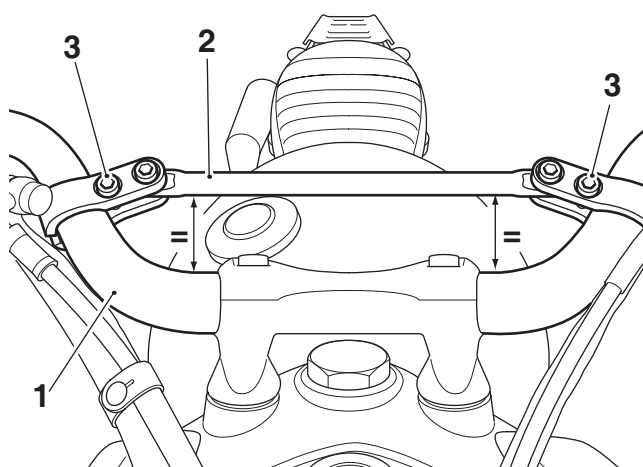
- Handlebar brace bar
- Grommet
- Spacer

- Assemble the front and rear right hand clamps and handlebar brace bar onto the right hand side of the handlebar with the fixings positioned towards the front of the motorcycle, as shown. Ensure the dot recess in the clamps is positioned at the bottom. Loosely fit the M6 x 20 mm fixings.



- Handlebar brace bar
- Clamp, front right hand
- Clamp, rear right hand
- Dot recess
- Fixings, M6 x 20 mm

- Repeat step 4 for the left hand clamps.
- Adjust the position of the handlebar brace assembly on the handlebar ensuring there is equal distance from the handlebar to the handlebar brace bar at the right hand and left hand side of the handlebars, as shown below. Tighten the lower M6 x 20 mm fixings to **9 Nm** to secure the handlebar brace assembly in position.

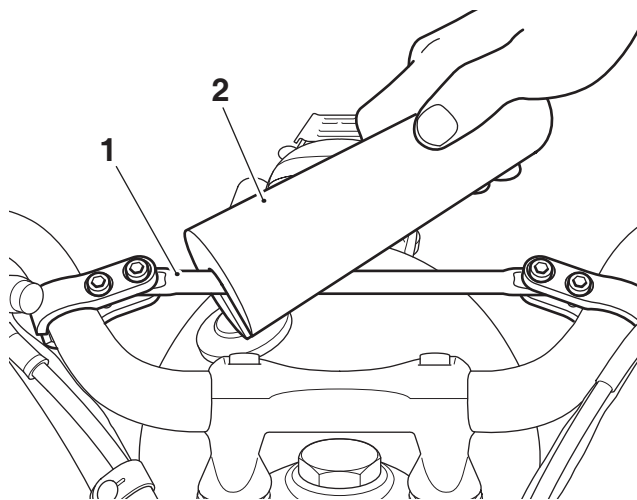


- Handlebar
- Handlebar brace bar
- Lower fixings, M6 x 20 mm

- Tighten the upper handlebar brace bar M6 x 20 mm fixings to **9 Nm**.

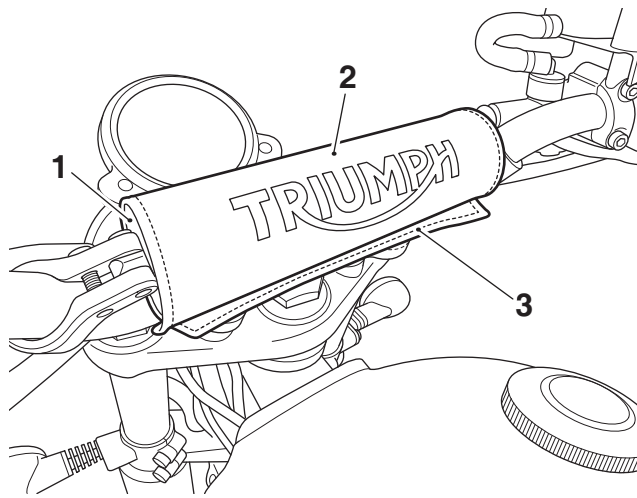
Handlebar Brace Pad

- Fit the handlebar brace pad onto the handlebar brace bar, as shown.



- Handlebar brace bar
- Handlebar brace pad

- Wrap the pad cover around the handlebar brace bar ensuring the hook and loop section of the cover is positioned towards the rear of the handlebars, as shown. Press the hook and loop sections firmly together.



- Handlebar brace pad
- Pad cover
- Hook and loop sections



Warning

If, after fitting this accessory kit, you have any doubt about the performance of any aspect of the motorcycle, contact an authorised Triumph dealer and do not ride the motorcycle until the authorised dealer has declared it fit for use. Riding a motorcycle when there is any doubt as to any aspect of the performance of the motorcycle may result in loss of motorcycle control and an accident.



Warning

Never ride an accessory-equipped motorcycle at speeds above 80 mph (130 km/h).

The presence of accessories will cause changes in the stability and handling of the motorcycle. Failure to allow for changes in motorcycle stability may result in loss of motorcycle control and an accident.

Remember that the 80 mph (130 km/h) limit will be reduced by the fitting of non-approved accessories, incorrect loading, worn tyres, overall motorcycle condition and poor road or weather conditions.



Warning

The motorcycle must not be operated above the legal road speed limit except in closed-course conditions.



Warning

Only operate this Triumph motorcycle at high speed in closed-course, on-road competition or on closed-course racetracks. High-speed operation should only be attempted by riders who have been instructed in the techniques necessary for high speed riding and are familiar with the motorcycle's characteristics in all conditions.

High-speed operation in any other circumstances is dangerous and may result in loss of motorcycle control and an accident.