

Fitting Instructions:

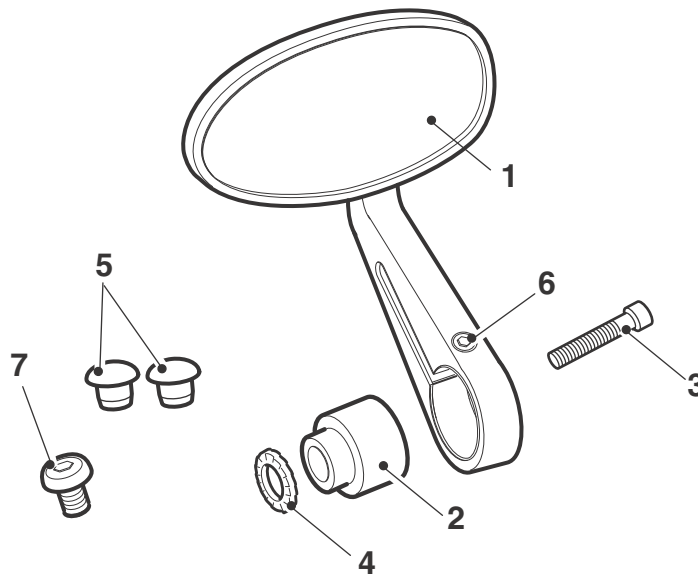
Street Triple Rx, Street Triple from VIN 560477 and Street Triple R from VIN 560477

A9638116 and A9638117

Thank you for choosing this Triumph genuine accessory kit. This accessory kit is the product of Triumph's use of proven engineering, exhaustive testing, and continuous striving for superior reliability, safety and performance.

Completely read all of these instructions before commencing the installation of the accessory kit in order to become thoroughly familiar with the kit's features and the installation process.

These instructions should be considered a permanent part of your accessory kit, and should remain with it even if your accessory-equipped motorcycle is subsequently sold.



Parts Supplied:

1. Mirror, bar end	1 off	5. Plug, plastic, M10	2 off
2. Adaptor, bar end	1 off	6. Screw, M6 x 20 mm	1 off
3. Screw, M6 x 30 mm	1 off	7. Screw, M10 x 12 mm	1 off
4. Lockwasher, M6	1 off		

Notice

These accessory mirrors may not comply with all national legislation requirements for rear view mirrors. Fitment for road use is therefore at the owner's own risk.



Warning

This accessory kit is designed for use on Triumph Street Triple Rx, Street Triple from VIN 560477 and Street Triple R from VIN 560477 motorcycles only and should not be fitted to any other manufacturer's motorcycle. Fitting this accessory kit to any other manufacturer's motorcycle will affect the performance, stability and handling of the motorcycle. This may affect the rider's ability to control the motorcycle and could cause an accident.



Warning

Always have Triumph approved parts, accessories and conversions fitted by a trained technician of an authorised Triumph dealer. The fitment of parts, accessories and conversions by a technician who is not of an authorised Triumph dealer may affect the handling, stability or other aspects of the motorcycle's operation which may result in loss of motorcycle control and an accident.



Warning

Throughout this operation, ensure that the motorcycle is stabilised and adequately supported to prevent risk of injury from the motorcycle falling.

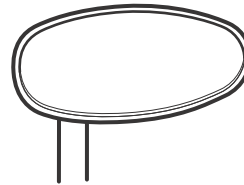


Warning

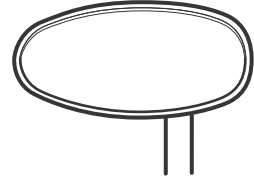
A torque wrench of known accurate calibration must be used when fitting this accessory kit. Failure to tighten any of the fasteners to the correct torque specification may result in loss of motorcycle control and an accident.

Note:

- **The mirror supplied can be fitted to either the left-hand, or right-hand side of the handlebar. Rotate the mirror head to suit.**



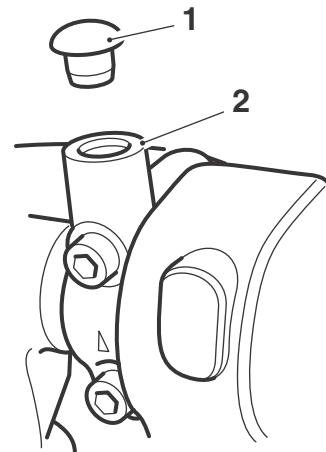
Left-Hand



Right-Hand

Street Triple from VIN 560477

1. Remove the original mirrors from the motorcycle. Pull back the rubber boots, loosen the nuts and unscrew the mirror assemblies. Retain the mirrors if the motorcycle is to be returned to its original condition.
2. Insert the supplied M10 plastic plugs into both original mirror mounting point threaded holes.



1. M10 plastic plug
2. Mirror mounting point, right-hand shown

Street Triple Rx, Street Triple R from VIN 560477

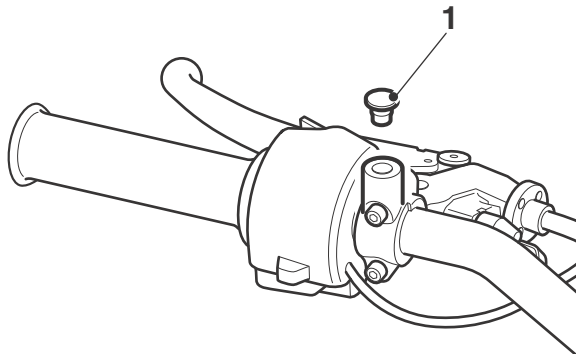


Caution

To prevent damage, ensure that any displaced brake fluid does not come into contact with any part of the bodywork.

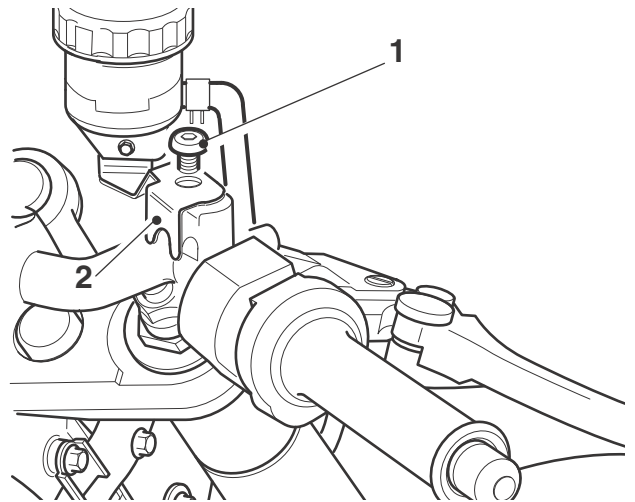
Note:

- **When the right-hand mirror is removed the brake fluid reservoir and its mounting bracket will become detached. Taking care not to invert the brake fluid reservoir, lay the assembly aside.**
3. Remove the original mirrors from the motorcycle. Pull back the rubber boots, loosen the nuts and unscrew the mirror assemblies. Retain the mirrors if the motorcycle is to be returned to its original condition.
 4. Fit the M10 plastic plug provided into the left-hand original mirror mounting point threaded hole.



1. M10 plastic plug

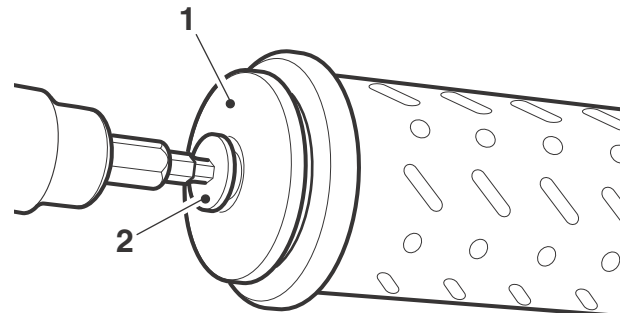
5. Ensure the brake fluid reservoir is correctly positioned. Fit the M10 x 12 mm screw provided through the brake fluid reservoir bracket, into the right-hand original mirror mounting point. Tighten to **25 Nm**.



1. Screw, M10 x 12 mm
2. Brake fluid reservoir bracket

All Models

6. Remove the bar end weight and fixing. Retain the bar end weight and fixing if the motorcycle is to be returned to its original condition.

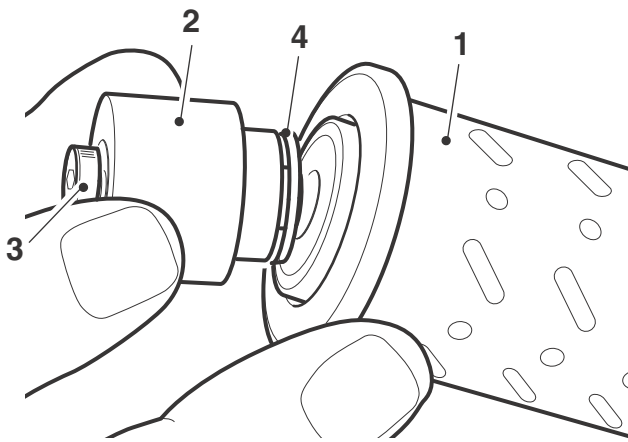


1. Bar end weight
2. Fixing

Note:

- **When fitting the bar end adaptor the lockwasher must only be used once. If the adaptor is removed and refitted a new lockwasher must be used to ensure correct retention of the adaptor.**
- **If the bar end mirror is to be removed for a period of time it is recommended to leave the adaptor fitted to the motorcycle.**

7. Fit the adaptor, lockwasher and screw into the handlebar as shown below. Tighten the screw to **13 Nm**.



1. Handlebar
2. Adaptor
3. Screw, M6
4. Lockwasher

Warning

When fitting the mirror assembly onto the handlebar adaptor ensure there is sufficient clearance between the mirror and throttle grip. Failure to allow clearance could restrict the free movement of the throttle grip and prevent correct throttle operation. Riding a motorcycle when there is any doubt as to any aspect of the performance of the throttle operation may result in loss of control of the motorcycle leading to an accident.

Warning

Operation of the motorcycle with incorrectly adjusted, incorrectly routed or damaged throttle cables could interfere with the operation of the brakes, clutch or the throttle itself. Any of these conditions could result in loss of control of the motorcycle and an accident.

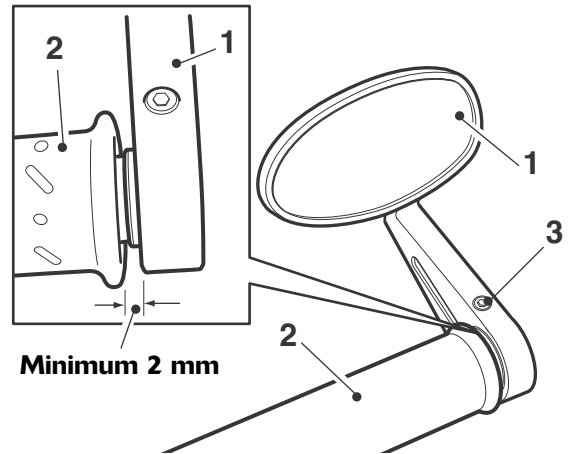
Warning

Move the handlebars to left and right full lock while checking that cables and harnesses do not bind. Cables or harnesses that bind will restrict the steering and may cause loss of control and an accident.

Warning

Ensure that the adjuster lock nuts are tightened. A loose throttle cable adjuster could cause the throttle to stick, leading to loss of control and an accident.

8. Position the mirror assembly onto the adaptor. To ensure adequate clearance between the mirror and throttle grip is achieved, pull the throttle grip as far as possible towards the end of the handlebar. Adjust the position of the mirror on the adaptor to provide a minimum of 2 mm clearance between the mirror and throttle grip, as shown below.



1. Mirror, right-hand shown
2. Throttle grip
3. Clamp fixing

Warning

If the mirror fixing is too loose, the mirror may blow back at speed. This will result in a loss of vision to the rear of the motorcycle. It is dangerous to ride a motorcycle without sufficient rearward vision.

9. Adjust the mirror assembly to provide clear rear visibility in the normal riding position. Tighten the clamp fixing to **12 Nm**.

Warning

Once fitted, do not adjust the rotational angle of the mirror without first loosening the clamp fixing. Ensure, after adjustment, the clamp fixing is re-tightened to **12 Nm**. Failure to loosen the clamp fixing before any adjustment could lead to a loss of torque in the adaptor retaining screw. Failure to maintain any of the fasteners, or clamp fixings, to the correct torque specification could result in movement of the mirror assembly when riding the motorcycle. This may distract the rider resulting in loss of motorcycle control and an accident.

 **Warning**

Check the torque specification of all fasteners and clamp fixings at regular intervals. Failure to tighten any of the fasteners, or clamp fixings, to the correct torque specification could result in movement of the mirror assembly when riding the motorcycle. This may result in loss of motorcycle control and an accident.

 **Warning**

After fitting the accessory kit the motorcycle will exhibit new handling characteristics. Operate the motorcycle in a safe area free from traffic to gain familiarity with any new characteristics. Operation of the motorcycle when not familiar with any new handling characteristics may result in loss of motorcycle control and an accident.

 **Warning**

If, after fitment of this accessory kit, you have any doubt about the performance of any aspect of the motorcycle, contact an authorised Triumph dealer and do not ride the motorcycle until the authorised dealer has declared it fit for use. Riding a motorcycle when there is any doubt as to any aspect of the performance of the motorcycle may result in loss of control of the motorcycle leading to an accident.

 **Warning**

Never ride an accessory equipped motorcycle at speeds above 80 mph (130 km/h). The presence of accessories will cause changes in the stability and handling of the motorcycle. Failure to allow for changes in motorcycle stability may lead to loss of control or an accident. Remember that the 80 mph (130 km/h) limit will be reduced by the fitting of non-approved accessories, incorrect loading, worn tyres, overall motorcycle condition and poor road or weather conditions.

 **Warning**

Never attempt to clean or adjust mirrors while riding the motorcycle. Removal of the rider's hands from the handlebars while riding the motorcycle will diminish the ability of the rider to maintain control of the motorcycle. Attempting to clean or adjust mirrors while riding the motorcycle may result in loss of control of the motorcycle and an accident.

 **Warning**

The motorcycle must not be operated above the legal road speed limit except in closed course conditions.

 **Warning**

Only operate this Triumph motorcycle at high speed in closed course, on-road competition or on closed course racetracks. High speed operation should only be attempted by riders who have been instructed in the techniques necessary for high speed riding and are familiar with the motorcycle's characteristics in all conditions. High speed operation in any other circumstances is dangerous and will lead to loss of motorcycle control and an accident.