



## Accessory Fitting Instructions

Thank you for choosing this Triumph genuine accessory kit. This accessory kit is the product of Triumph's use of proven engineering, exhaustive testing, and continuous striving for superior reliability, safety and performance.

Completely read all of these instructions before commencing the installation of the accessory kit in order to become thoroughly familiar with the kit's features and the installation process.

These instructions should be considered a permanent part of your accessory kit, and should remain with it even if your accessory equipped motorcycle is subsequently sold.

### ***NOTICE***

When fitting mirror kits to Bonneville Speedmaster models from VIN 739143, they are only to be fitted with Accessory High Handlebar kits A9630250, A9630251, A9630258, A9630391, A9630256, A9630257, A9630262, A9630569 or Accessory Alternative Handlebar kit A9630654.

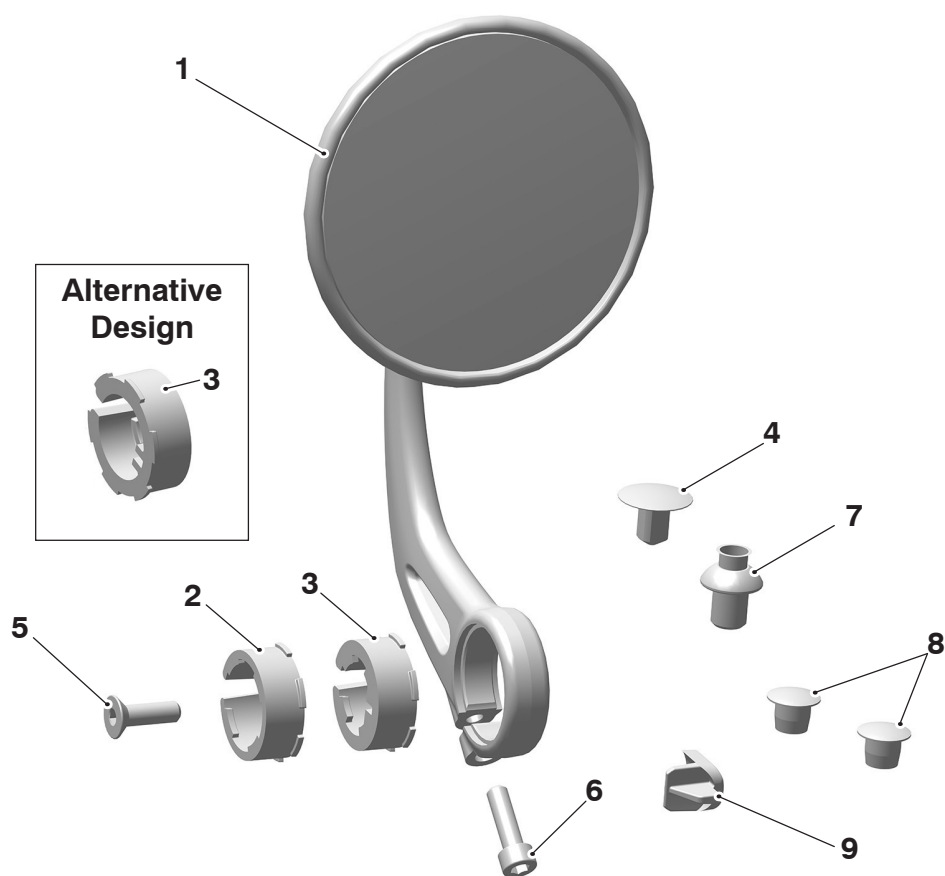
<b>Bar End Mirrors</b>	
<b>Kit Number</b>	<b>Models</b>
<b>Bar End Mirror Kit</b>	
A9638132	Street Twin, Speed Twin 900, Street Cup, Street Scrambler up to VIN 910740, Bonneville T100 from VIN 759204, Bonneville T120, Bonneville T120 Black, Thruxton 1200 R, Speed Twin up to VIN AE3665 with Euro 4 engine ECM
A9638133	Street Twin, Speed Twin 900, Street Cup, Street Scrambler up to VIN 910740, Bonneville T100 from VIN 759204, Bonneville T120, Bonneville T120 Black, Thruxton 1200 R, Thruxton TFC, Speed Twin up to VIN AE3665 with Euro 4 engine ECM
<b>Bar End Mirror Kit, Black</b>	
A9630205	Street Twin up to VIN 914972, Street Cup, Street Scrambler up to VIN 910740, Bonneville T100 from VIN 759204, Bonneville T120, Bonneville Bobber, Bonneville Bobber - Black, Bonneville Speedmaster from VIN 739143, Thruxton 1200, Thruxton 1200 R, Speed Triple S, Speed Triple R from VIN 735337, Speed Triple RS, Street Triple S, Street Triple S 660 cc up to VIN 967906, Street Triple R from VIN 793032 up to VIN 982751, Street Triple RS up to VIN 966533
<b>Bar End Mirror Kit, Clear Anodised</b>	
A9630206	Street Twin up to VIN 914972, Street Cup, Street Scrambler up to VIN 910740, Bonneville T100 from VIN 759204, Bonneville T120, Bonneville Bobber, Bonneville Bobber - Black, Bonneville Speedmaster from VIN 739143, Thruxton 1200, Thruxton 1200 R, Speed Triple S, Speed Triple R from VIN 735337, Speed Triple RS, Street Triple S, Street Triple S 660 cc up to VIN 967906, Street Triple R from VIN 793032 up to VIN 982751, Street Triple RS up to VIN 966533
<b>Bar End Mirror Kit, Round</b>	
A9630716	Bonneville T120 Black, Trident from VIN AC6898, Street Twin from VIN AB9715 and Speed Twin 900 with Euro 5 ECM (see page 3), Rocket 3 R, Rocket 3 R Storm, Rocket 3 GT, Rocket 3 GT Storm, Rocket 3 TFC, Rocket 3 GT Triple Black, Rocket 3 R Black, Thruxton RS, Street Triple RS from VIN BF1297, Street Triple RS Moto2™
A9630742	Rocket 3 R Storm, Rocket 3 GT Storm
<b>Bar End Mirror Kit, Sport</b>	
A9630721	Street Triple S 660cc from VIN 967907, Street Triple R from VIN 982752 up to VIN BF0949, Street Triple RS from VIN 966534 up to VIN BF0949, Rocket 3 R, Rocket 3 GT, Rocket 3 TFC, Rocket 3 GT Triple Black to VIN AH9994, Rocket 3 R Black
<b>Bar End Mirror Kit, Sport</b>	
A9630826	Street Triple S 660 cc from VIN 967907, Street Triple R from VIN 982752 up to VIN BF0949, Street Triple RS from VIN 966534 up to VIN BF0949, Rocket 3 R, Rocket 3 R Storm, Rocket 3 GT, Rocket 3 GT Storm, Rocket 3 TFC, Rocket 3 GT Triple Black, Rocket 3 R Black, Speed Triple 1200 RS, Street Triple RS Moto2™
<b>Paired Bar End Mirror Kit</b>	

## Bar End Mirrors

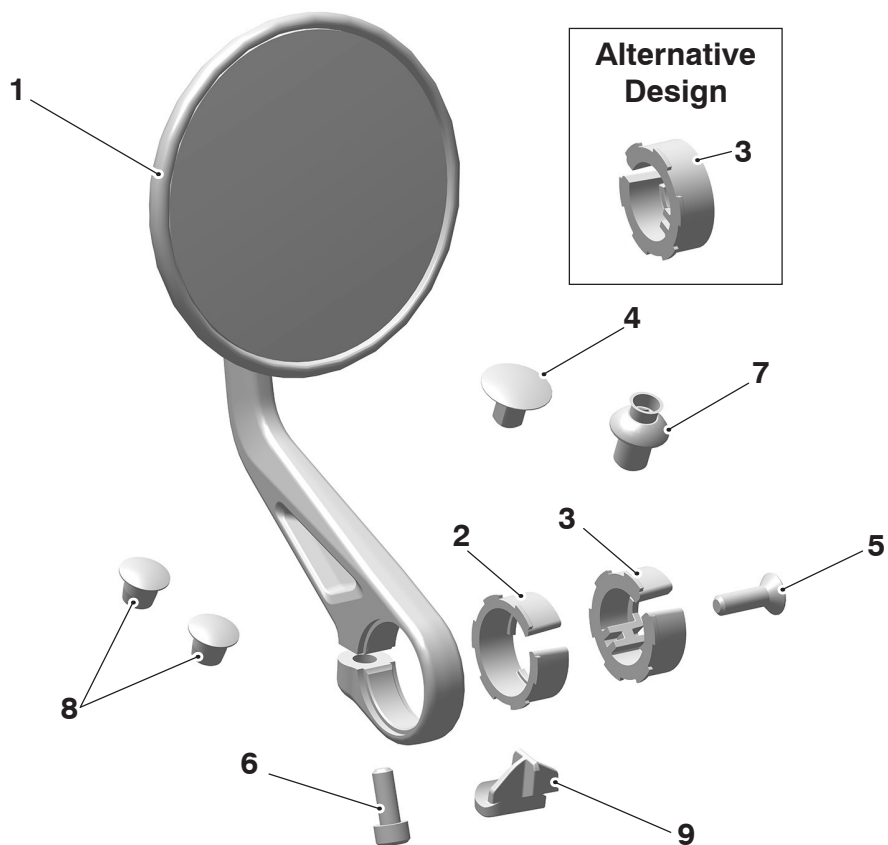
A9638153, A9638339	Street Twin, Speed Twin 900, Street Cup, Street Scrambler up to VIN 910740, Bonneville T100 from VIN 759204, Bonneville T120, Thruxton 1200 R, Thruxton TFC, Speed Twin up to VIN AE3665 with Euro 4 engine ECM
A9638154	Street Twin, Speed Twin 900, Street Cup, Street Scrambler up to VIN 910740, Bonneville T100 from VIN 759204, Bonneville T120, Thruxton 1200 R, Speed Twin up to VIN AE3665 with Euro 4 engine ECM

### Parts supplied

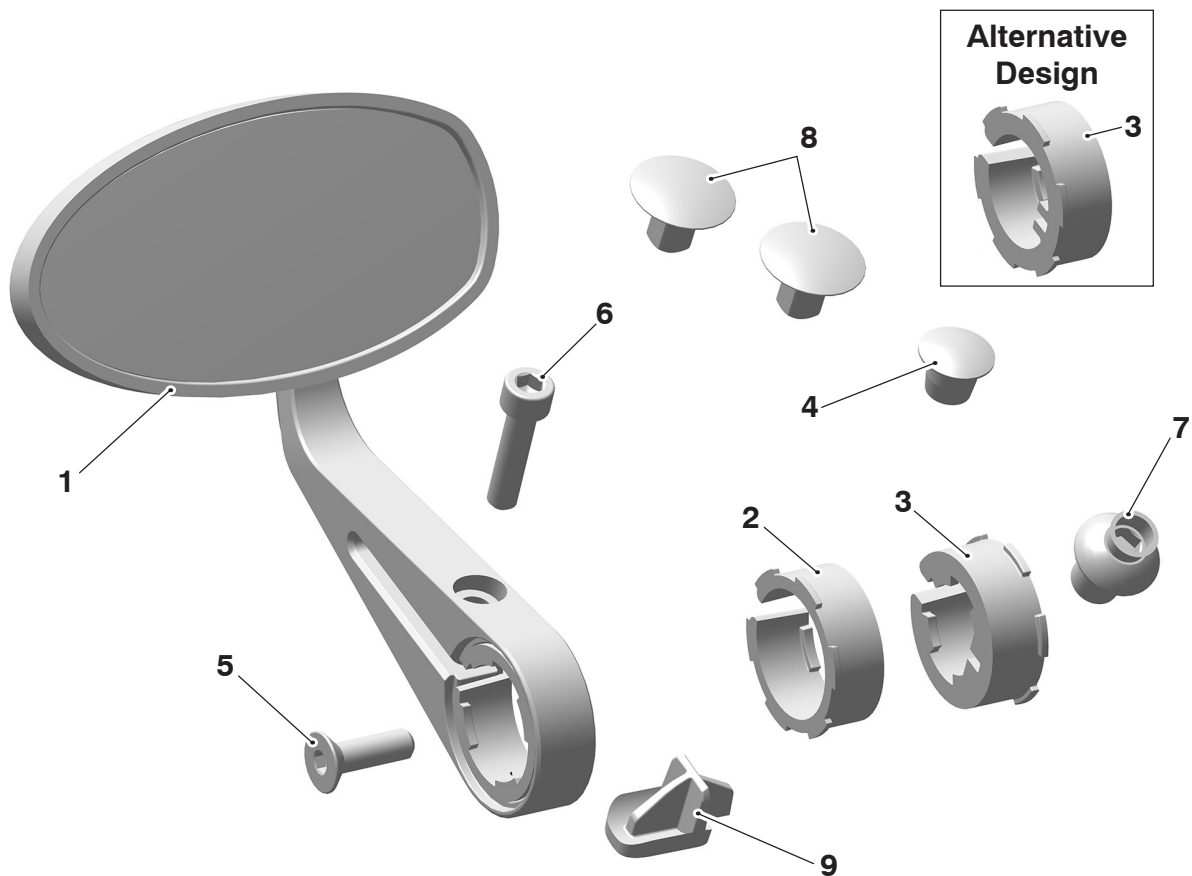
**A9638132**



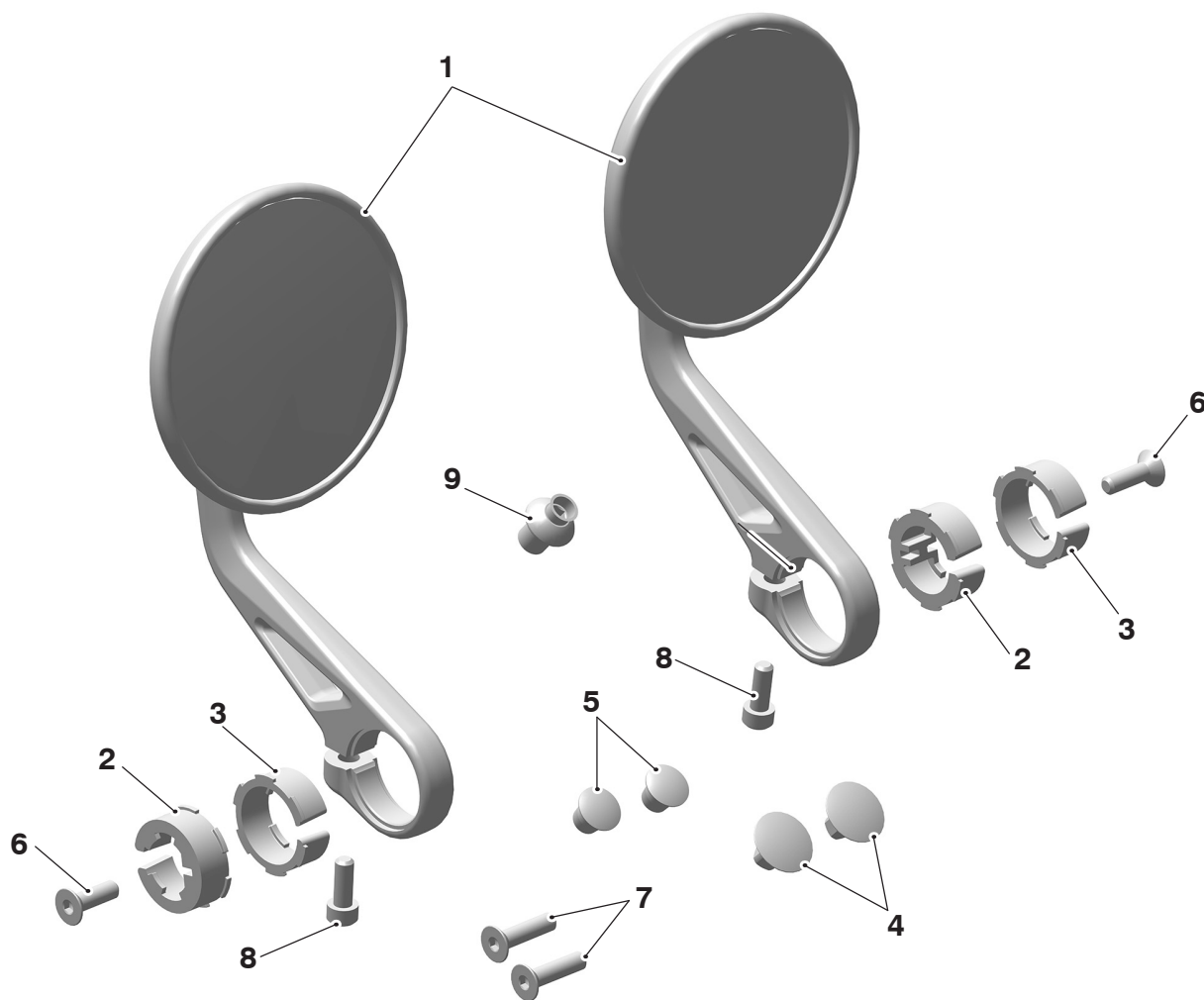
1. Mirror assembly	1 off	6. Cap head screw, M6 x 20 mm	1 off
2. Friction ring, 25.4 mm diameter	1 off	7. Screw, M10 x 12 mm	1 off
3. Friction ring, 22.2 mm diameter	1 off	8. Plastic plug, M8 (if supplied)	2 off
4. Plastic plug, M10	1 off	9. Handlebar plug (if supplied)	1 off
5. Countersunk head screw, M6 x 20 mm	1 off		



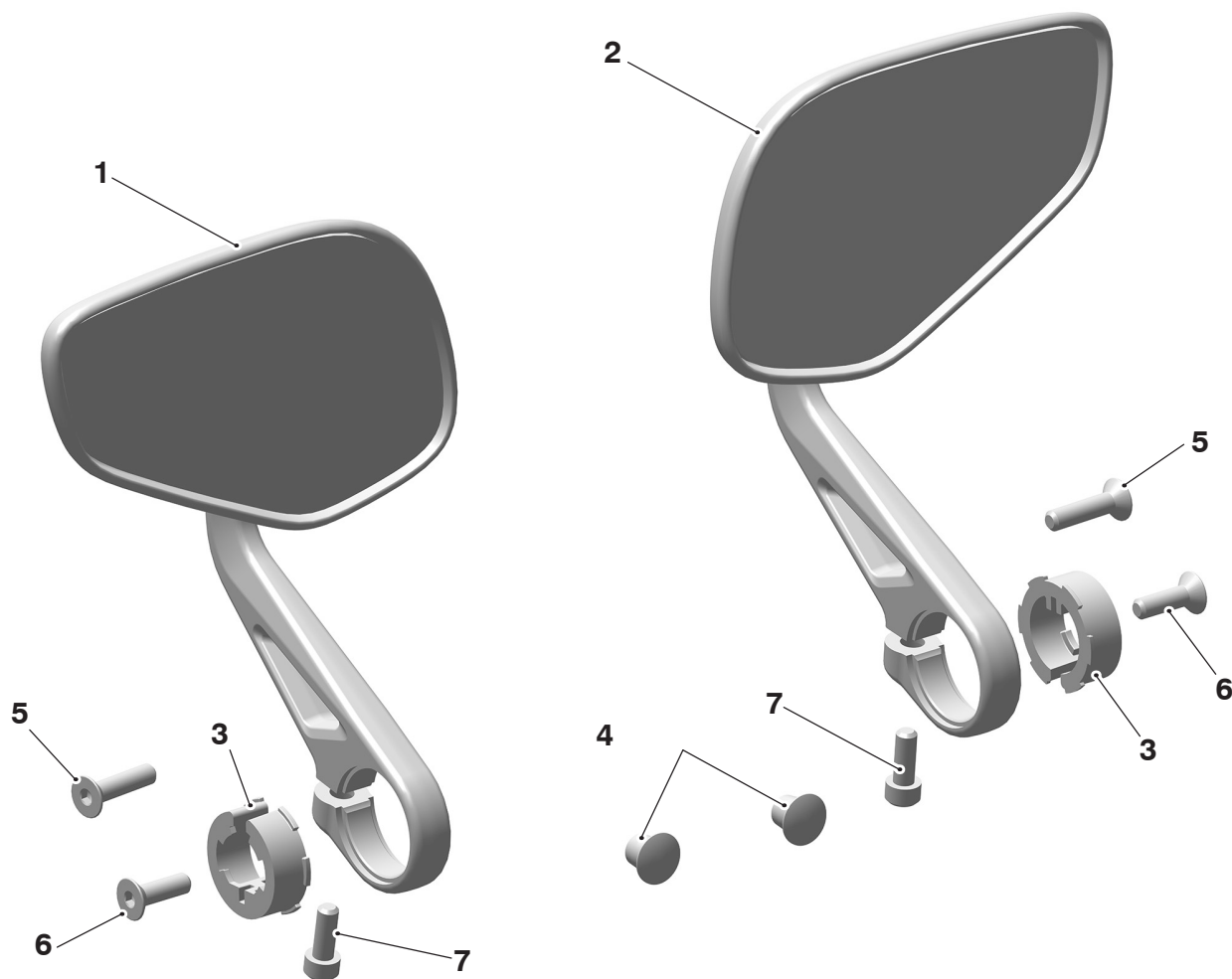
1. Mirror assembly	1 off	6. Cap head screw, M6 x 20 mm	1 off
2. Friction ring, 25.4 mm diameter	1 off	7. Screw, M10 x 12 mm	1 off
3. Friction ring, 22.2 mm diameter	1 off	8. Plastic plug, M8 (if supplied)	2 off
4. Plastic plug, M10	1 off	9. Handlebar plug (if supplied)	1 off
5. Countersunk head screw, M6 x 20 mm	1 off		



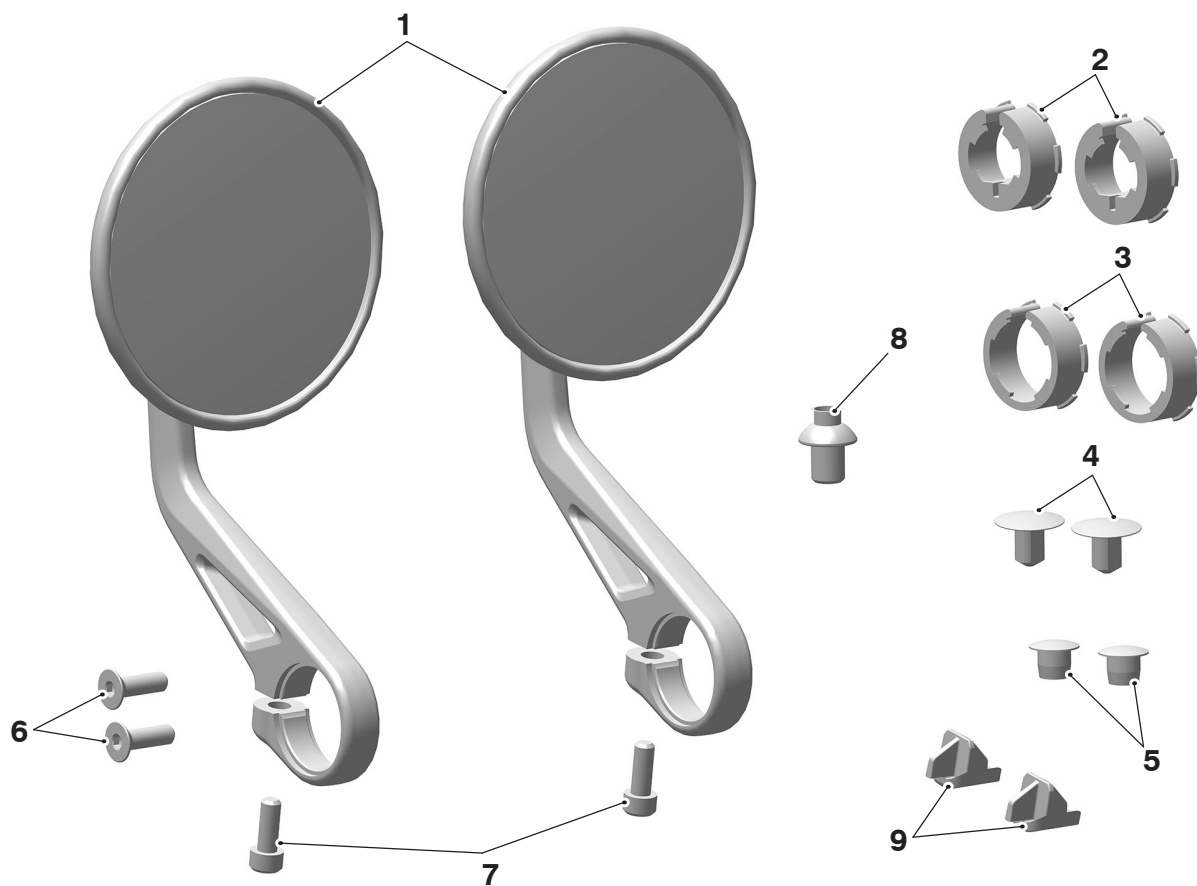
1. Mirror assembly	1 off	6. Cap head screw, M6 x 20 mm	1 off
2. Friction ring, 25.4 mm diameter	1 off	7. Screw, M10 x 12 mm	1 off
3. Friction ring, 22.2 mm diameter	1 off	8. Plastic plug, M8 (if supplied)	2 off
4. Plastic plug, M10	1 off	9. Handlebar plug (if supplied)	1 off
5. Countersunk head screw, M6 x 20 mm	1 off		



1. Mirror assembly	2 off	6. Countersunk head screw, M6 x 20 mm	2 off
2. Friction ring, 25.4 mm diameter	2 off	7. Countersunk head screw, M6 x 25 mm	2 off
3. Friction ring, 22.2 mm diameter	2 off	8. Cap head screw, M6 x 20 mm	1 off
4. Plastic plug, M10	2 off	9. Screw, M10 x 12 mm	1 off
5. Plastic plug, M8	2 off		

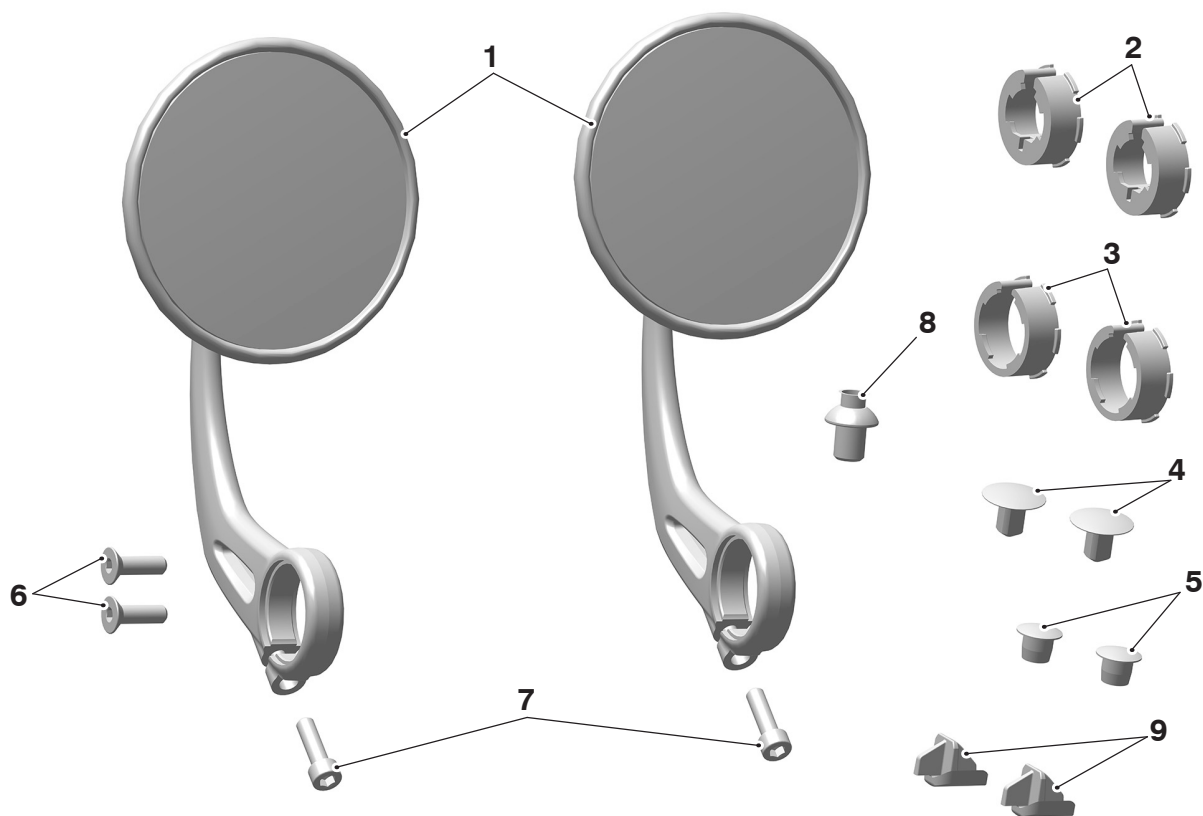


1. Mirror assembly, left hand	1 off	5. Countersunk head screw, M6 x 20 mm	2 off
2. Mirror assembly, right hand	1 off	6. Countersunk head screw, M6 x 25 mm	2 off
3. Friction ring, 22.2 mm diameter	2 off	7. Cap head screw, M6 x 16 mm	2 off
4. Plastic plug, M10	2 off		

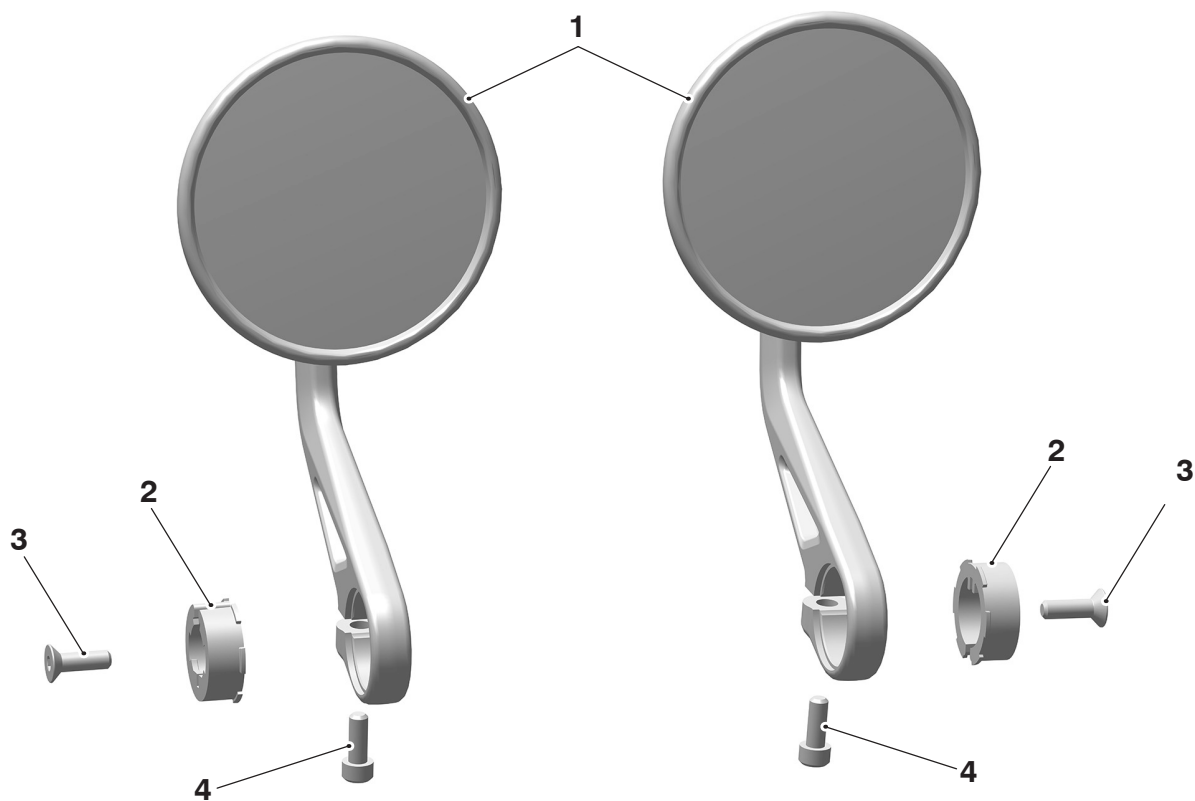


1. Mirror assembly	2 off	6. Countersunk head screw, M6 x 20 mm	2 off
2. Friction ring, 25.4 mm diameter	2 off	7. Cap head screw, M6 x 16 mm	2 off
3. Friction ring, 22.2 mm diameter	2 off	8. Screw, M10 x 12 mm	1 off
4. Plastic plug, M10	2 off	9. Handlebar plug	2 off
5. Plastic plug, M8	2 off		





1. Mirror assembly	2 off	6. Countersunk head screw, M6 x 20 mm	2 off
2. Friction ring, 25.4 mm diameter	2 off	7. Cap head screw, M6 x 20 mm	2 off
3. Friction ring, 22.2 mm diameter	2 off	8. Screw, M10 x 12 mm	1 off
4. Plastic plug, M10	2 off	9. Handlebar plug	2 off
5. Plastic plug, M8	2 off		

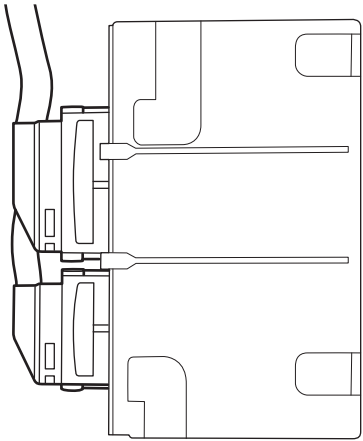
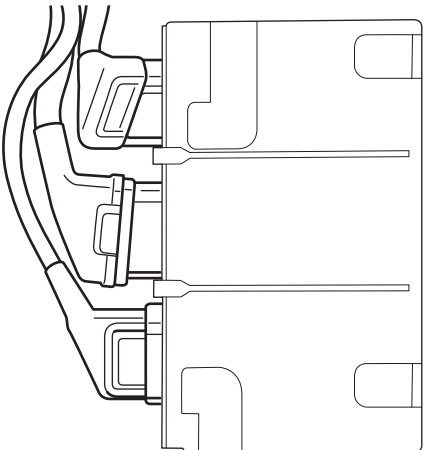


1. Mirror assembly	2 off	3. Screw, M6 x 20 mm	2 off
2. Friction ring, 22.2 mm diameter	2 off	4. Cap head screw, M6 x 16 mm	2 off

**ECM Identification**

**NOTICE**

The engine ECM is located under the seat.

Euro 4 ECM	Euro 5 ECM
	
Two Connectors	Three Connectors

### **⚠ WARNING**

Fit only genuine Triumph accessories to those models approved by Triumph as listed in the associated Triumph fitting instructions.

The accessory kits covered in this instruction are designed for use on specific models of Triumph motorcycle. The accessory kits and the models applicable are listed at the start of the instruction. They should never be fitted to any other Triumph model or to any other manufacturer's motorcycle.

Fitting an accessory kit to a Triumph model not listed, or to any other manufacturer's motorcycle, will affect the performance, stability and handling of the motorcycle.

Failure to follow the advice above may lead to loss of motorcycle control which could result in serious injury or death.

### **⚠ WARNING**

Always have Triumph approved parts, accessories and conversions fitted by a competent person with the specialist knowledge and technical understanding of motorcycles, such as an authorised Triumph dealer.

The fitment of parts, accessories and conversions by a person without the specialist knowledge and technical understanding of motorcycles may affect the handling, stability or other aspects of the motorcycle's operation.

Failure to follow the advice above may lead to loss of motorcycle control which could result in serious injury or death.

### **⚠ WARNING**

A torque wrench of known accurate calibration must be used when fitting this accessory kit.

Failure to tighten any of the fasteners to the correct torque specification may affect motorcycle performance, handling and stability.

Failure to follow the advice above may lead to loss of motorcycle control which could result in serious injury or death.

### **⚠ WARNING**

Make sure the motorcycle is stabilised and adequately supported.

Do not support the motorcycle on any ancillary component, the exhaust system or any other non structural parts of the motorcycle frame.

A correctly supported motorcycle will help prevent it from falling.

An unstable motorcycle may fall resulting in motorcycle damage, serious injury or death.

### **NOTICE**

Triumph offers a broad range of approved genuine accessories for your motorcycle.

We cannot therefore cover all possible equipment variations in these instructions. For removal and installation of Triumph Genuine Accessories, always refer to the instructions supplied with the respective accessory kit.

To obtain additional copies of any Triumph accessory instructions, visit [www.triumphinstructions.com](http://www.triumphinstructions.com) or contact your authorised Triumph dealer.

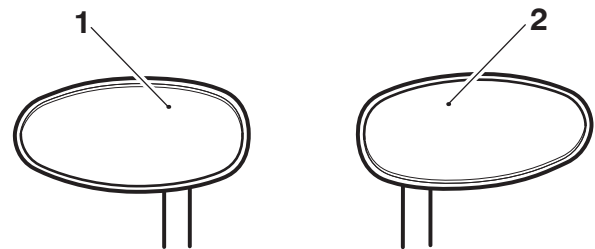
### **Remove Fitted Bar End Mirrors**

### **NOTICE**

The mirror supplied can be fitted to either the left hand or right hand side of the handlebar. Rotate the mirror head to suit.

### **NOTICE**

The method of fitting the bar end mirror kits is different for motorcycles fitted with stem style mirrors as standard fitment, to those fitted with bar end mirrors as standard fitment. Follow the appropriate instructions below.



1. Left hand mirror
2. Right hand mirror

### **NOTICE**

Street Twin, Speed Twin 900, Street Scrambler up to VIN 910740, Bonneville T100, Bonneville T120, Bonneville T120 Black, Bonneville Speedmaster from VIN 739143

To prevent any body damage, do not spill brake fluid onto any area of bodywork.

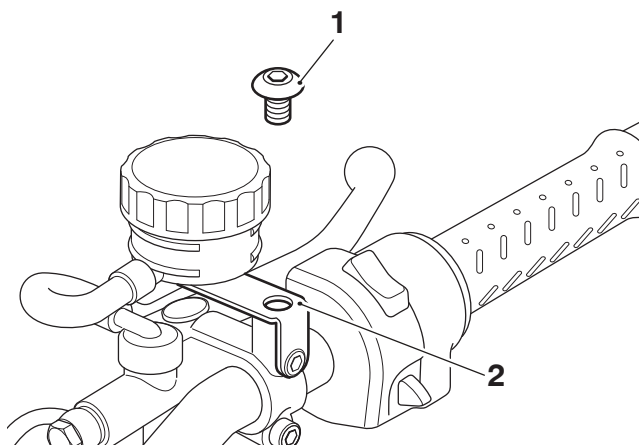
**Street Twin, Speed Twin 900, Street Scrambler up to VIN 910740 Models Only**

1. Remove the original mirror from the chosen side of the motorcycle. Pull back the rubber boot and unscrew the mirror assembly with the stem adaptor. Retain the mirror and fixings if the motorcycle is to be returned to its original condition.

### NOTICE

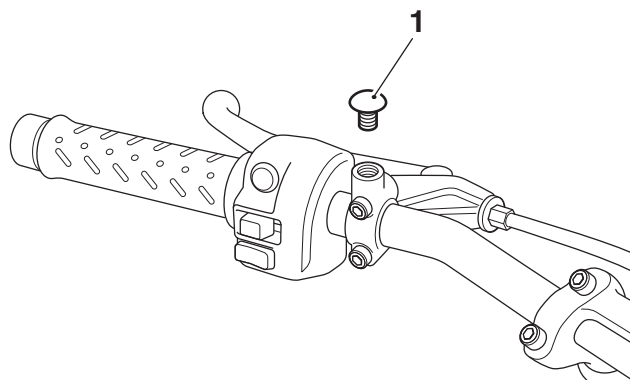
When the right hand mirror is removed the brake fluid reservoir and its mounting bracket will become detached. Taking care not to invert the reservoir, hold the assembly in its original position while fitting the M10 fixing.

2. If fitting a right hand mirror, make sure the brake fluid reservoir is correctly positioned. Fit the M10 x 12 mm screw provided through the brake fluid reservoir mounting bracket and into the right hand original mirror mounting point. Tighten to **25 Nm**, as shown below.



1. Screw, M10 x 12 mm
2. Brake fluid reservoir mounting bracket

3. If fitting a left hand mirror, fit the M10 plastic plug provided into the original left hand mirror mounting point threaded hole, as shown below.



1. Plastic plug, M10

**Bonneville T100, Bonneville T120, Bonneville T120 Black, Bonneville Speedmaster from VIN 739143 Models Only**

4. Remove the mirror retaining screw and original mirror from the left hand or right hand side. Retain the mirror and screw if the motorcycle is to be returned to its original condition.
5. Fit an M8 plastic plug if provided in the kit, into the original mirror mounting point hole.

**Street Cup, Bonneville Bobber, Bonneville Bobber - Black, Thruxton 1200, Thruxton 1200 R, Thruxton RS, Thruxton TFC, Speed Twin up to VIN AE3665 with Euro 4 engine ECM, Speed Triple S, Speed Triple R, Speed Triple RS, Street Triple S, Street Triple S 660cc, Street Triple R, Street Triple RS, Street Triple RS Moto2™, Speed Triple 1200 RS, Trident from VIN AC6898 Only**

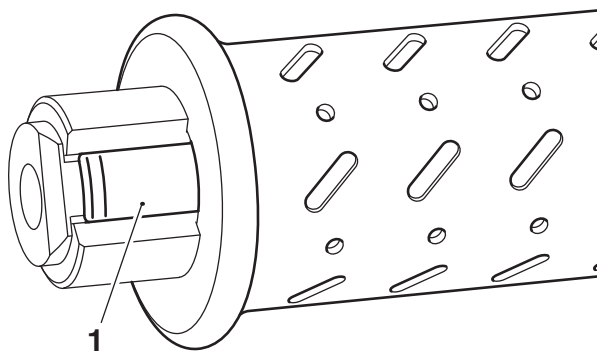
6. Remove the bar end finishers from the handlebar, as described in the Service Manual. Retain the bar end finishers for reuse and discard the finisher fixings.
7. Remove the original mirrors from the motorcycle as described in the Service Manual. Retain the mirrors if the motorcycle is to be returned to its original condition.
8. Fit an M8 or M10 plastic plug, if provided in the kit, into the original mirror mounting point hole.

### Handlebar Plugs

**All Models**

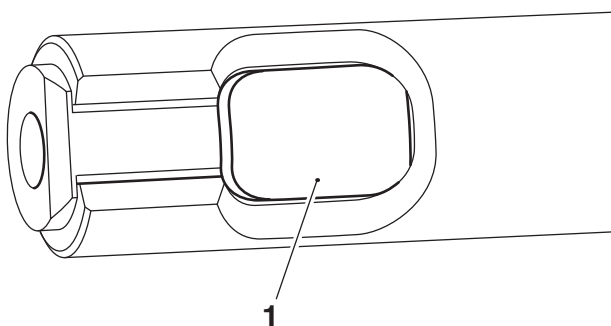
## NOTICE

For motorcycles fitted with 22.2 mm handlebars only. The accessory kit may include a handlebar plug. If the accessory kit includes a handlebar plug, replace the left hand original handlebar plug. If the accessory kit does not include a handlebar plug, or the original handlebar plug is not fitted the original handlebar plug can be identified by the extended section of the handlebar plug visible past the handlebar grip, as shown below.



### 1. Handlebar plug

9. If a handlebar plug has been identified, remove the left hand side handlebar grip as described in the Service Manual. Retain the handlebar grip for reuse.
10. Remove the original handlebar plug from the handlebars. Retain the handlebar plug for reuse if the motorcycle is to be returned to its original condition.
11. Fit the accessory handlebar plug from the kit as shown below.



### 1. Handlebar plug

12. Refit the handlebar grip as described in the Service Manual.

## Friction Rings

### NOTICE

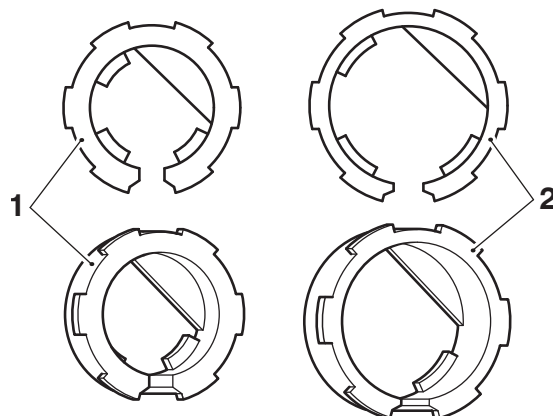
When friction rings are fitted to the handlebar make sure they are a tight fit. Friction rings which are loose on the handlebar will prevent secure fitting of a bar end mirror.

### NOTICE

There are alternative size friction rings provided in the kit.

Street Twin, Speed Twin 900, Street Scrambler up to VIN 910740, Street Cup, Thrupton 1200 R, Thrupton RS, Thrupton TFC, Speed Twin up to VIN AE3665 with Euro 4 engine ECM, Speed Triple, Street Triple, Trident models use the 22.2 mm diameter friction ring.

Bonneville T100, Bonneville T120, Bonneville T120 Black, Bonneville Speedmaster from VIN 739143, Bonneville Bobber, Bonneville Bobber Black and Thrupton 1200 models use the 25.4 mm friction ring.

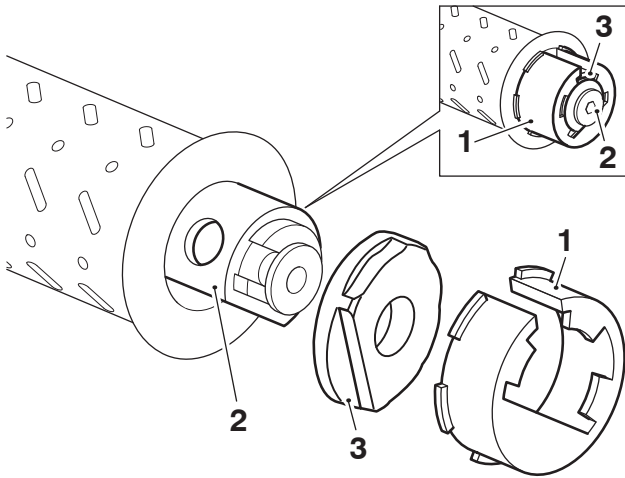


1. Friction ring, 22.2 mm diameter

2. Friction ring, 25.4 mm diameter

Street Twin, Speed Twin 900, Street Scrambler up to VIN 910740, Bonneville T100, Bonneville T120, Bonneville T120 Black, Bonneville Speedmaster from VIN 739143 Models Only

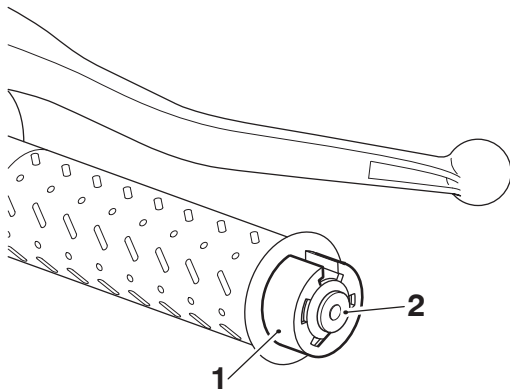
13. **Left Hand Side** Fit the friction ring provided onto the end of the handlebar as shown below. **Right Hand Side** Fit the friction ring provided and, where fitted, the original spacer onto the end of the handlebar as shown below.



1. Friction ring  
2. Handlebar  
3. Spacer (where fitted, right hand side only)

Street Cup, Thruxton 1200 R, Thruxton RS, Thruxton TFC, Speed Twin up to VIN AE3665 with Euro 4 engine ECM, Speed Triple, Street Triple, Trident

14. Replace the friction ring with the correct size friction ring from the kit.

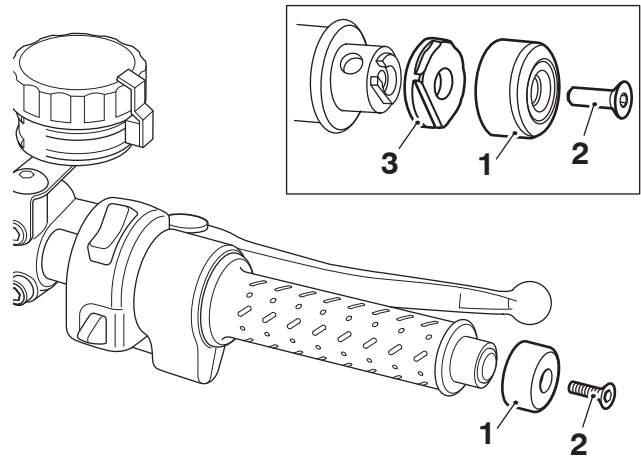


1. Friction ring  
2. Handlebar  
3. Spacer (where fitted, right hand side only)

### Fit Bar End Finishers

Street Twin, Speed 900, Street Scrambler up to VIN 910740 Models Only

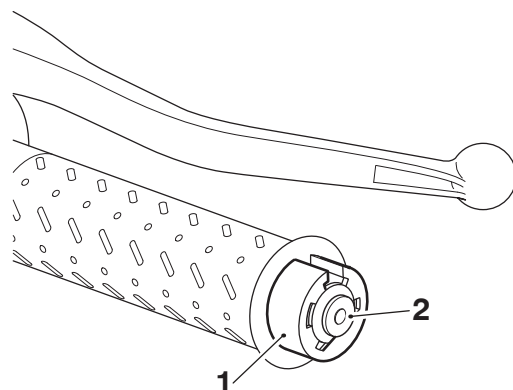
15. **Left Hand Side** Remove the bar end finisher and retain for reuse if the motorcycle is to be returned to its original condition. Discard the finisher fixing. **Right Hand Side** Remove the bar end finisher and retain for reuse if the motorcycle is to be returned to its original condition. If a spacer is fitted remove and retain for reuse. Discard the finisher fixings.



1. Bar end finisher  
2. Fixing  
3. Spacer (where fitted, right hand side only)

### Rocket 3 Models Only

16. Remove the bar end finishers from the handlebar as described in the Service Manual. Retain the bar end finishers for reuse and discard the finisher fixings.
17. Remove the original bar end mirrors and friction rings from the motorcycle as described in the Service Manual. Retain the mirrors and friction rings for reuse if the motorcycle is to be returned to its original condition.
18. Fit the 22.2 mm friction rings from the kit.



1. Friction ring  
2. Handlebar

## Fitting the Bar End Mirror

### **⚠ WARNING**

When fitting the mirror assembly onto the handlebar friction ring, make sure there is sufficient clearance between the mirror and throttle grip.

Failure to allow clearance could restrict the free movement of the throttle grip and prevent correct throttle operation which may lead to loss of motorcycle control, which could result in serious injury or death.

### **⚠ WARNING**

Move the handlebars to left and right full lock while checking that cables and harnesses do not bind. Cables or harnesses that bind will restrict the steering and may result in loss of motorcycle control which could result in serious injury or death.

### **⚠ WARNING**

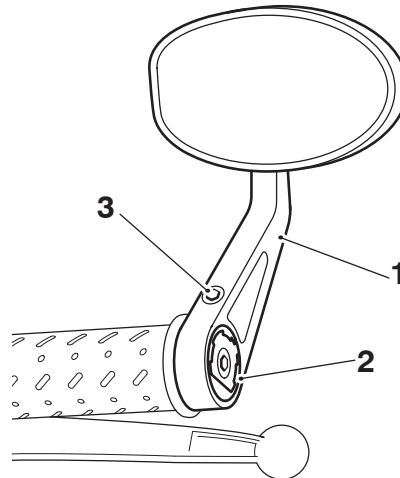
If the mirror fixing is too loose the mirror may blow back at speed. This will result in a loss of vision to the rear of the motorcycle. It's dangerous to ride a motorcycle without sufficient rearward vision which could result in serious injury or death.

### **NOTICE**

Where bar end mirrors are fitted to both sides of the motorcycle, the fitting of the bar end mirror is the same for both sides.

Accessory Kits A9630205, A9630206 Only

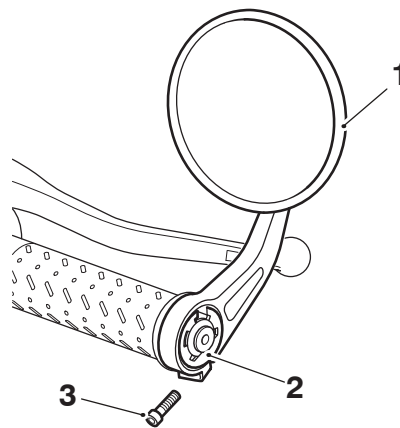
1. Fit the bar end mirror over the friction ring on the handlebar. Adjust the mirror assembly to provide clear rear visibility in the normal riding position. Fit the M6 cap head screw from the kit and tighten to **10 Nm**.



1. Mirror
2. Friction ring
3. Screw, M6 cap head

Accessory Kits A9638132, A9638133, A9630721, A9630742, A9638153, A9638339, A9638154, A9630716, A9630826 Only

2. Fit the bar end mirror over the friction ring on the handlebar. Adjust the mirror assembly to provide clear rear visibility in the normal riding position. Fit the M6 cap head screw from the kit and tighten to **3.5 Nm**.



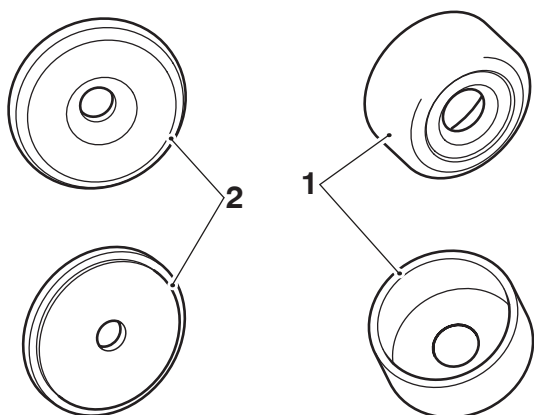
1. Mirror
2. Friction ring
3. Screw, M6 cap head



## Fitting the Bar End Finishers

### NOTICE

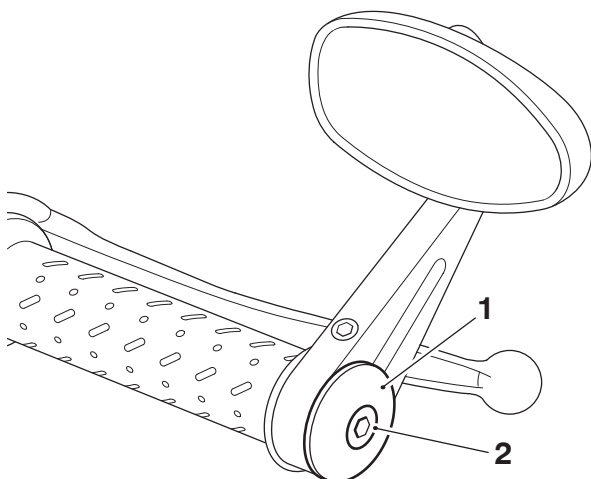
The original flat style bar end finisher is not suitable for use when a bar end mirror has been removed. A new cup style finisher kit must be used. There are a number of different colour cup style bar end finisher kits available. Refer to the Triumph Accessory Catalogue for details.



1. Bar end finisher, cup style
2. Bar end finisher, flat style

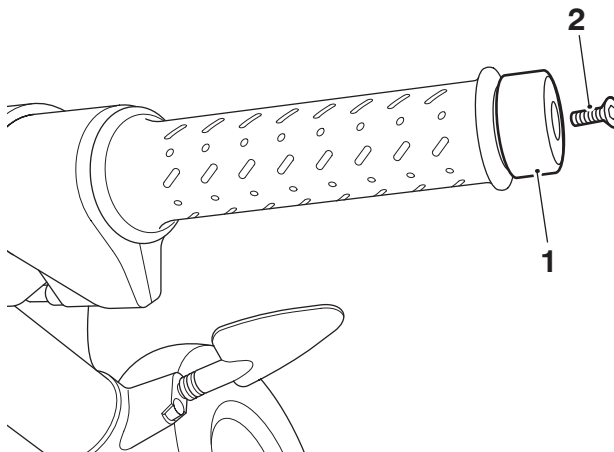
### All Models except Rocket 3 Models

3. Refit the original, or purchased Accessory bar end finisher and retain with the M6 x 20 mm countersunk head screw from the kit. Tighten the screw to **5 Nm**.



1. Mirror
2. Friction ring
3. Screw, M6 cap head

4. If only one accessory bar end mirror is fitted, fit a new cup style bar end finisher onto the side of the handlebar without a bar end mirror. Retain with the M6 x 20 mm countersunk head screw from the bar end finisher kit. Tighten the screw to **5 Nm**.



1. Bar end finisher
2. Screw, M6 x 20 mm

### Rocket 3 Models Only

5. Refit the original bar end finisher and retain with the M6 x 25 mm countersunk head screw from the kit. Tighten the screw to **5 Nm**.

### All Models

6. Carefully check that the twist grip rotates smoothly through its full range of movement, and is not restricted in any way. If any tightness or resistance is felt, check and rectify the cause before riding the motorcycle.
7. Fully engage both the clutch and brake levers and check that the levers do not contact the bar end mirrors. If the operation of the clutch or brake levers is restricted in any way by contact with the bar end mirrors, rectify the cause before riding the motorcycle.

### ⚠ WARNING

Levers that contact the bar end mirrors will restrict clutch engagement and braking force, which may result in loss of motorcycle control which could result in serious injury or death.

**⚠ WARNING**

After fitting the accessory kit the motorcycle will exhibit new handling characteristics.

Operate the motorcycle in a safe area free from traffic to gain familiarity with any new characteristics.

Operation of the motorcycle when not familiar with any new handling characteristics may lead to loss of motorcycle control which could result in serious injury or death.

**⚠ WARNING**

If, after fitting this accessory kit, you have any doubt about the performance of any aspect of the motorcycle, contact a competent person with the specialist knowledge and technical understanding of motorcycles, such as an authorised Triumph dealer.

Riding a motorcycle when there is any doubt as to any aspect of the performance of the motorcycle may lead to loss of motorcycle control which could result in serious injury or death.

**⚠ WARNING**

Never ride an accessory-equipped motorcycle at speeds above 80 mph (130 km/h).

Remember that the 80 mph (130 km/h) limit will be reduced by the fitting of non-approved accessories, incorrect loading, worn tyres, overall motorcycle condition and poor road or weather conditions.

The presence of accessories will cause changes in the stability and handling of the motorcycle. Failure to allow for changes in motorcycle stability may lead to loss of motorcycle control which could result in serious injury or death.

**⚠ WARNING**

High-speed operation should only be attempted by riders who have been instructed in the techniques necessary for high-speed riding and are familiar with the motorcycle's characteristics in all conditions.

Only operate this Triumph motorcycle at high speed in closed-course, on-road competition or on closed-course racetracks.

High-speed operation in any other circumstances is dangerous and may lead to loss of motorcycle control which could result in serious injury or death.

**NOTICE**

The motorcycle must not be operated above the legal road speed limit except in closed-course conditions.