



Accessory Fitting Instructions

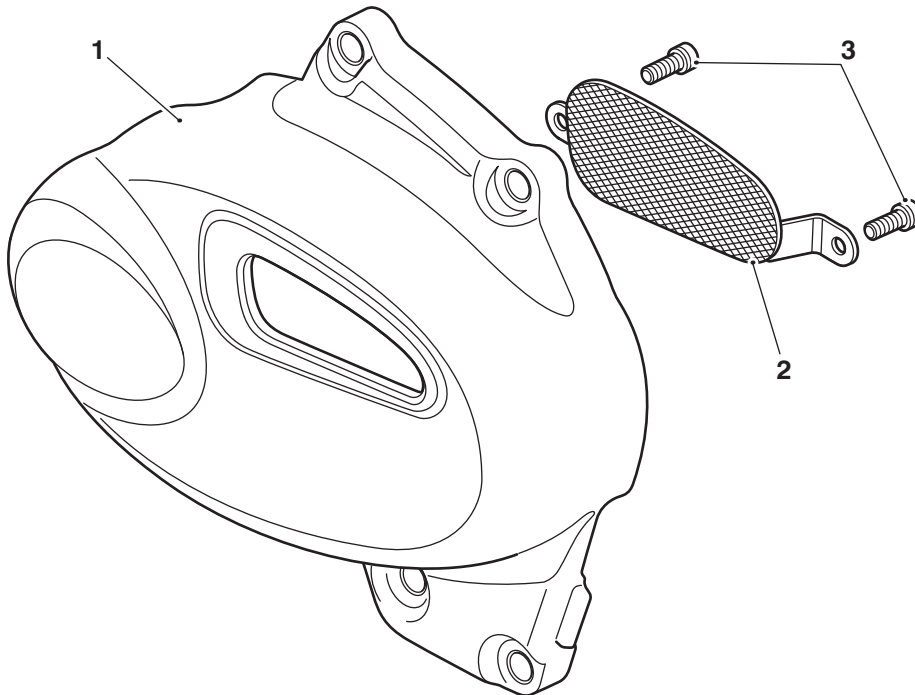
Sprocket Cover Kit, Brushed	
Kit number	Models Affected
A9618192	Street Cup, Street Scrambler, Street Twin, Bonneville T100 from VIN 759204, Bonneville T120
Sprocket Cover Kit, Chrome	
Kit number	Models Affected
A9618193	Street Cup, Street Scrambler, Street Twin, Bonneville T100 from VIN 759204, Bonneville T120
Sprocket Cover Kit, Black	
Kit number	Models Affected
A9618214	Street Cup, Street Scrambler, Street Twin, Bonneville T100 from VIN 759204, Bonneville T120

Thank you for choosing this Triumph genuine accessory kit. This accessory kit is the product of Triumph's use of proven engineering, exhaustive testing, and continuous striving for superior reliability, safety and performance.

Completely read all of these instructions before commencing the installation of the accessory kit in order to become thoroughly familiar with the kit's features and the installation process.

These instructions should be considered a permanent part of your accessory kit, and should remain with it even if your accessory equipped motorcycle is subsequently sold.

Parts supplied



1. Sprocket cover	1 off	3. Screw, M5 x 10 mm	2 off
2. Mesh finisher	1 off		

! Warning

The accessory kits covered in this instruction are designed for use on specific models of Triumph motorcycle. The accessory kits and the models applicable are listed at the start of the instruction. They should not be fitted to any other Triumph model or to any other manufacturer's motorcycle. Fitting an accessory kit to a Triumph model not listed, or to any other manufacturer's motorcycle will affect the performance, stability and handling of the motorcycle. This may affect the rider's ability to control the motorcycle and could cause an accident.

! Warning

Always have Triumph approved parts, accessories and conversions fitted by a trained technician of an authorised Triumph dealer. The fitment of parts, accessories and conversions by a technician who is not of an authorised Triumph dealer may affect the handling, stability or other aspects of the motorcycle's operation which may result in loss of motorcycle control and an accident.

! Warning

Throughout this operation, ensure that the motorcycle is stabilised and adequately supported to prevent risk of injury from the motorcycle falling.

! Warning

A torque wrench of known accurate calibration must be used when fitting this accessory kit. Failure to tighten any of the fasteners to the correct torque specification may affect motorcycle performance, handling and stability. This may result in loss of motorcycle control and an accident.

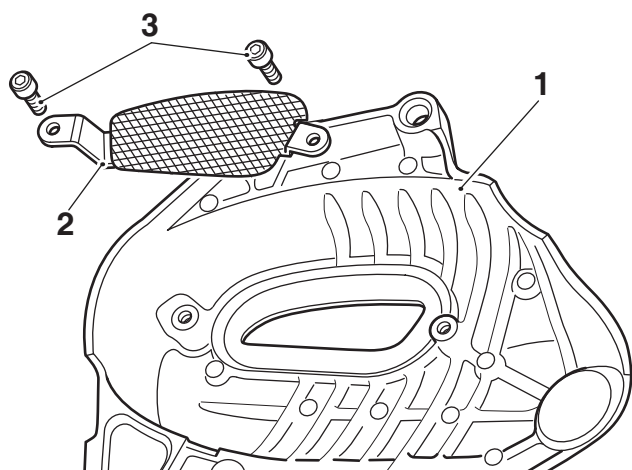
! Warning

If the engine has recently been running, the exhaust system will be hot. Before working on or near the exhaust system, allow sufficient time for the system to cool, as touching any part of a hot exhaust could cause burn injuries.

Note:

- Triumph offers a broad range of approved genuine accessories for your motorcycle. We cannot therefore cover all possible equipment variations in these instructions. For removal and installation of Triumph Genuine Accessories, always refer to the instructions supplied with the respective accessory kit. To obtain additional copies of any Triumph accessory instructions, visit www.triumphinstructions.com or contact your authorised Triumph dealer.

1. Remove the original sprocket cover, as described in the Service Manual. Retain the sprocket cover for reuse if the motorcycle is returned to its original condition. Retain the fixings for reuse.
2. Collect the sprocket cover, mesh finisher and M5 x 10 mm screws from the kit. Fit the mesh finisher to the inside of the sprocket cover and retain with the two M5 x 10 mm screws. Tighten the screws to **4 Nm**.



1. Sprocket cover
2. Mesh finisher
3. Screws, M5 x 10 mm

3. Fitting the accessory sprocket cover is the same as that for the original sprocket cover. Using the original fixings, fit the sprocket cover to the motorcycle following the procedure described in the Service Manual.

Warning

If, after fitting this accessory kit, you have any doubt about the performance of any aspect of the motorcycle, contact an authorised Triumph dealer and do not ride the motorcycle until the authorised dealer has declared it fit for use. Riding a motorcycle when there is any doubt as to any aspect of the performance of the motorcycle may result in loss of control of the motorcycle leading to an accident.

Warning

Never ride an accessory-equipped motorcycle at speeds above 80 mph (130 km/h).

The presence of accessories will cause changes in the stability and handling of the motorcycle. Failure to allow for changes in motorcycle stability may lead to loss of control or an accident.

Remember that the 80 mph (130 km/h) limit will be reduced by the fitting of non-approved accessories, incorrect loading, worn tyres, overall motorcycle condition and poor road or weather conditions.

Warning

The motorcycle must not be operated above the legal road speed limit except in closed-course conditions.

Warning

Only operate this Triumph motorcycle at high speed in closed-course, on-road competition or on closed-course racetracks. High-speed operation should only be attempted by riders who have been instructed in the techniques necessary for high-speed riding and are familiar with the motorcycle's characteristics in all conditions.

High-speed operation in any other circumstances is dangerous and will lead to loss of motorcycle control and an accident.