



## Accessory Fitting Instructions

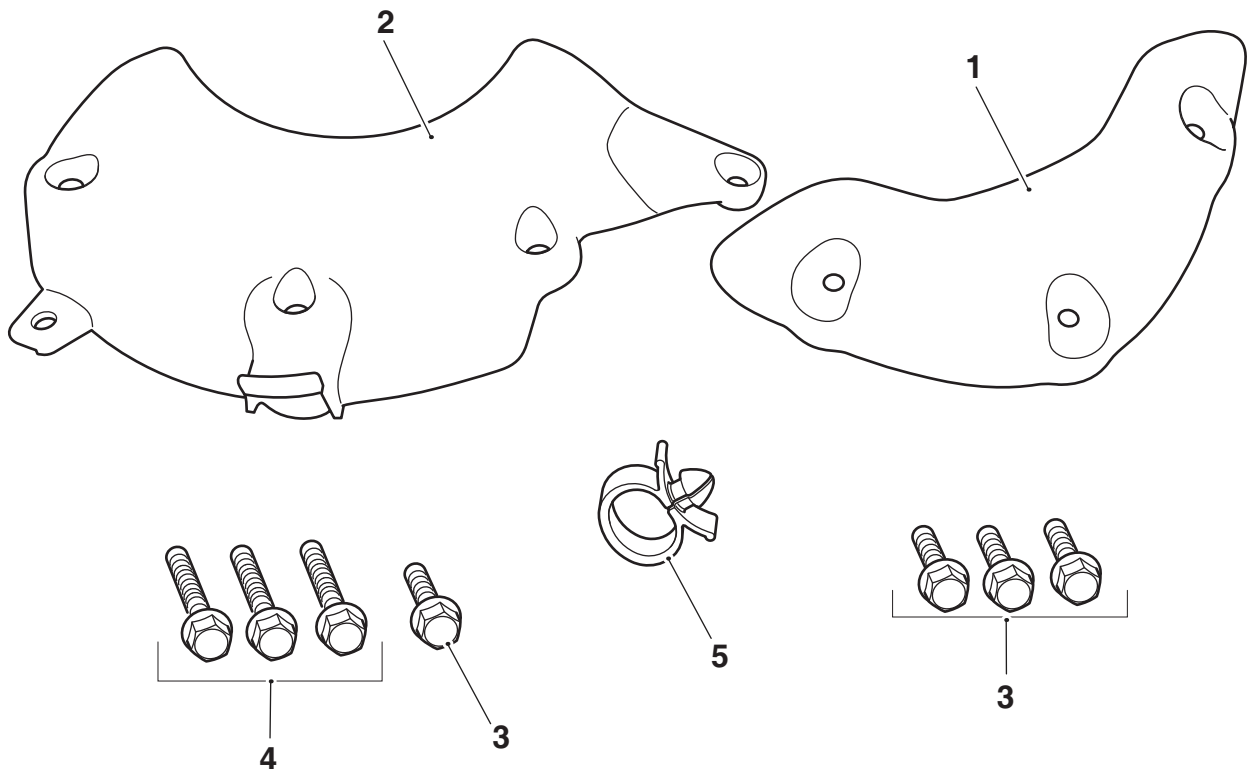
Engine Protector Kit	
Kit number	Models Affected
A9618149	Street Twin, Speed Twin 900, Street Cup, Street Scrambler, Scrambler 900, Speed Twin, Bonneville T100 from VIN 759204, Bonneville T120, Bonneville T120 Black, Thruxton 1200, Thruxton 1200 R, Thruxton RS, Thruxton TFC

Thank you for choosing this Triumph genuine accessory kit. This accessory kit is the product of Triumph's use of proven engineering, exhaustive testing, and continuous striving for superior reliability, safety and performance.

Completely read all of these instructions before commencing the installation of the accessory kit in order to become thoroughly familiar with the kit's features and the installation process.

These instructions should be considered a permanent part of your accessory kit, and should remain with it even if your accessory equipped motorcycle is subsequently sold.

### Parts supplied



1. Engine protector, right hand	1 off	4. Screw, M6 x 50 mm	3 off
2. Engine protector, left hand	1 off	5. Plastic retaining clip	1 off
3. Screw, M6 x 40 mm	4 off		

## Warning

Fit only genuine Triumph accessories to those models approved by Triumph as listed in the associated Triumph fitting instructions. The accessory kits covered in this instruction are designed for use on specific models of Triumph motorcycle. The accessory kits and the models applicable are listed at the start of the instruction. They should never be fitted to any other Triumph model or to any other manufacturer's motorcycle. Fitting an accessory kit to a Triumph model not listed, or to any other manufacturer's motorcycle will affect the performance, stability and handling of the motorcycle. This may affect the rider's ability to control the motorcycle and could result in an accident causing severe injuries or death.

## Warning

Always have Triumph approved parts, accessories and conversions fitted by a trained technician of an authorised Triumph dealer. The fitment of parts, accessories and conversions by a technician who is not of an authorised Triumph dealer may affect the handling, stability or other aspects of the motorcycle's operation which may result in loss of motorcycle control and an accident.

## Warning

Throughout this operation, ensure that the motorcycle is stabilised and adequately supported to prevent risk of injury from the motorcycle falling.

## Warning

A torque wrench of known accurate calibration must be used when fitting this accessory kit. Failure to tighten any of the fasteners to the correct torque specification may affect motorcycle performance, handling and stability. This may result in loss of motorcycle control and an accident.

## Warning

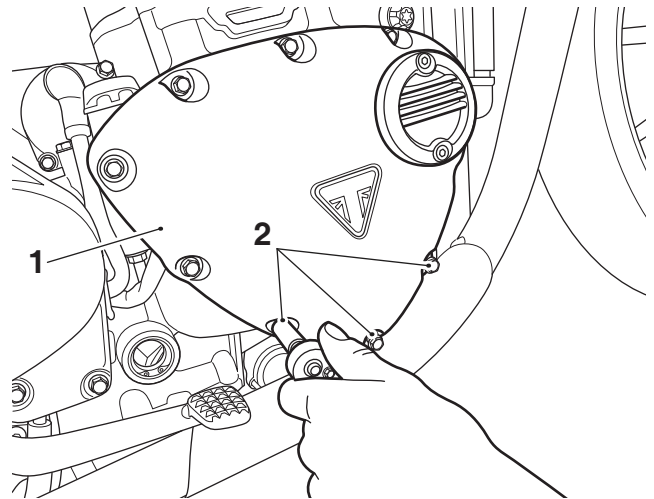
If the engine has recently been running, the exhaust system will be hot. Before working on or near the exhaust system, allow sufficient time for the system to cool, as touching any part of a hot exhaust could cause burn injuries.

### Note:

- Triumph offers a broad range of approved genuine accessories for your motorcycle. We cannot therefore cover all possible equipment variations in these instructions. For removal and installation of Triumph Genuine Accessories, always refer to the instructions supplied with the respective accessory kit. To obtain additional copies of any Triumph accessory instructions, visit [www.triumphinstructions.com](http://www.triumphinstructions.com) or contact your authorised Triumph dealer.

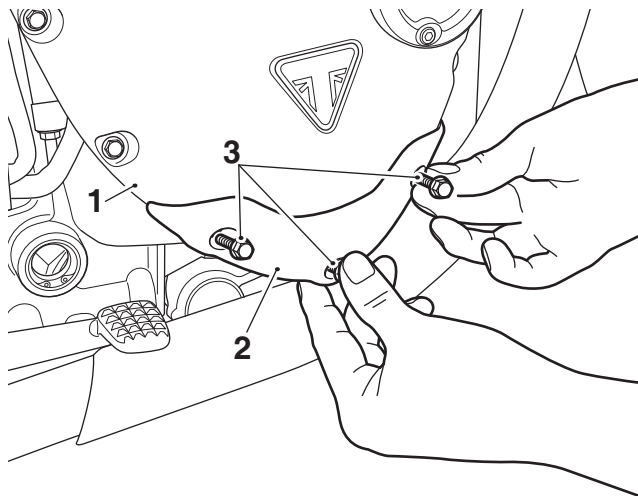
### Right Hand Engine Protector Installation

- Remove the three lower fixings from the alternator cover. Retain the fixings for reuse if the motorcycle is to be returned to its original condition.



- Alternator cover
- Lower fixings

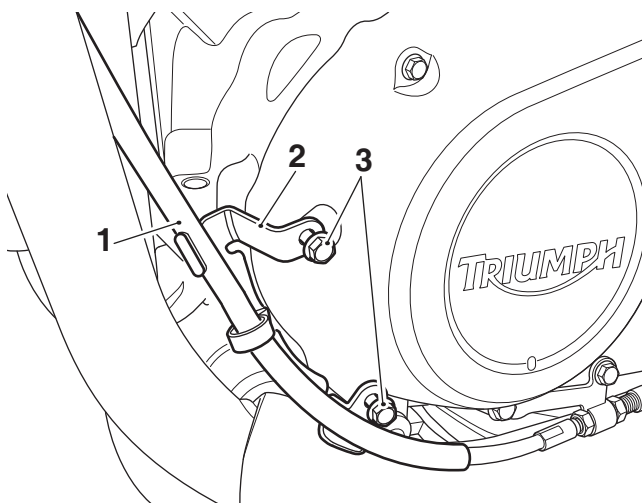
- Fit the right hand engine protector into position on the alternator cover, as shown. Secure with three new M6 x 40 mm screws from the kit. Tighten the screws to **10 Nm**.



- Alternator cover
- Engine protector, right hand
- Screw, M6 x 40 mm

#### Left Hand Engine Protector Installation

- Remove the front clutch cable support bracket fixings. Retain the fixings for reuse if the motorcycle is to be returned to its original condition.



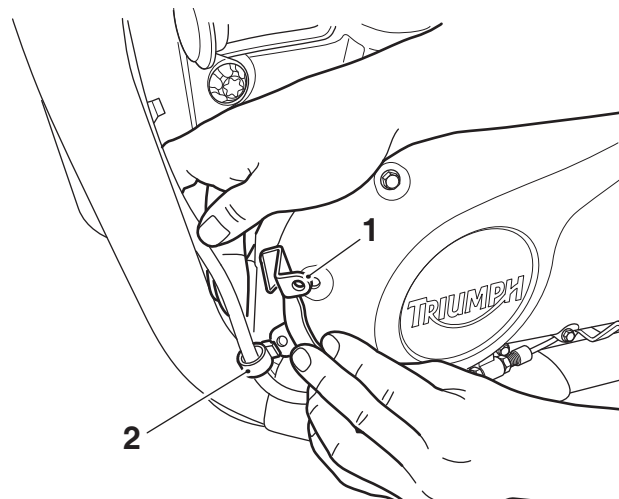
- Clutch cable
- Clutch cable support bracket
- Fixings

- Street Twin, Speed Twin 900, Street Cup, Bonneville and Thruxton Models Only**

Detach the plastic clutch cable retaining clip from the support bracket, leave the clip attached to the clutch cable.

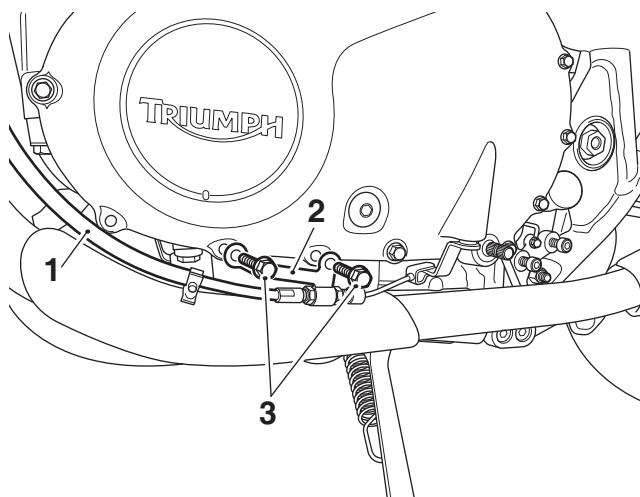
#### All Models

Remove the support bracket. Retain the support bracket for reuse if the motorcycle is to be returned to its original condition.



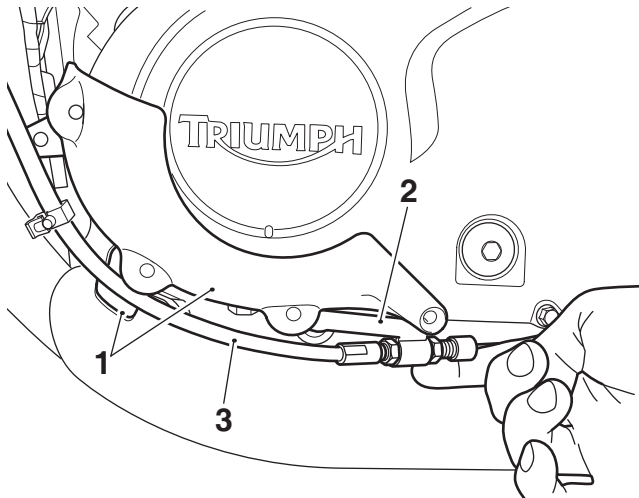
- Clutch cable support bracket
- Plastic retaining clip

- Remove the two bottom clutch cover fixings which also retain the lower clutch cable bracket, as shown. Do not remove the lower clutch cable bracket from the cable. Retain the fixings for reuse if the motorcycle is to be returned to its original condition.



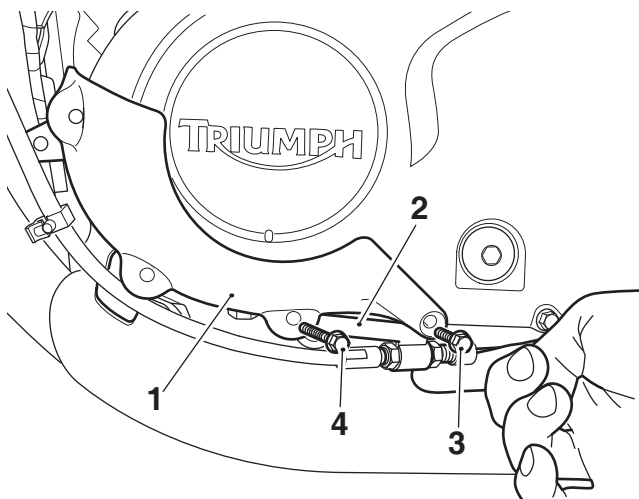
- Clutch cable
- Lower clutch cable bracket
- Fixings

- Fit the left hand engine protector into position on the clutch cover, ensure the lower clutch cable bracket is located behind the engine protector and the clutch cable is routed over the protector, as shown.



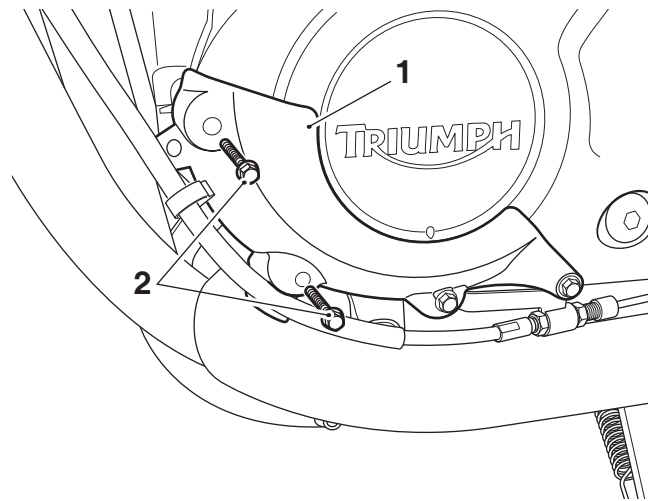
- Engine protector
- Clutch cable bracket
- Clutch cable

- Align the two rear fixing points of the engine protector with the lower clutch cable bracket. Fit an M6 x 40 mm screw from the kit to the rear most fixing point and an M6 x 50 mm screw at the second position to secure the engine cover and lower clutch cable bracket, Do not fully tighten the screws at this point.



- Engine protector
- Lower clutch cable bracket
- Screw, M6 x 40 mm
- Screw, M6 x 50 mm

- Fit M6 x 50 mm screws from the kit to the two front fixing points of the engine protector, as shown.



- Engine protector
- Screw, M6 x 50 mm

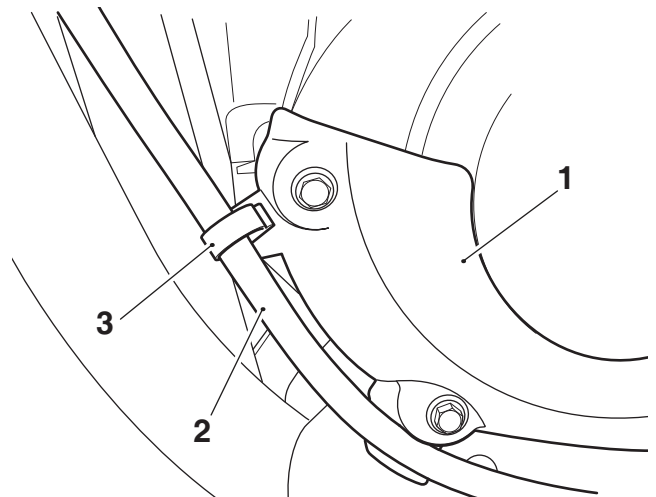
- Tighten all screws to 10 Nm.

- Street Scrambler and Scrambler 900 Models Only**

Fit the plastic retaining clip from the kit to the clutch cable. Secure the plastic clutch cable retaining clip into the engine protector.

- Street Twin, Speed Twin 900, Street Cup, Bonneville and Thruxton Models**

Secure the plastic clutch cable retaining clip into the engine protector.



- Engine protector
- Clutch cable
- Plastic retaining clip



### Warning

After fitting the accessory kit the motorcycle will exhibit new handling characteristics. Operate the motorcycle in a safe area free from traffic to gain familiarity with any new characteristics. Operation of the motorcycle when not familiar with any new handling characteristics may result in loss of motorcycle control and an accident.



### Warning

If, after fitting this accessory kit, you have any doubt about the performance of any aspect of the motorcycle, contact an authorised Triumph dealer and do not ride the motorcycle until the authorised dealer has declared it fit for use. Riding a motorcycle when there is any doubt as to any aspect of the performance of the motorcycle may result in loss of motorcycle control and an accident.



### Warning

The motorcycle must not be operated above the legal road speed limit except in closed-course conditions.



### Warning

Only operate this Triumph motorcycle at high speed in closed-course, on-road competition or on closed-course racetracks. High-speed operation should only be attempted by riders who have been instructed in the techniques necessary for high speed riding and are familiar with the motorcycle's characteristics in all conditions.

High-speed operation in any other circumstances is dangerous and may result in loss of motorcycle control and an accident.