

English

Fitting Instructions:

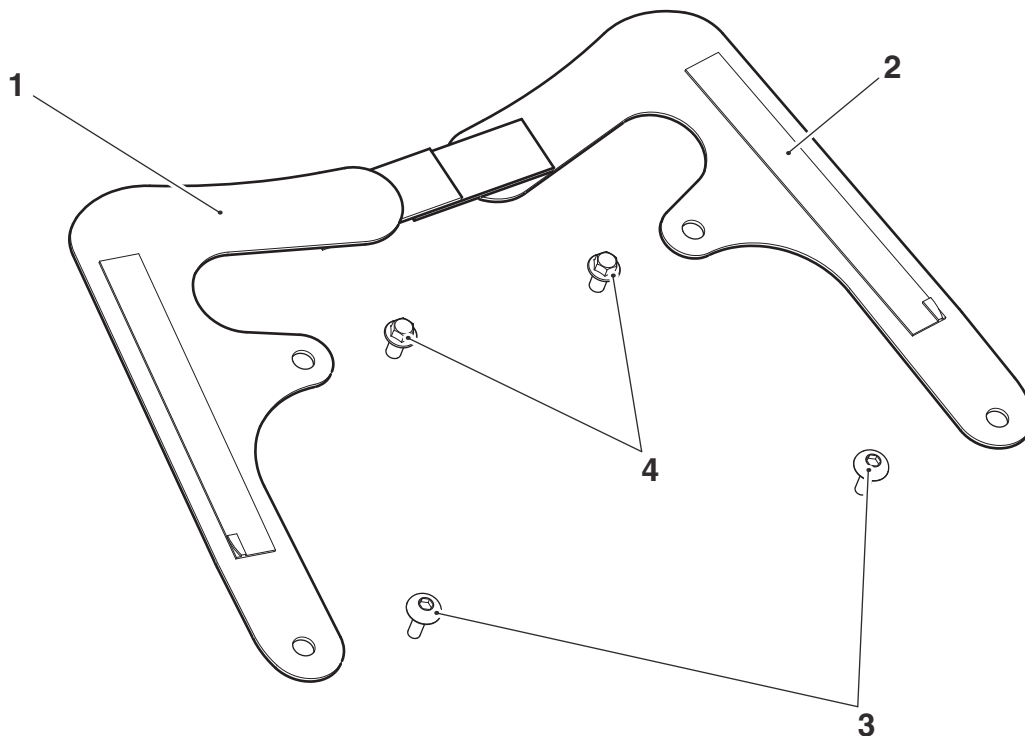
Street Triple up to VIN 560476 and Street Triple R up to VIN 560476 A9518084 with A9510106

Thank you for choosing this Triumph genuine accessory kit. This accessory kit is the product of Triumph's use of proven engineering, exhaustive testing, and continuous striving for superior reliability, safety and performance.

Completely read all of these instructions before commencing the installation of the accessory kit in order to become thoroughly familiar with the kit's features and the installation process.

These instructions should be considered a permanent part of your accessory kit, and should remain with it even if your accessory-equipped motorcycle is subsequently sold.

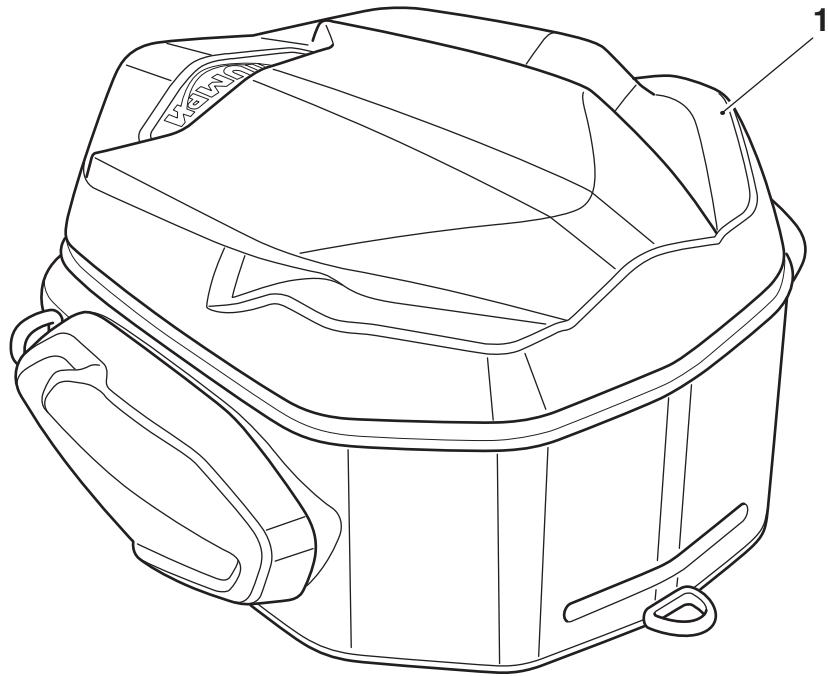
A9518084



Parts Supplied:

1. Harness (left hand)	1 off	3. Screw, BUT/HD, M5 x 16 mm	2 off
2. Harness (right hand)	1 off	4. Bolt, HHF, M6 x 12 mm	2 off

A9510106



T1212a

Parts Supplied:

1. Tail pack, 10 - 15 litre	1 off		
-----------------------------	-------	--	--



Warning

This accessory kit is designed for use on Triumph Street Triple up to VIN 560476 and Street Triple R up to VIN 560476 motorcycles only and should not be fitted to any other Triumph model or to any other manufacturer's motorcycle. Fitting this accessory kit to any other Triumph model or to any other manufacturer's motorcycle, may interfere with the rider and could affect the stability and handling of the motorcycle leading to loss of control and an accident.



Warning

Always have Triumph approved parts, accessories and conversions fitted by a trained technician of an authorised Triumph dealer. The fitment of parts, accessories and conversions by a technician who is not of an authorised Triumph dealer may affect the handling, stability or other aspects of the motorcycle's operation which may result in loss of motorcycle control and an accident.



Warning

Throughout this operation, ensure that the motorcycle is stabilised and adequately supported to prevent risk of injury from the motorcycle falling.



Warning

Install the tail pack only in the positions described below. Installation of the tail pack in any other position on the motorcycle will affect the handling, stability or other aspects of the motorcycle's operation which may result in loss of motorcycle control and an accident.



Warning

Remove the shoulder strap(s) from the tail pack before mounting to the motorcycle.

Operation of the motorcycle with the shoulder strap(s) fitted may result in loss of motorcycle control and an accident.

Note:

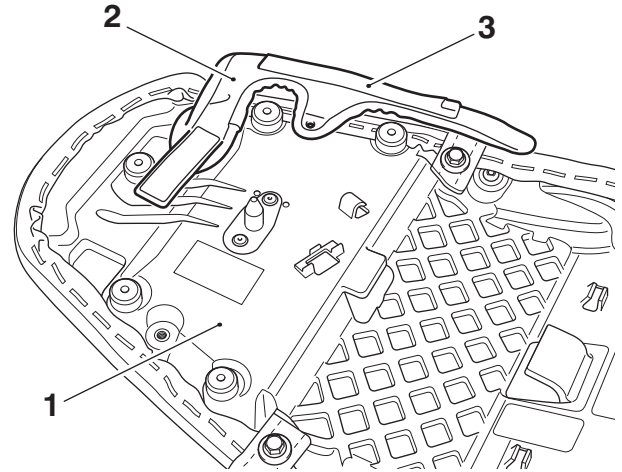
- **When using the tail pack, always pack heavier items at the bottom of the bag.**
- **Ensure the underside of the tail pack is clean and dry prior to fitting.**

Installing the Tail Pack Harness Kit A9518084

1. Place the motorcycle on a paddock stand.
2. Remove the seat, as described in the Owner's Handbook.

Note:

- **When fitting the left hand and right hand harnesses, ensure the zip is visible when viewed from the underside of the seat, as shown below.**



1. Seat, underside
2. Harness (right hand shown)
3. Zip

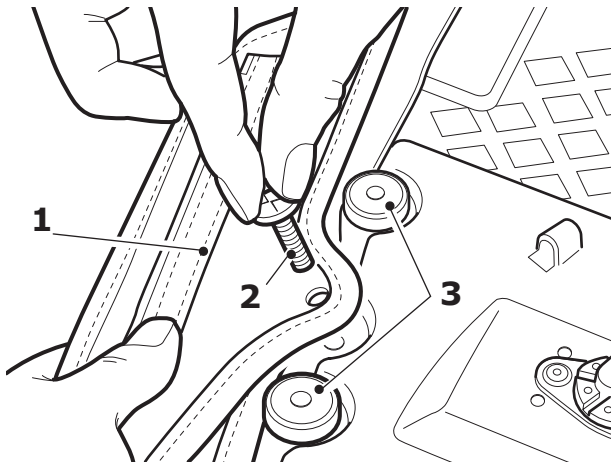


Warning

Do not remove the seat strap. The seat strap is required for the safe carriage of a passenger. A passenger who is not able to hold on to a seat strap will be unable to sit securely on the motorcycle and may cause instability leading to loss of control and an accident.

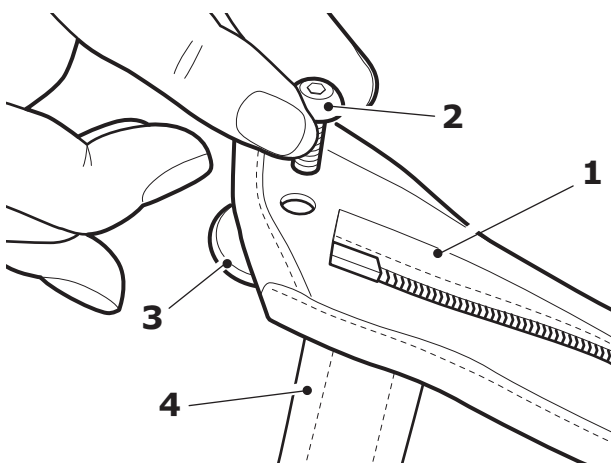
Right hand side

3. Position the right hand harness on the underside of the seat as shown and retain with an M6 x 12 mm bolt. Ensure the harness is around, not over, the rubber seat grommets.



1. Harness (right hand side shown)
2. Bolt M6 x 12 mm
3. Rubber grommet

4. Do not fully tighten the screw at this stage.
5. Fold the harness around the seat and over the seat strap, as shown below. Retain with a new M5 x 16 mm screw to the mounting boss forward of the seat strap.



1. Harness (right hand side shown)
2. Screw, M5 x 16 mm
3. Mounting boss
4. Seat strap

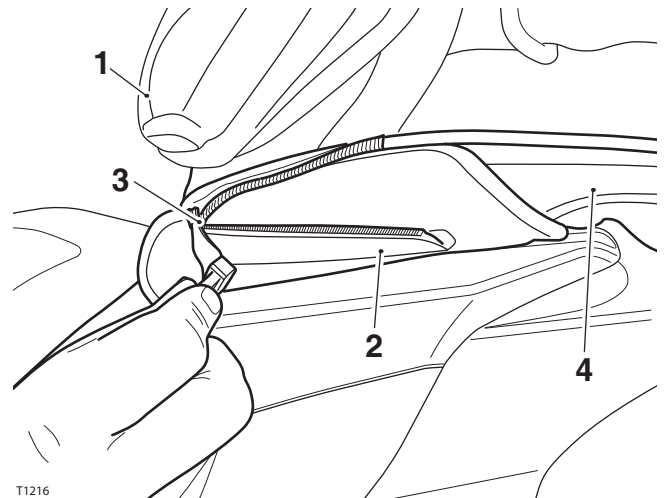
6. Tighten both screws to **3 Nm**.

Left hand side

7. Repeat steps three to six for the left hand side.
8. Refit the seat, as described in the Owner's Handbook.
9. Adjust the rear strap as necessary.

Installing the Tail Pack A9510106

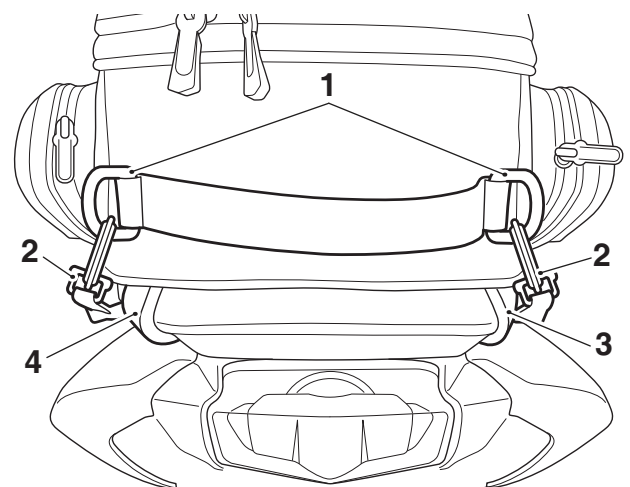
1. Position the tail pack on the seat and retain to the harness with the two zips.



T1216

1. Tail pack
2. Harness (left hand shown)
3. Zip
4. Motorcycle seat

2. Always ensure the quick release fasteners are fastened on to the D-loops, as shown below.

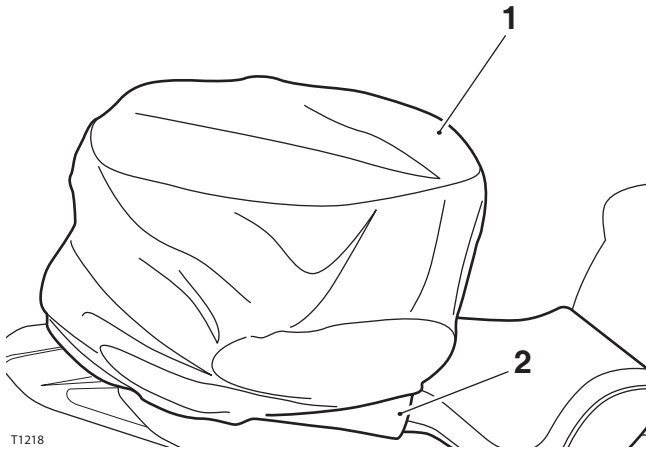


1. D-loop
2. Quick release fastener
3. Harness (right hand)
4. Harness (left hand)

3. Remove the motorcycle from the paddock stand and place on the side stand.

Installing the Rain Cover

4. Position the rain cover over the tail pack, as shown below.



T1218

1. Rain cover
2. Tail pack

Cleaning

Caution

Use of chemicals or high-pressure spray washers is not recommended for cleaning the tail pack. Using chemicals or pressure washers may damage the tail pack.

To help maintain its appearance, clean the tail pack using a sponge or cleaning cloth with low alkaline soap and water.

Warning

The maximum safe load for the tail pack is 3 kg (6.6 lbs). Never exceed this loading limit as this may cause the motorcycle to become unstable leading to loss of control and an accident.

Warning

After fitting the accessory kit the motorcycle will exhibit new handling characteristics. Operate the motorcycle in a safe area free from traffic to gain familiarity with any new characteristics. Operation of the motorcycle when not familiar with any new handling characteristics may result in loss of motorcycle control and an accident.

Warning

Never ride an accessory-equipped motorcycle (including those fitted with Triumph approved windscreens and luggage systems) at speeds above 80 mph (130 km/h).

The presence of accessories such as windscreens and luggage systems will cause changes in the stability and handling of the motorcycle. Failure to allow for changes in motorcycle stability may lead to loss of control or an accident.

Remember that the 80 mph (130 km/h) limit will be reduced by the fitting of non-approved accessories, incorrect loading, worn tyres, overall motorcycle condition and poor road or weather conditions.

Warning

This motorcycle must not be operated above the legal road speed limit except in authorised closed course conditions.

Warning

Only operate this Triumph motorcycle at high speed in closed course, on-road competitions or on closed course racetracks. High speed operation should only be attempted by riders who have been instructed in the techniques necessary for high speed riding and are familiar with the motorcycle's characteristics in all conditions.

High speed operation in any other circumstances is dangerous and will lead to loss of motorcycle control and an accident.