



Accessory Fitting Instructions

Thank you for choosing this Triumph genuine accessory kit. This accessory kit is the product of Triumph's use of proven engineering, exhaustive testing, and continuous striving for superior reliability, safety and performance.

Completely read all of these instructions before commencing the installation of the accessory kit in order to become thoroughly familiar with the kit's features and the installation process.

These instructions should be considered a permanent part of your accessory kit, and should remain with it even if your accessory equipped motorcycle is subsequently sold.

Tail Pack Kit	
Kit Number	Models
A9510469	Rocket 3 R, Rocket 3 GT, Rocket 3 GT Storm, Rocket 3 TFC, Rocket 3 GT Triple Black, Rocket 3 R Black, Rocket 3 R Storm
A9510572	Street Triple S from VIN 967907, Street Triple R from VIN 982752, Street Triple RS from VIN 966534, Street Triple RS Moto2™
A9510553	Daytona 660, Speed Triple 1200 RS, Speed Triple 1200 RR, Trident from VIN AC6898

NOTICE

The Accessory Tail Pack Kit must only be fitted to models which have a passenger seat fitted.

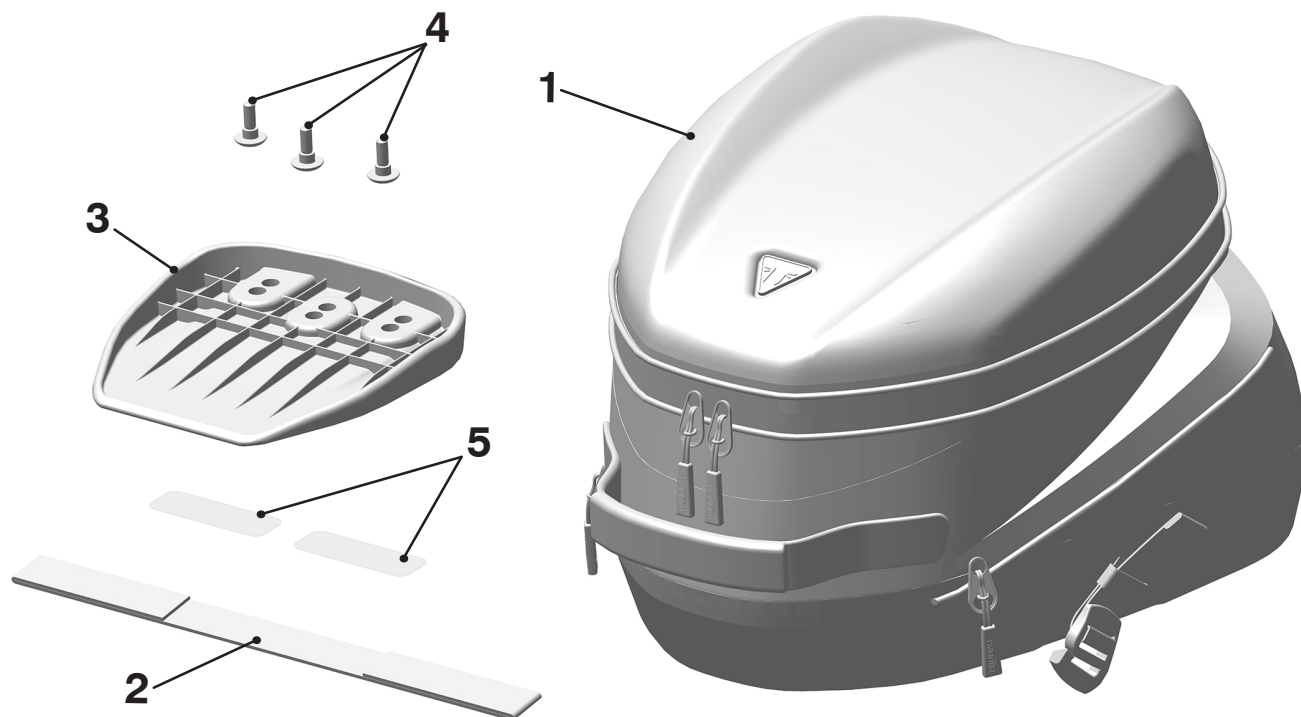
The Accessory Tail Pack Kit cannot be fitted if the passenger seat has been replaced with an Accessory Rider Seat Infill or Seat Cowl.

Parts supplied

A9510469

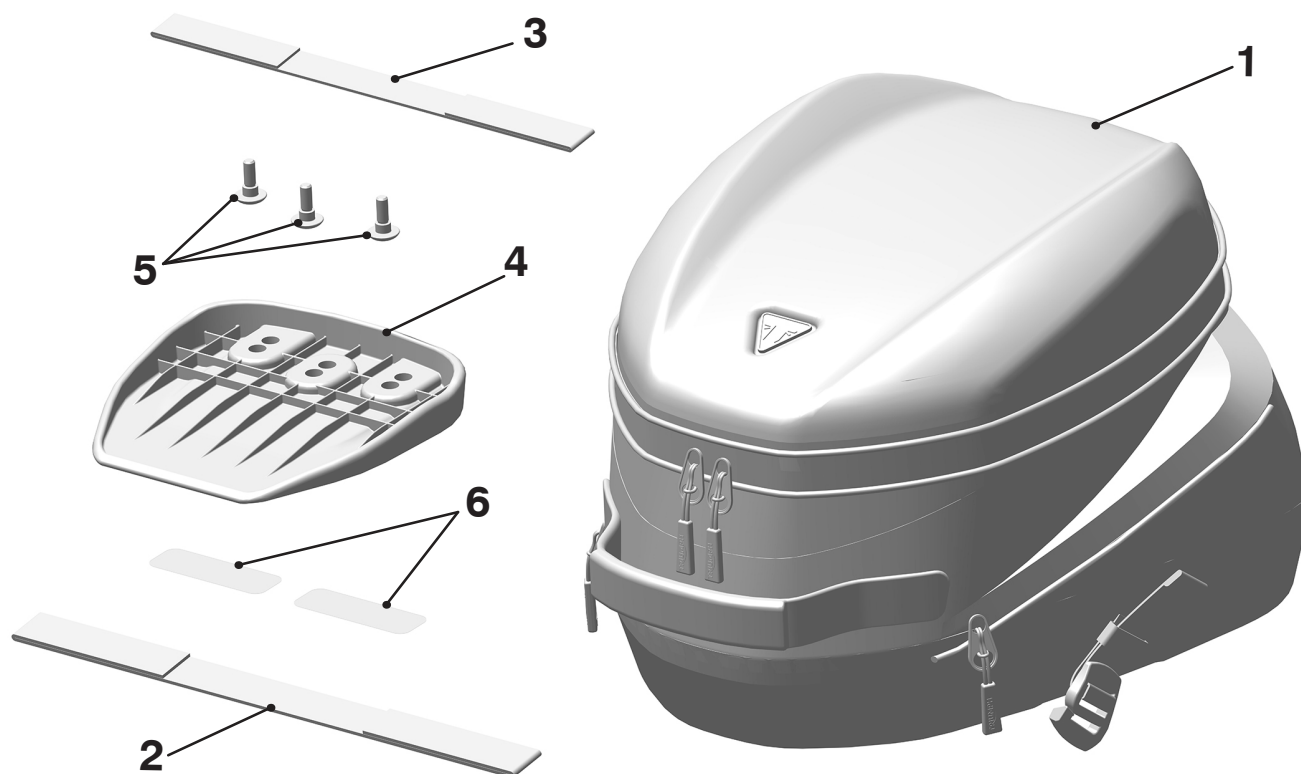


1. Tail Pack	1 off	5. Fixing, M6 x 20 mm	1 off
2. Tail pack harness	1 off	6. Tail pack mounting	1 off
3. Compression limiter	1 off	7. Fixing, M5 x 16 mm	3 off
4. Washer	1 off		



1. Tail Pack	1 off	4. Fixing, M5 x 16 mm	3 off
2. Tail pack harness	1 off	5. Protective film	2 off
3. Tail pack mounting	1 off	6. Cleaning wipe (not shown)	1 off

A9510553



1. Tail Pack	1 off	5. Fixing, M5 x 16 mm	3 off
2. Tail pack harness (longer)	1 off	6. Protective film	2 off
3. Tail pack harness (shorter)	1 off	7. Cleaning wipe (not shown)	1 off
4. Tail pack mounting	1 off		

⚠ WARNING

Fit only genuine Triumph accessories to those models approved by Triumph as listed in the associated Triumph fitting instructions.

The accessory kits covered in this instruction are designed for use on specific models of Triumph motorcycle. The accessory kits and the models applicable are listed at the start of the instruction. They should never be fitted to any other Triumph model or to any other manufacturer's motorcycle.

Fitting an accessory kit to a Triumph model not listed, or to any other manufacturer's motorcycle, will affect the performance, stability and handling of the motorcycle.

Failure to follow the advice above may lead to loss of motorcycle control which could result in serious injury or death.

⚠ WARNING

Always have Triumph approved parts, accessories and conversions fitted by a competent person with the specialist knowledge and technical understanding of motorcycles, such as an authorised Triumph dealer.

The fitment of parts, accessories and conversions by a person without the specialist knowledge and technical understanding of motorcycles may affect the handling, stability or other aspects of the motorcycle's operation.

Failure to follow the advice above may lead to loss of motorcycle control which could result in serious injury or death.

⚠ WARNING

A torque wrench of known accurate calibration must be used when fitting this accessory kit.

Failure to tighten any of the fasteners to the correct torque specification may affect motorcycle performance, handling and stability.

Failure to follow the advice above may lead to loss of motorcycle control which could result in serious injury or death.

⚠ WARNING

Make sure the motorcycle is stabilised and adequately supported.

Do not support the motorcycle on any ancillary component, the exhaust system or any other non structural parts of the motorcycle frame.

A correctly supported motorcycle will help prevent it from falling.

An unstable motorcycle may fall resulting in motorcycle damage, serious injury or death.

NOTICE

Triumph offers a broad range of approved genuine accessories for your motorcycle.

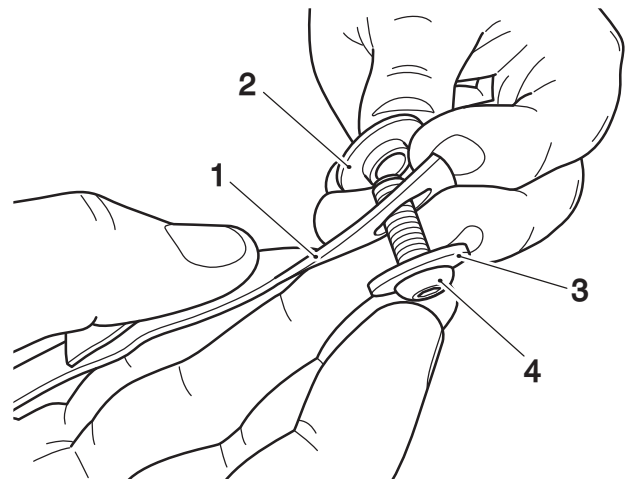
We cannot therefore cover all possible equipment variations in these instructions. For removal and installation of Triumph Genuine Accessories, always refer to the instructions supplied with the respective accessory kit.

To obtain additional copies of any Triumph accessory instructions, visit www.triumphinstructions.com or contact your authorised Triumph dealer.

Installing the Tail Pack Harness

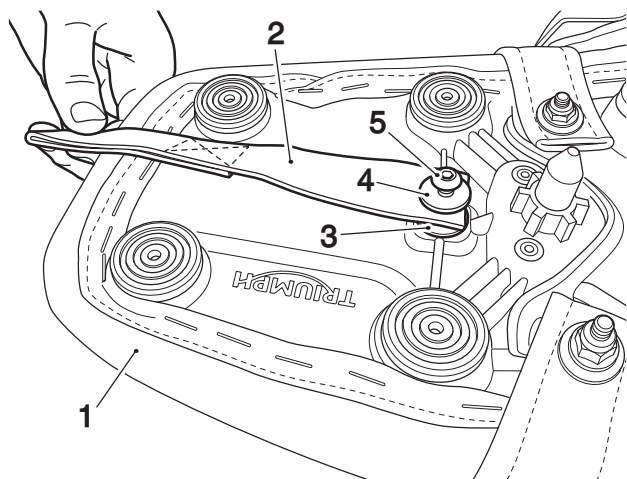
Rocket 3 Models Only

1. Remove the rider and passenger seats, as described in the Service Manual. Place the seats on a clean non-abrasive surface.
2. Collect the tail pack harness, compression limiter, fixing and washer from the kit. Fit the compression limiter, washer and fixing to the tail pack harness as shown below.



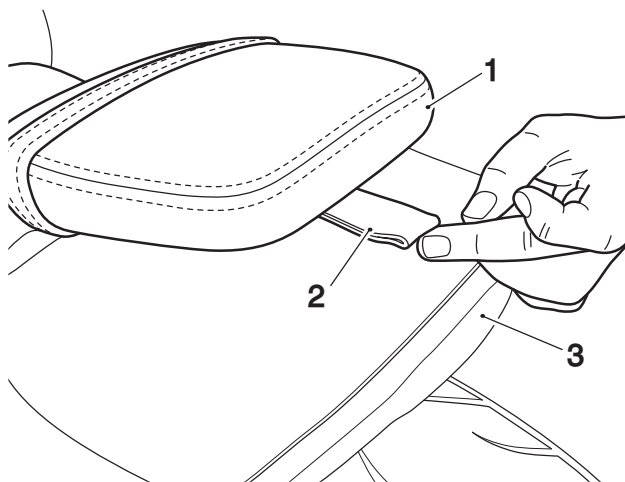
1. Tail pack harness
2. Compression limiter
3. Washer
4. Fixing

- Fit the tail pack harness on to the underside of the passenger seat in the orientation shown. Tighten the tail pack harness fixing to **6 Nm**.



- Passenger seat
- Tail pack harness
- Compression limiter
- Washer
- Fixing

- Refit the rider and passenger seats as described in the Service Manual making sure the tail pack harness is positioned on the rear mudguard as shown.



- Passenger seat
- Tail pack harness
- Rear mudguard

Daytona 660, Street Triple S, Street Triple R, Street Triple RS, Street Triple RS Moto2™, Speed Triple 1200 RS, Speed Triple 1200 RR, Trident from VIN AC6898 Models Only

- Remove the rider and passenger seats, as described in the Service Manual. Place the seats on a clean non-abrasive surface.

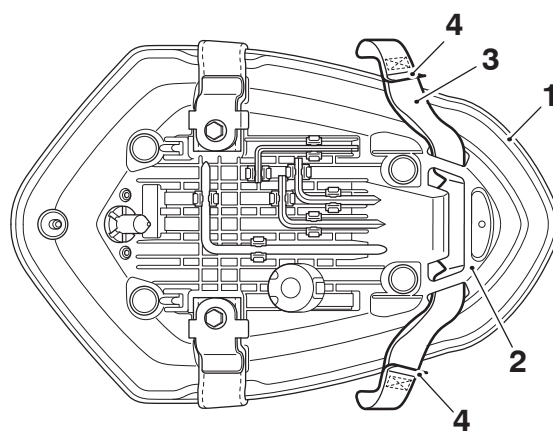
NOTICE

For Daytona 660, Speed Triple 1200 RS and Speed Triple 1200 RR models use the shorter tail pack harness from the kit. This strap has a box stitch on it to aid identification.

For Trident from VIN AC6898 models use the longer tail pack harness from the kit.

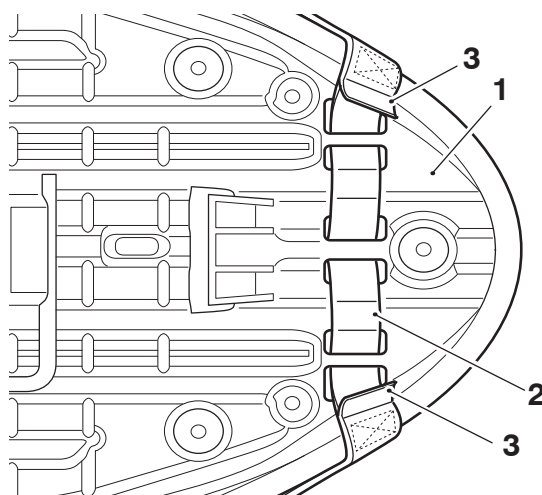
- Place the seat on a clean non-abrasive surface. Fit the tail pack harness through the seat base across the underside of the passenger seat in the orientation shown with the loose ends of the harness positioned away from the seat. Do not refit the seat/passenger seat at this stage.

Street Triple (pictured), Speed Triple 1200 RS, Speed Triple 1200 RR and Daytona 660



- Passenger seat
- Seat base
- Tail pack harness
- Loose ends, tail pack harness (shorter)

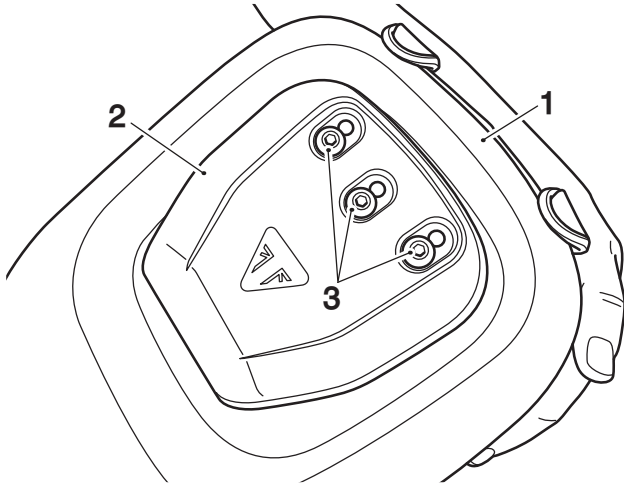
Trident from VIN AC6898



- Seat base
- Tail pack harness
- Loose ends, tail pack harness (longer)

Fitting the Tail Pack Mounting, All Models

- Position the tail pack mounting from the kit on to the base of the tail pack in the orientation shown. Fit the three mounting fixings from the kit through the lower set of fixing holes in the tail pack mounting as shown, tighten the fixings to **6 Nm**.



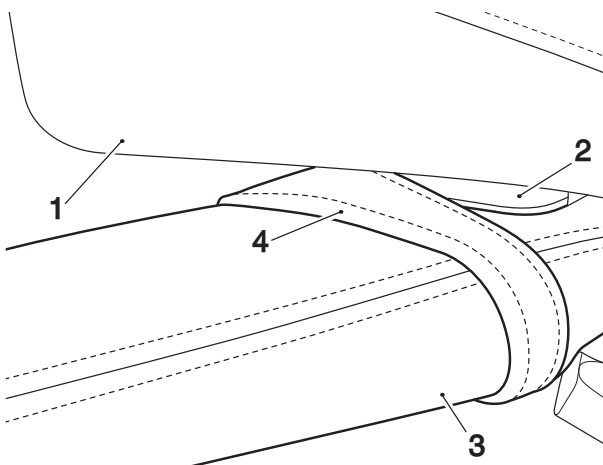
- Tail pack
- Tail pack mounting
- Fixings

Installing the Tail Pack

NOTICE

Make sure the underside of the tail pack is clean and dry prior to fitting.

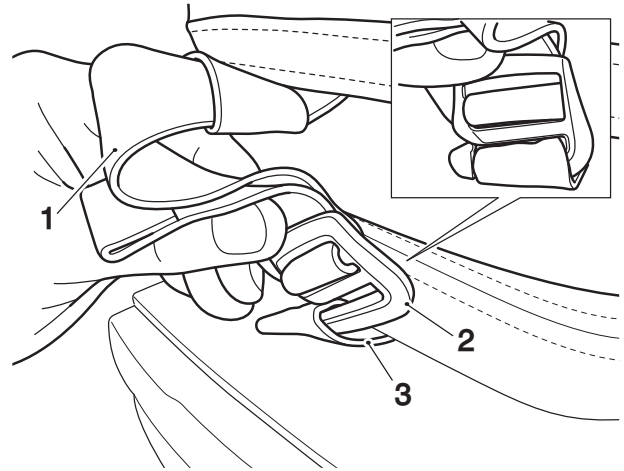
- Place the tail pack on the passenger seat and slide the tail pack towards the rear of the motorcycle making sure the tail pack mounting is located under the seat strap as shown.



- Tail pack
- Tail pack mounting
- Passenger seat
- Seat strap

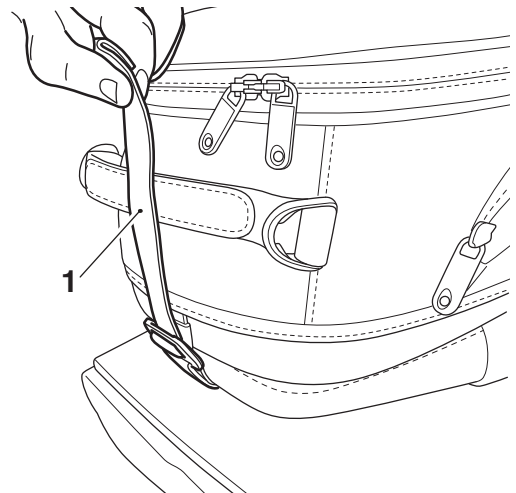
Rocket 3 Models Only

- Fit the G-clip on the tail pack retaining strap into the loop of the tail pack harness making sure it locates fully as shown.



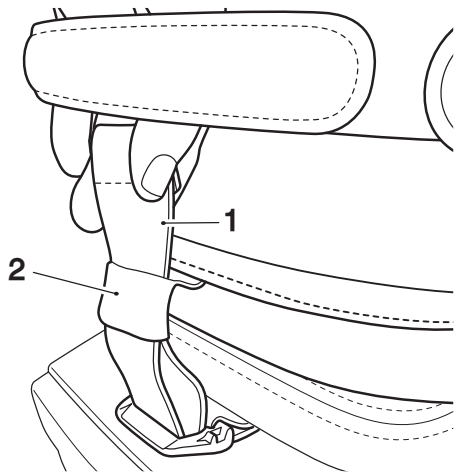
- Tail pack retaining strap
- G-clip
- Loop, tail pack harness

- Pull the tail pack retaining strap tight to secure the tail pack to the seat.



- Tail pack retaining strap

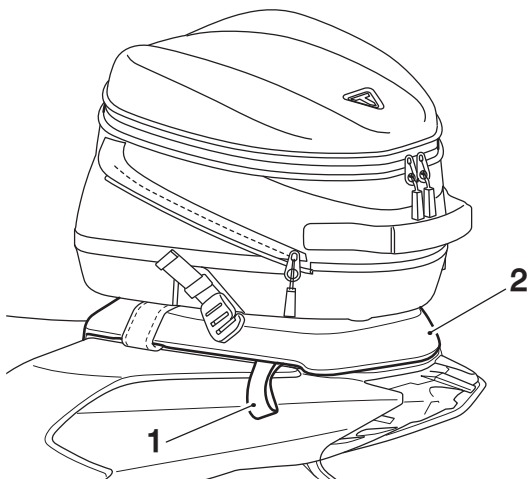
4. Feed any excess tail pack retaining strap back through the loop on the retaining strap, as shown.



1. Tail pack retaining strap
2. Loop

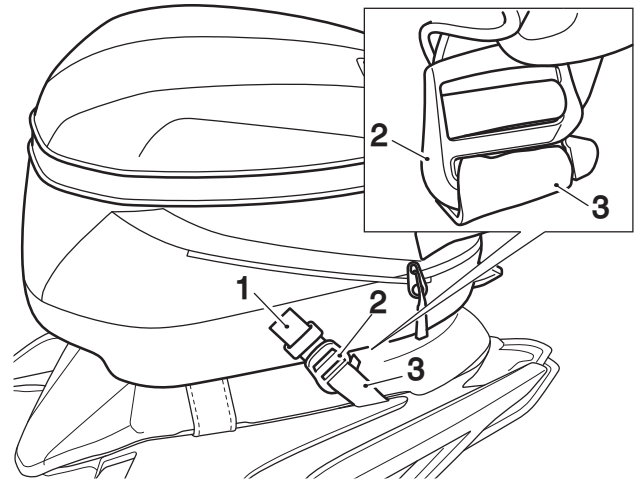
Daytona 660, Street Triple, Speed Triple 1200 RS, Speed Triple 1200 RR, Trident from VIN AC6898 Models Only

5. Make sure the rear body panels on the left hand and right hand side of the motorcycle are clean and dry.
6. Refit the seat/passenger seat as described in the Service Manual making sure the tail pack harness is positioned outside the seat on the left hand and right hand side of the motorcycle. Note, Street Triple model shown, without rear light.



1. Tail pack harness, left hand side shown
2. Passenger seat

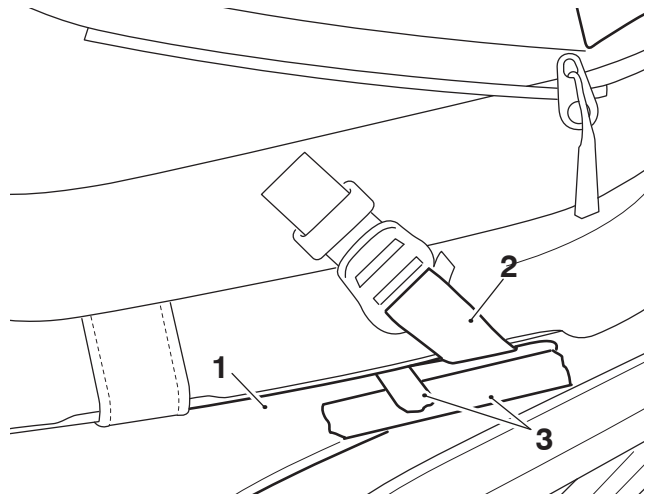
7. Fit the G-clips on the left hand side and right hand side tail pack retaining straps into the loops of the tail pack harness making sure they locate fully as shown.



1. Tail pack retaining strap, left hand side shown
2. G-clip
3. Loop, tail pack harness

Daytona 660, Street Triple, Speed Triple 1200 RS, Speed Triple 1200 RR Models Only

8. Using masking tape mark the position of the tail pack harness on the left hand and right hand rear body panels.



1. Rear body panel, left hand side shown
2. Tail pack harness
3. Masking tape

9. Leaving the tail pack attached, remove the passenger seat as described in the Service Manual.

NOTICE

Make sure that you position self-adhesive parts correctly and accurately.

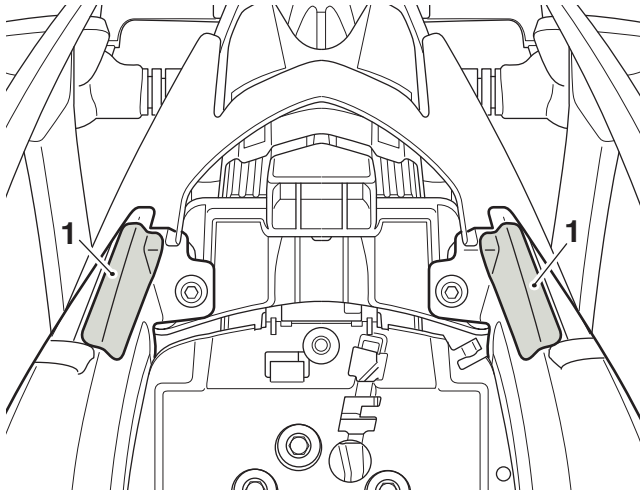
When the adhesive has been attached, you cannot remove and reposition the part.

The adhesive will bond immediately, and reach full strength after 72 hours.

NOTICE

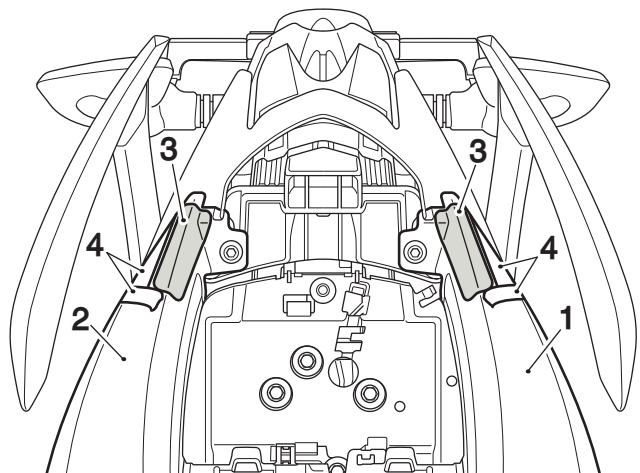
Read the warning notices printed on the cleaning wipe packet in the fitting kit

- Using the cleaning wipe from the kit clean the areas on the left hand and right hand body panels shown below.



1. Cleaning areas

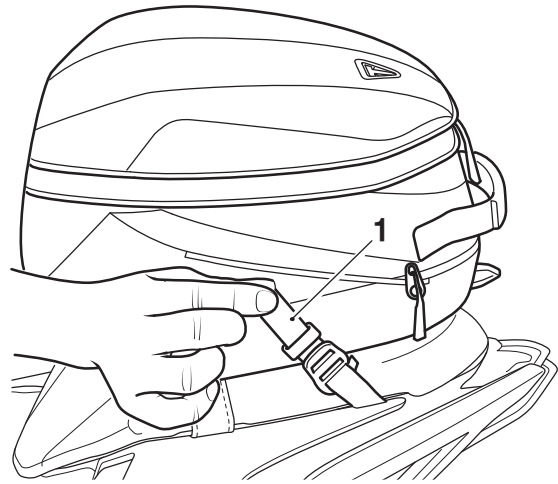
- Collect the protective films from the kit.
- Peel back the backing strip from one of the protective films. Align the protective film with the masking tape on the left hand side rear body panel and press the protective film firmly onto the rear body panel. Repeat for the right hand side. Remove the masking tape.



- Rear body panel, left hand
- Rear body panel, right hand
- Protective film
- Masking tape

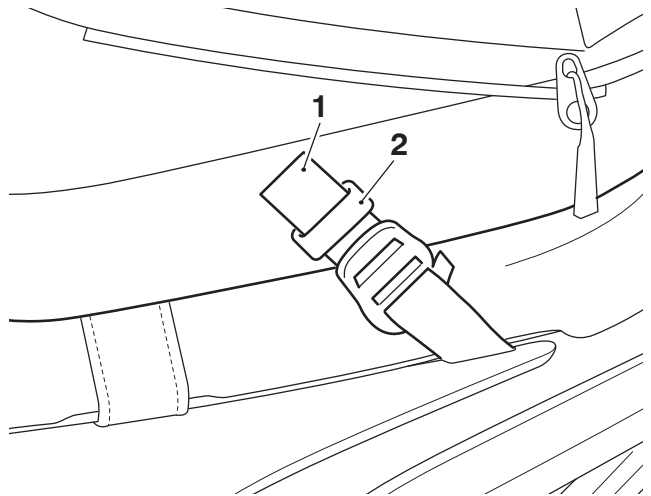
Daytona 660, Street Triple, Speed Triple 1200 RS, Speed Triple 1200 RR, Trident from VIN AC6898 Models Only

- Refit the passenger seat as described in the Service Manual.
- Pull the tail pack retaining straps tight to secure the tail pack to the passenger seat.



1. Tail pack retaining strap

- Feed any excess tail pack retaining strap back through the loops on the retaining straps, as shown.

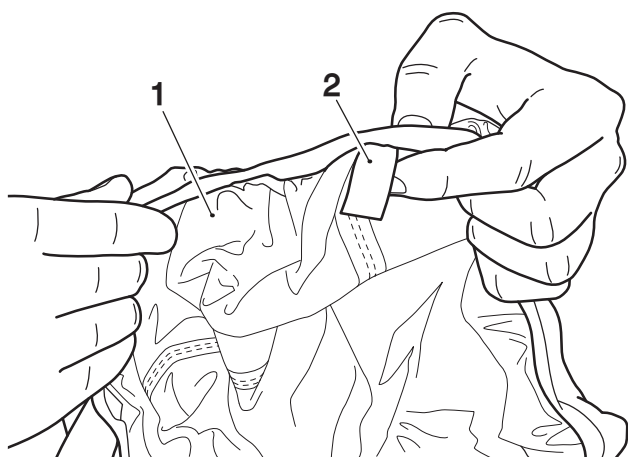


- Tail pack retaining strap
- Loop

Installing the Rain Cover

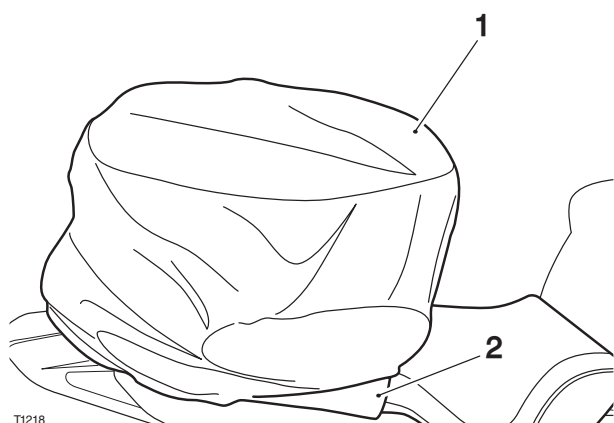
Rocket 3 Models Only

16. Locate the label on the inside of the rain cover, this identifies the front of the rain cover.



1. Rain cover
2. Label

17. Fit the rain cover over the tail pack with the identification label at the front.



T1218

1. Rain cover
2. Tail pack

⚠ WARNING

The maximum safe load for the tail pack is 3 kg (6.6 lbs).

Never exceed the maximum safe load limit as this may lead to loss of motorcycle control which could result in serious injury or death.

NOTICE

When using the tail pack, always pack heavier items at the bottom of the bag.

Care of Tail Pack

To maintain the appearance of your product, we recommend that you periodically clean the bag. Your Triumph bag is made from natural products and a lack of care can result in damage and permanent wear.

Frequent, regular cleaning is an essential part of the maintenance of your bag. If regularly cleaned, the appearance will be preserved for many years. Cleaning with cold water and a sponge is essential at all times but particularly so after exposure to sea breezes, sea water, dusty or muddy roads and in winter when roads are treated for ice and snow. A brush can be used to remove dirt or grit in extreme circumstances.

Do not use hot water or household detergent, as the use of such products will lead to premature deterioration.

Although, under the terms of your motorcycle warranty, cover is provided, the owner is expected to observe this reasonable advice which will safeguard against premature deterioration and enhance the appearance of the motorcycle.

Follow these simple instructions below to maintain the look of the bag:

- Do not use household cleaning products, bleach, detergents containing bleach or any kind of solvent to clean the bag; use a damp sponge only.
- Do not immerse the bag in water.
- Do not store items such as damp or wet clothing inside the bag as this can cause damage to the material or the stored items.
- Avoid direct heat from fires and radiators which can dry out and distort the bag.
- Avoid direct sunlight for extended periods which can dry out and discolour the material.
- Do not dry the bag by applying direct heat to them at any time.
- If the bag does get wet, absorb any excess water with a soft clean cloth then leave the product to dry naturally at room temperature.
- Avoid exposing the bag to high levels of salt, for example sea/salt water or road surfaces that have been treated during the winter for ice and snow.
- If exposure to salt is unavoidable, clean your bag immediately after each exposure using a damp sponge then leave the bag to dry naturally at room temperature.
- Allow mud to dry before wiping off. Use a soft cloth to remove the mud then leave the bag to dry naturally at room temperature.
- Gently clean any minor marks with a damp sponge then leave the bag to dry naturally at room temperature.
- Place the bag into a fabric bag or cardboard box to protect them when in storage. Do not put the bag into a plastic bag.

⚠ WARNING

After fitting the accessory kit the motorcycle will exhibit new handling characteristics.

Operate the motorcycle in a safe area free from traffic to gain familiarity with any new characteristics.

Operation of the motorcycle when not familiar with any new handling characteristics may lead to loss of motorcycle control which could result in serious injury or death.

⚠ WARNING

If, after fitting this accessory kit, you have any doubt about the performance of any aspect of the motorcycle, contact a competent person with the specialist knowledge and technical understanding of motorcycles, such as an authorised Triumph dealer.

Riding a motorcycle when there is any doubt as to any aspect of the performance of the motorcycle may lead to loss of motorcycle control which could result in serious injury or death.

⚠ WARNING

Never ride an accessory-equipped motorcycle at speeds above 80 mph (130 km/h).

Remember that the 80 mph (130 km/h) limit will be reduced by the fitting of non-approved accessories, incorrect loading, worn tyres, overall motorcycle condition and poor road or weather conditions.

The presence of accessories will cause changes in the stability and handling of the motorcycle. Failure to allow for changes in motorcycle stability may lead to loss of motorcycle control which could result in serious injury or death.

⚠ WARNING

High-speed operation should only be attempted by riders who have been instructed in the techniques necessary for high-speed riding and are familiar with the motorcycle's characteristics in all conditions.

Only operate this Triumph motorcycle at high speed in closed-course, on-road competition or on closed-course racetracks.

High-speed operation in any other circumstances is dangerous and may lead to loss of motorcycle control which could result in serious injury or death.

NOTICE

The motorcycle must not be operated above the legal road speed limit except in closed-course conditions.