

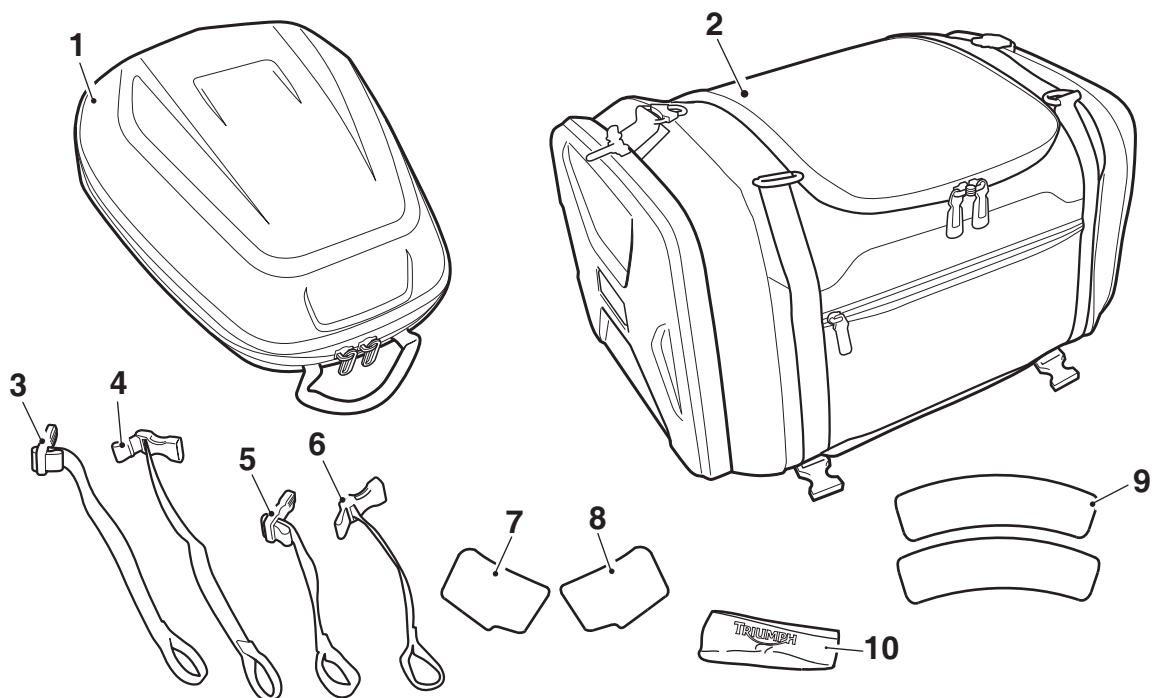
Fitting Instructions:

Tiger XR, Tiger XR_T, Tiger XR_x, Tiger XC, Tiger XCA, Tiger XC_x, Tiger 800, Tiger 800XC, Tiger 800 XC_x, Tiger 800 XCA, Tiger 800 XR, Tiger 800 XR_x, Tiger 800 XR_x LRH, Tiger 800 XR_T, Tiger Explorer, Tiger Explorer XC, Explorer XR, Explorer XR_x, Explorer XR_T, Explorer XC, Explorer XC_x, Explorer XCA, Tiger 1200 XC_x, Tiger 1200 XCA, Tiger 1200 XR, Tiger 1200 XR_x, Tiger 1200 XR_x LRH, Tiger 1200 XR_T
A9510086, A9510096, A9510077, A9510170

Thank you for choosing this Triumph genuine accessory kit. This accessory kit is the product of Triumph's use of proven engineering, exhaustive testing, and continuous striving for superior reliability, safety and performance.

Completely read all of these instructions before commencing the installation of the accessory kit in order to become thoroughly familiar with the kit's features and the installation process.

These instructions should be considered a permanent part of your accessory kit, and should remain with it even if your accessory-equipped motorcycle is subsequently sold.



Parts Supplied:

1. Tail pack, 10 litre (Tiger 800 and Tiger 800XC only)	1 off	5. Mount strap short, male	1 off
or	1 off	6. Mount strap short, female	1 off
		7. Protective film - left hand (if supplied)	1 off
2. Tail pack, 50 litre	1 off	8. Protective film - right hand (if supplied)	1 off
3. Mount strap long, male	1 off	9. Protective film (if supplied)	2 off
4. Mount strap long, female	1 off	10. Cleaning wipe (if supplied)	1 off

 **Warning**

The accessory kits covered in this instruction are designed for use on specific models of Triumph motorcycle. The accessory kits and the models applicable are listed at the start of the instruction. They should not be fitted to any other Triumph model or to any other manufacturer's motorcycle. Fitting an accessory kit to a Triumph model not listed, or to any other manufacturer's motorcycle will affect the performance, stability and handling of the motorcycle. This may affect the rider's ability to control the motorcycle and could cause an accident.

 **Warning**

Always have Triumph approved parts, accessories and conversions fitted by a trained technician of an authorised Triumph dealer. The fitment of parts, accessories and conversions by a technician who is not of an authorised Triumph dealer may affect the handling, stability or other aspects of the motorcycle's operation which may result in loss of motorcycle control and an accident.

 **Warning**

Throughout this operation, ensure that the motorcycle is stabilised and adequately supported to prevent risk of injury from the motorcycle falling.

 **Warning**

If the engine has recently been running, the exhaust system will be hot. Before working on or near the exhaust system, allow sufficient time for the system to cool, as touching any part of a hot exhaust could cause burn injuries.

 **Warning**

The tail pack must not be fitted to the sliding carriage (if fitted). If a sliding carriage is fitted, the tail pack must either be fitted to the pillion seat, or the sliding carriage must be removed and the bike reverted to its standard condition prior to fitting the tail pack to the rear rack. Installation of the tail pack on to the sliding carriage will affect the handling, stability or other aspects of the motorcycle's operation which may result in loss of motorcycle control and an accident.

 **Warning**

The tail pack must not be fitted in conjunction with a top box. Installation of the tail pack together with a top box will affect the handling, stability or other aspects of the motorcycle's operation which may result in loss of motorcycle control and an accident.

 **Warning**

Install the tail pack only in the positions described below. Installation of the tail pack in any other position on the motorcycle will affect the handling, stability or other aspects of the motorcycle's operation which may result in loss of motorcycle control and an accident.

 **Warning**

Remove all straps from the motorcycle when operating the motorcycle with the tail pack removed. Operation of the motorcycle with the straps fitted, and the tail pack removed, may result in loss of motorcycle control and an accident.

 **Warning**

Remove the shoulder strap(s) from the tail pack before mounting to the motorcycle. Operation of the motorcycle with the shoulder strap(s) fitted may result in loss of motorcycle control and an accident.

 **Warning**

50 Litre Tail Pack only: Secure the carry handles in to the zipped compartments on either side of the tail pack before mounting to the motorcycle. Operation of the motorcycle with the carry handles unsecured may result in loss of motorcycle control and an accident.

 **Warning**

Always ensure the tail pack straps are correctly tensioned before riding the motorcycle. Operation of the motorcycle with the tail pack loose may result in loss of motorcycle control and an accident.



Caution

Remove all straps from the motorcycle when operating the motorcycle with the tail pack removed. Operation of the motorcycle with the straps fitted, and the tail pack removed, may result in damage to the straps or motorcycle.



Warning

Always ensure any excess mounting strap is tied back around itself to prevent the strap becoming trapped in the motorcycle.

Operation of the motorcycle with any excess strap hanging loose may lead to the strap becoming entangled with the rider and/or the motorcycle and result in loss of motorcycle control and an accident.



Caution

Always tie any excess mounting strap back around itself to prevent the strap touching the motorcycle exhaust or chafing against the motorcycle.

Operation of the motorcycle with any excess strap not secured may result in damage to the straps or the motorcycle.

Note:

- **When using the tail pack, always pack heavier items at the bottom of the bag.**

Fitment to the Rear Rack



Warning

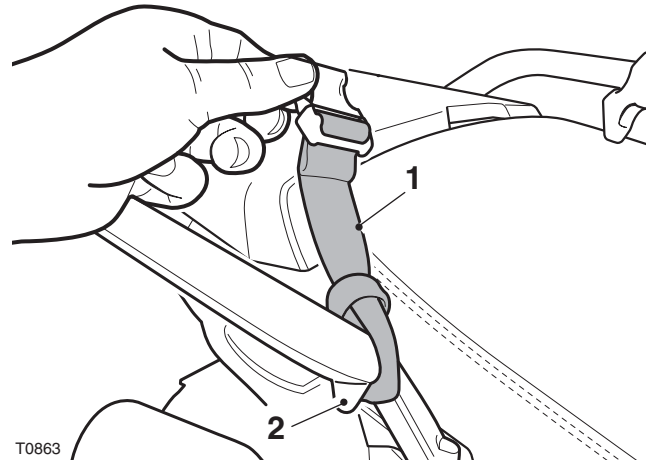
Ensure the tail pack or its mounting straps do not obscure the rear light unit or direction indicators.

Riding the motorcycle with the rear lights or direction indicators obscured may reduce other road users' visibility of the motorcycle leading to an accident.

Tiger 800, Tiger 800XC

10 Litre Tail Pack:

1. Wrap the short male mounting strap around the left hand grab rail to the inside of the front lug, so that the tensioning strap is uppermost.
2. Wrap the short female mounting strap around the right hand grab rail to the inside of the front lug, so the tensioning strap is uppermost.



T0863

1. Short female mounting strap
2. Grab handle lug (right hand shown)

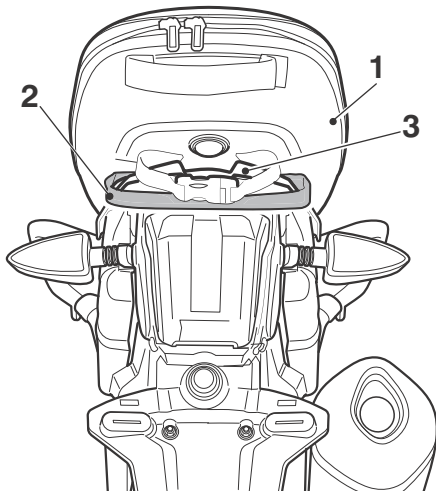
Note:

- **On the 10 litre tail pack, the long straps are not used when the tail pack is fitted to the rear rack. Retain the long straps for use when fitting the tail pack to the rear seat.**
 - **Ensure the underside of the tail pack is clean and dry prior to fitting.**
3. Position the tail pack to the rear rack, with the logo to the rear.

Note:

- **On the 10 litre tail pack ensure the rear mounting straps are clipped together, as they are not used when the tail pack is fitted to the rear rack.**

- Slide the loop strap on the bottom of the tail pack under the rear rack, as shown below.



T0864

- Tail pack (10 litre shown)**
- Loop strap**
- Rear rack**

- Clip the straps to the tail pack and tension.
- Securely tie any excess strap back around itself.

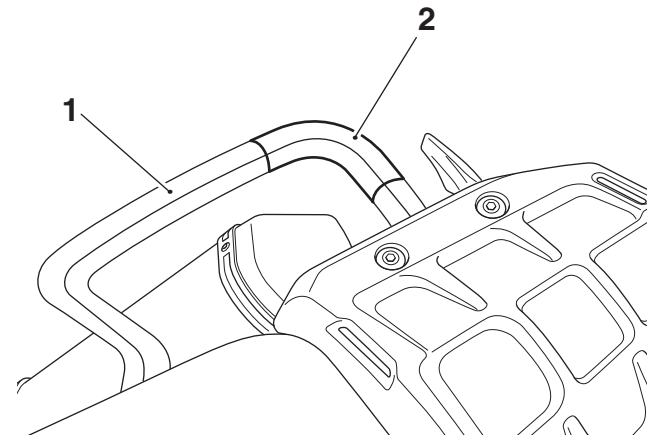
Tiger XR, Tiger XR_T, Tiger XR_x, Tiger XC, Tiger XCA, Tiger XC_x, Tiger 800, Tiger 800 XC, Tiger 800 XC_x, Tiger 800 XCA, Tiger 800 XR, Tiger 800 XR_x, Tiger 800 XR_x LRH, Tiger 800 XR_T

50 Litre Tail Pack:

Note:

- The kit may include self-adhesive protective film (item 9). Where applicable, follow steps 1 to 8 below. If self-adhesive protective film is not included in the kit, go to step 9.
- Read the warning notices printed on the cleaning wipe packet in the fitting kit.

- Using the cleaning wipe provided, clean the grab handles in the area shown below, on both the left and right hand sides.

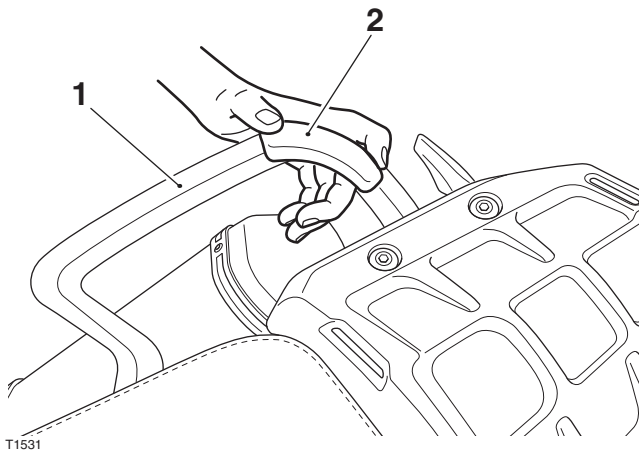


T1530

- Grab handle (right hand shown)**
- Cleaning area**

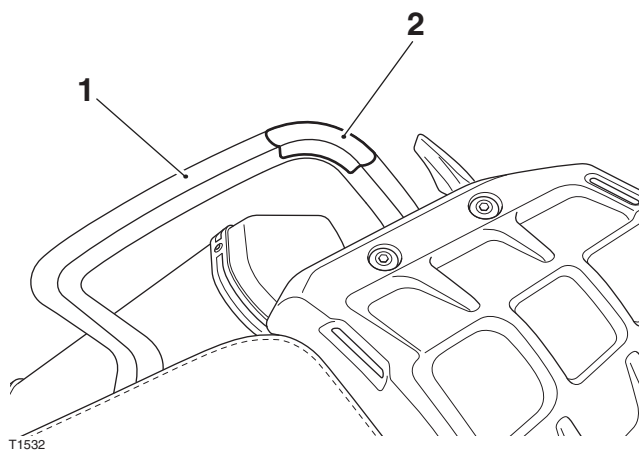
- Take one of the self-adhesive protective films from the kit and peel off the clear coloured upper cover.
- Peel the white coloured backing paper away for approximately 15 mm from the top edge of the protective film.

4. Locate the self-adhesive protective film against the right hand grab handle, aligning the top edge of the protective film with the contour of the grab handle, as shown.



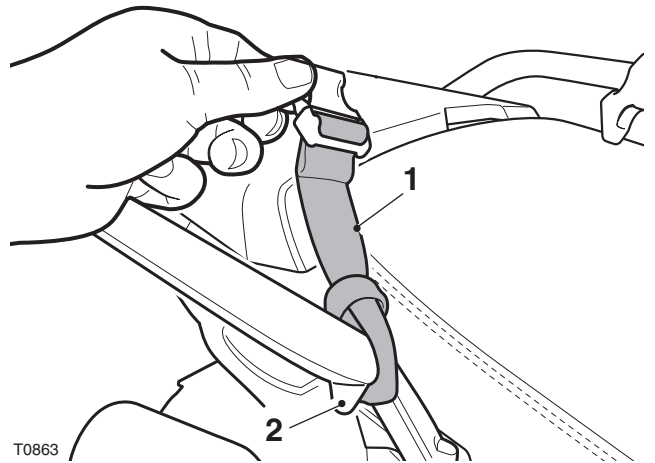
1. Grab handle (right hand shown)
2. Self-adhesive protective film

5. When aligned correctly, carefully press the exposed area of film onto the right hand grab handle.
6. Gradually peel away the backing paper from the protective film, pressing the areas of exposed film to the contours of the right hand grab handle until the protective film is fully applied, as shown.



1. Grab handle (right hand shown)
2. Self-adhesive protective film

7. Use a soft, lint free cloth to press the protective film firmly on to the right hand grab handle, removing possible air pockets where necessary.
8. Repeat steps 2 to 7 for the left hand grab handle.
9. Wrap the short male mounting strap around the left hand grab rail, to the inside of the front lug, so that the tensioning strap is uppermost.
10. Wrap the short female mounting strap around the right hand grab rail, to the inside of the front lug, so the tensioning strap is uppermost.



1. Short female mounting strap
2. Grab handle lug (right hand shown)

Note:

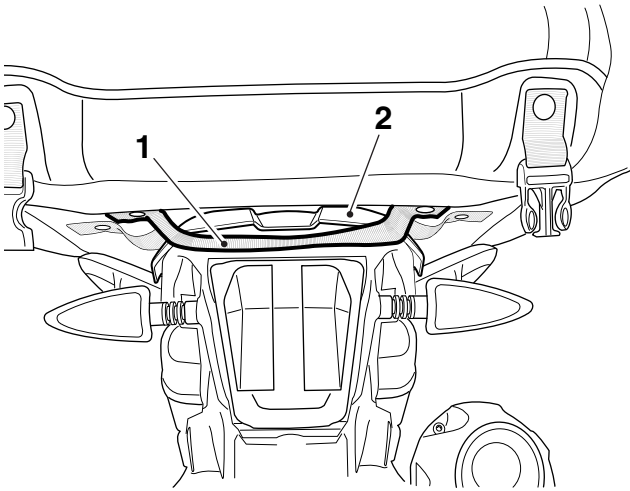
- Ensure the underside of the tail pack is clean and dry prior to fitting.

11. Position the tail pack to the rear rack, with the logo to the rear.

Note:

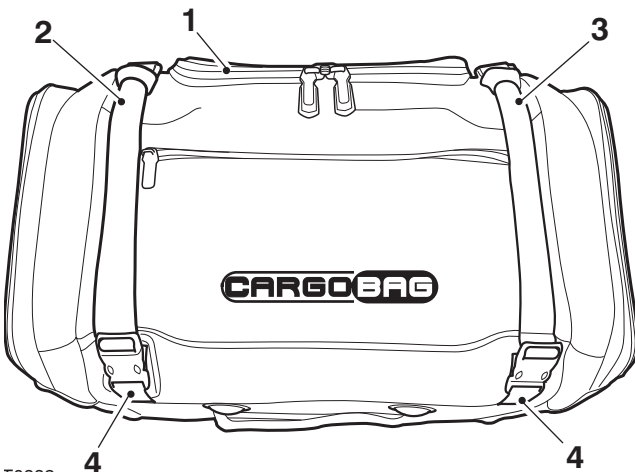
- On the 50 litre tail pack, the long loop strap is not used when the tail pack is fitted to the rear rack. Ensure the long loop strap is positioned between the tail pack and the rear rack.

- Slide the short loop strap on the bottom of the tail pack under the rear rack, as shown below.



- Loop strap (short)
- Rear rack

- On the side of the tail pack with the logo, and using the two long straps supplied, wrap the strap through the D-loop on the bag and connect to the buckle on the bag, as shown below.



T0882

- 50 litre tail pack
- Long male strap
- Long female strap
- Buckles

- Clip the straps to the tail pack and tension.
- Securely tie any excess strap back around itself.

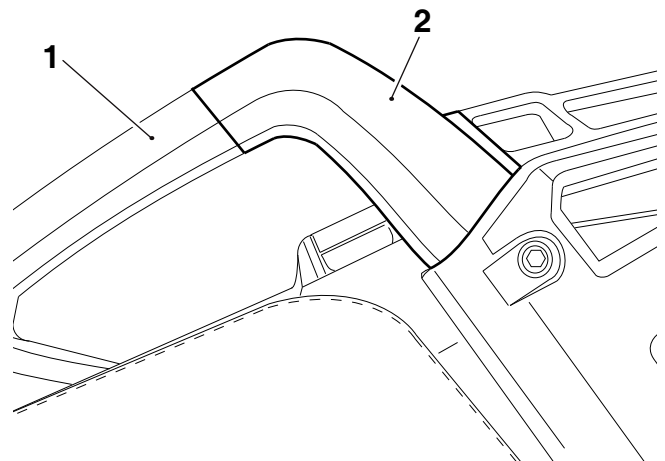
Tiger Explorer, Tiger Explorer XC Explorer XR, Explorer XR_x, Explorer XR_T, Explorer XC, Explorer XC_x, Explorer XCA, Tiger 1200 XC_x, Tiger 1200 XCA, Tiger 1200 XR, Tiger 1200 XR_x, Tiger1200 XR_x LRH, Tiger 1200 XR_T

50 Litre Tail Pack:

Note:

- The kit may include self-adhesive protective film (items **7** and **8**). Where applicable, follow steps **1** to **8** below. If self-adhesive protective film is not included in the kit, go to step **9**.
- Read the warning notices printed on the cleaning wipe packet in the fitting kit.

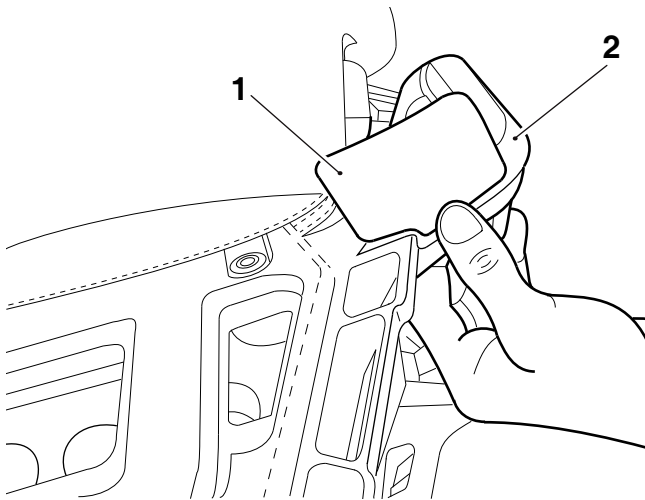
- Using the cleaning wipe provided, clean the grab handle in the area shown below, on both the left and right hand sides.



- Grab handle
- Cleaning area

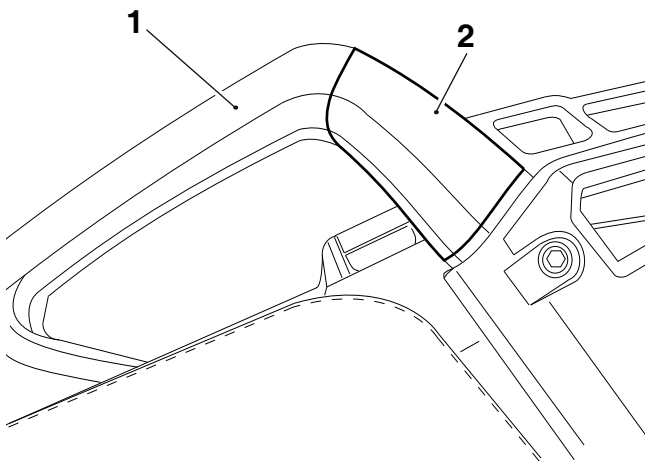
- Take the right hand self-adhesive protective film from the kit and peel off the clear coloured upper cover.
- Peel the backing paper away for approximately 15 mm from the bottom, stepped edge, of the protective film.

4. Locate the self-adhesive protective film against the right hand grab handle, aligning the step in the protective film with the contour of the grab handle, as shown.



1. Self-adhesive protective film (right hand shown)
2. Grab handle (right hand shown)

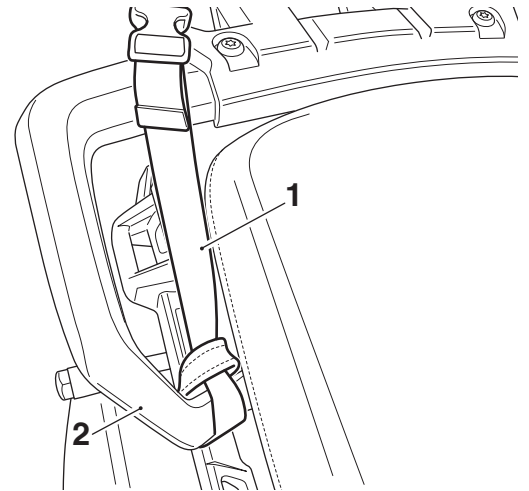
5. When aligned correctly, carefully press the exposed area of film onto the grab handle.
6. Gradually peel away the backing paper from the protective film, pressing the areas of exposed film to the contours of the grab handle until the protective film is fully applied, as shown.



1. Grab handle
2. Self-adhesive protective film

7. Use a soft, lint free cloth to press the protective film firmly on to the grab handle, removing possible air pockets where necessary.
8. Repeat steps 2 to 7 for the left hand grab handle.
9. Wrap the long male mounting strap around the left hand grab handle, to the inside of the front lug, so that the tensioning strap is uppermost.

10. Wrap the long female mounting strap around the right hand grab handle, to the inside of the front lug, so the tensioning strap is uppermost.



T1034

1. Long female mounting strap
2. Grab handle (right hand shown)

Note:

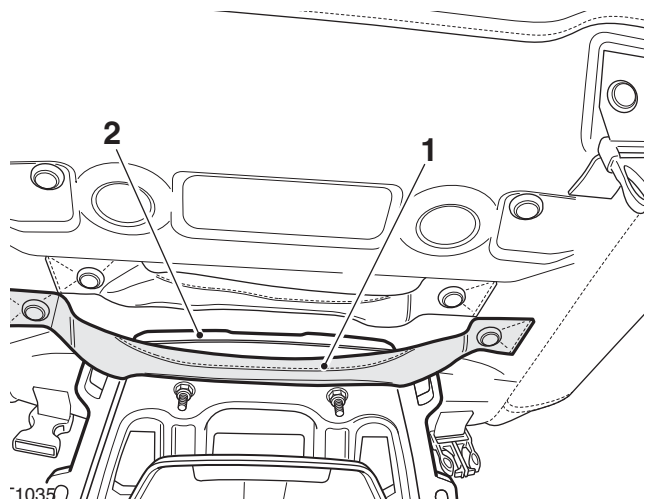
- Ensure the underside of the tail pack is clean and dry prior to fitting.

11. Position the tail pack to the rear rack, with the logo to the rear.

Note:

- On the 50 litre tail pack, the short loop strap is not used when the tail pack is fitted to the rear rack. Ensure the short loop strap is positioned between the tail pack and the rear rack.

12. Slide the long loop strap fully under the rear rack, as shown below.



T1035

1. Loop strap (long)
2. Rear rack

13. Clip the straps to the tail pack and tension.
14. Securely tie any excess strap back around itself.

Fitment to the Pillion Seat

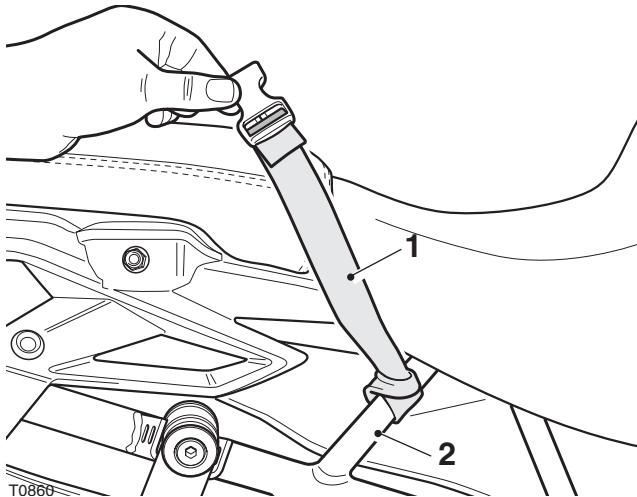
Tiger 800, Tiger 800XC

10 Litre and 50 Litre Tail Packs:

Tiger XR, Tiger XRt, Tiger XRx, Tiger XC, Tiger XCA, Tiger XCx, Tiger 800 XCx, Tiger 800 XCA, Tiger 800 XR, Tiger 800 XRx, Tiger 800 XRx LRH, Tiger 800 XRt

50 Litre Tail Pack:

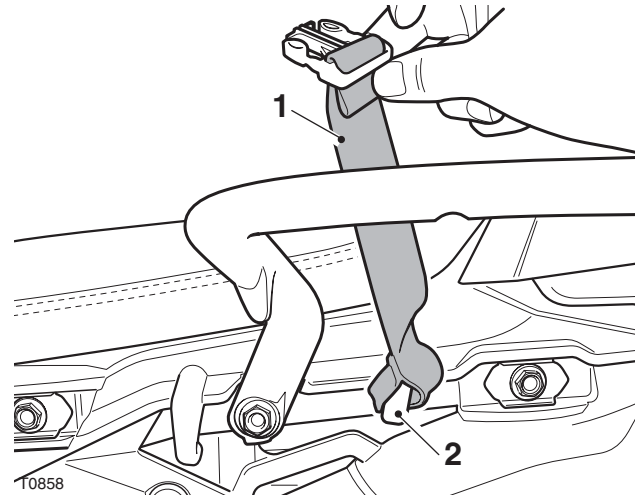
1. Wrap the long male mounting strap around the left hand side of frame, so the tensioning strap is uppermost.
2. Wrap the long female mounting strap around the right hand side of frame, so the tensioning strap is uppermost.



1. Long female mounting strap
2. Frame (right hand side)

3. Wrap the short female mounting strap around the lashing hook on the right hand rear side panel, so the tensioning strap is uppermost.

4. Wrap the short male mounting strap around the lashing hook on the left hand rear side panel, so the tensioning strap is uppermost.



1. Short male mounting strap
2. Lashing hook (left hand shown)

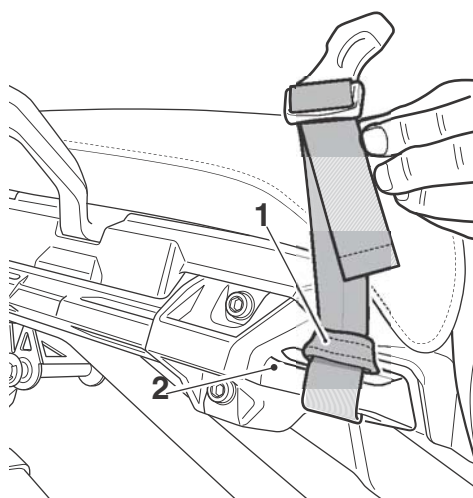
Note:

- **Ensure the underside of the tail pack is clean and dry prior to fitting.**
5. If necessary, uncouple the tail pack straps from each other.
 6. Position the tail pack on the pillion seat, with the logo to the rear.
 7. Attach the straps to the tail pack and tension.
 8. Securely tie any excess strap back around itself.

**Tiger Explorer, Tiger Explorer XC
Explorer XR, Explorer XR_x, Explorer XR_T,
Explorer XC, Explorer XC_x, Explorer XC_A,
Tiger 1200 XC_x, Tiger 1200 XC_A,
Tiger 1200 XR, Tiger 1200 XR_x,
Tiger 1200 XR_x LRH, Tiger 1200 XR_T**

50 Litre Tail Pack:

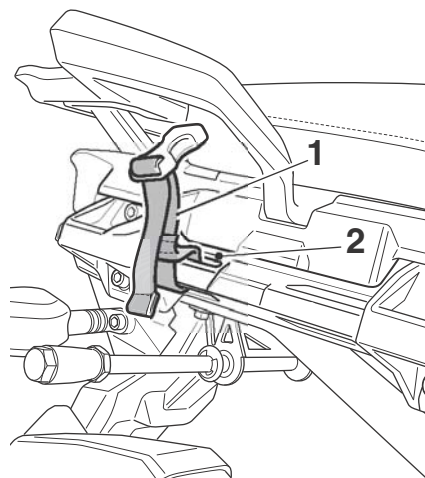
1. Wrap the long male mounting strap through the front eyelet of the left hand side pannier mounting, so the tensioning strap is uppermost.
2. Wrap the long female mounting strap through the lashing eyelet of the right hand side pannier mounting, so the tensioning strap is uppermost.



1. Long female mounting strap
2. Lashing eyelet (right hand shown)

3. Wrap the short male mounting strap through the eyelet of the left hand side pannier mounting, as shown below, so the tensioning strap is uppermost.

4. Wrap the short female mounting strap through the eyelet of the right hand side pannier mounting, as shown below, so the tensioning strap is uppermost.




1. Short female mounting strap
2. Lashing eyelet (right hand shown)

Note:

- **Ensure the underside of the tail pack is clean and dry prior to fitting.**
5. Position the tail pack on the pillion seat, with the logo to the rear.
 6. Attach the straps to the tail pack and tension.
 7. Securely tie any excess strap back around itself.

All Models

 Warning
<p>Ensure the tail pack or its mounting straps do not interfere with the correct operation of the sliding carriage (if fitted).</p> <p>Riding the motorcycle with the sliding carriage operation restricted may cause the motorcycle to become unstable leading to loss of control and an accident.</p>

Cleaning

 **Caution**

Use of chemicals or high-pressure spray washers is not recommended for cleaning the tail pack. Using chemicals or pressure washers may damage the tail pack.

To help maintain its appearance, clean the tail pack using a sponge or cleaning cloth with low alkaline soap and water.

 **Warning**

The maximum safe load for the tail pack is 3 kg (6.6 lbs). Never exceed this loading limit as this may cause the motorcycle to become unstable leading to loss of control and an accident.

 **Warning**

After fitting the accessory kit the motorcycle will exhibit new handling characteristics. Operate the motorcycle in a safe area free from traffic to gain familiarity with any new characteristics. Operation of the motorcycle when not familiar with any new handling characteristics may result in loss of motorcycle control and an accident.

 **Warning**

Never ride an accessory-equipped motorcycle (including those fitted with Triumph approved windscreens and luggage systems) at speeds above 80 mph (130 km/h).

The presence of accessories such as windscreens and luggage systems will cause changes in the stability and handling of the motorcycle. Failure to allow for changes in motorcycle stability may lead to loss of control or an accident.

Remember that the 80 mph (130 km/h) limit will be reduced by the fitting of non-approved accessories, incorrect loading, worn tyres, overall motorcycle condition and poor road or weather conditions.

 **Warning**

This motorcycle must not be operated above the legal road speed limit except in authorised closed-course conditions.

 **Warning**

Only operate this Triumph motorcycle at high speed in closed-course, on-road competition or on closed-course racetracks. High speed operation should only be attempted by riders who have been instructed in the techniques necessary for high speed riding and are familiar with the motorcycle's characteristics in all conditions.

High speed operation in any other circumstances is dangerous and will lead to loss of motorcycle control and an accident.