



Accessory Fitting Instructions

33L Top Box Kit	
Kit Number	Models Affected
A9501337	Tiger 900, Tiger 900 GT, Tiger 900 GT Pro, Tiger 900 GT (LRH), Tiger 900 GT Aragon Edition, Tiger 900 Rally, Tiger 900 Rally Pro, Tiger 900 Rally Aragon Edition, Tiger 850 Sport
A9501307	Tiger 1200 GT, Tiger 1200 GT Pro, Tiger 1200 Rally Pro, Tiger 1200 Rally Explorer, Tiger 1200 GT Explorer
46L Top Box Kit	
Kit Number	Models Affected
A9501338	Tiger 900, Tiger 900 GT, Tiger 900 GT Pro, Tiger 900 GT (LRH), Tiger 900 GT Aragon Edition, Tiger 900 Rally, Tiger 900 Rally Pro, Tiger 900 Rally Aragon Edition, Tiger 850 Sport
A9501308	Tiger 1200 GT, Tiger 1200 GT Pro, Tiger 1200 Rally Pro, Tiger 1200 Rally Explorer, Tiger 1200 GT Explorer
52L Top Box Kit	
Kit Number	Models Affected
A9501339	Tiger 900, Tiger 900 GT, Tiger 900 GT Pro, Tiger 900 GT (LRH), Tiger 900 GT Aragon Edition, Tiger 900 Rally, Tiger 900 Rally Pro, Tiger 900 Rally Aragon Edition, Tiger 850 Sport
A9501309	Tiger 1200 GT, Tiger 1200 GT Pro, Tiger 1200 Rally Pro, Tiger 1200 Rally Explorer, Tiger 1200 GT Explorer

Note:

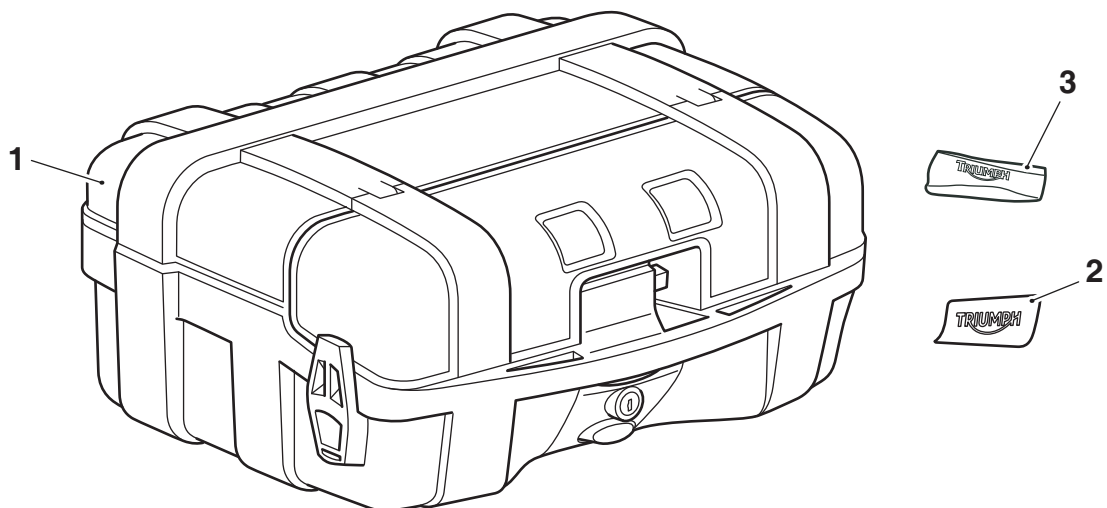
- **The Accessory Top Box Kits A9501337, A9501338 and A9501339 must only be used in conjunction with Accessory Sliding Carriage Kit A9500640.**
- **The Accessory Top Box Kits A9501307, A9501308 and A9501309 must only be used in conjunction with Accessory Sliding Carriage Kit A9500988.**

Thank you for choosing this Triumph genuine accessory kit. This accessory kit is the product of Triumph's use of proven engineering, exhaustive testing, and continuous striving for superior reliability, safety and performance.

Completely read all of these instructions before commencing the installation of the accessory kit in order to become thoroughly familiar with the kit's features and the installation process.

These instructions should be considered a permanent part of your accessory kit, and should remain with it even if your accessory equipped motorcycle is subsequently sold.

Parts Supplied: A9501337, A9501307

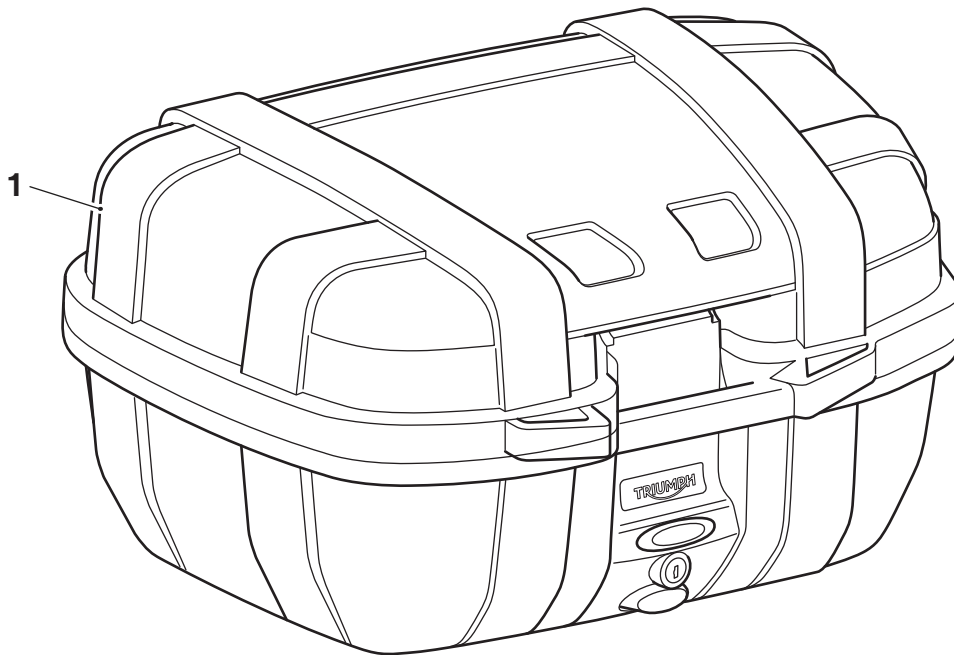


1. Top box, 33L	1 off	3. Cleaning wipe	1 off
2. Badge (if supplied)	1 off		

Parts Supplied: A9501338, A9501308



1. Top Box, 46L	1 off	3. Cleaning wipe	1 off
2. Badge (if supplied)	1 off		



1. Top box, 52L	1 off		
-----------------	-------	--	--

Warning

Fit only genuine Triumph accessories to those models approved by Triumph as listed in the associated Triumph fitting instructions. The accessory kits covered in this instruction are designed for use on specific models of Triumph motorcycle. The accessory kits and the models applicable are listed at the start of the instruction. They should never be fitted to any other Triumph model or to any other manufacturer's motorcycle. Fitting an accessory kit to a Triumph model not listed, or to any other manufacturer's motorcycle will affect the performance, stability and handling of the motorcycle. This may affect the rider's ability to control the motorcycle and could result in an accident causing severe injuries or death.

Warning

Throughout this operation, make sure that the motorcycle is stabilised and adequately supported to prevent risk of injury from the motorcycle falling.

Warning

A torque wrench of known accurate calibration must be used when fitting this accessory kit. Failure to tighten any of the fasteners to the correct torque specification may affect motorcycle performance, handling and stability. This may result in loss of motorcycle control and an accident.

Warning

Always have Triumph approved parts, accessories and conversions fitted by a trained technician of an authorised Triumph dealer. The fitment of parts, accessories and conversions by a technician who is not of an authorised Triumph dealer may affect the handling, stability or other aspects of the motorcycle's operation which will result in loss of motorcycle control and an accident.

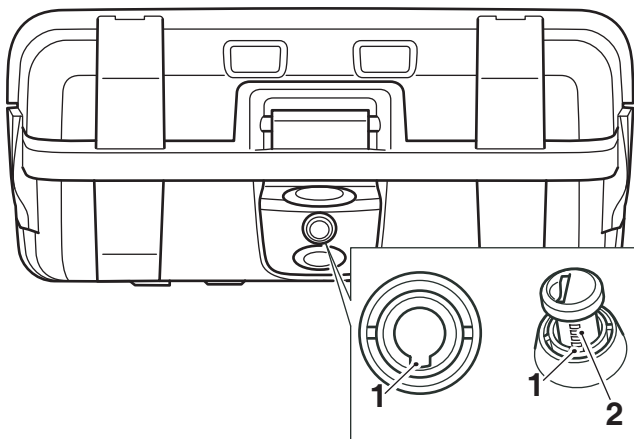
Note:

- Triumph offers a broad range of approved genuine accessories for your motorcycle. We cannot therefore cover all possible equipment variations in these instructions. For removal and installation of Triumph Genuine Accessories always refer to the instructions supplied with the respective accessory kit. To obtain additional copies of any Triumph accessory instructions, visit www.triumphinstructions.com or contact your authorised Triumph dealer.

Lock Barrel Fitment

Note:

- The lock barrel will only fit one way.
1. Take a lock barrel (supplied with the motorcycle). Align the tumblers to the slot and push the barrel into position until it clicks into place.

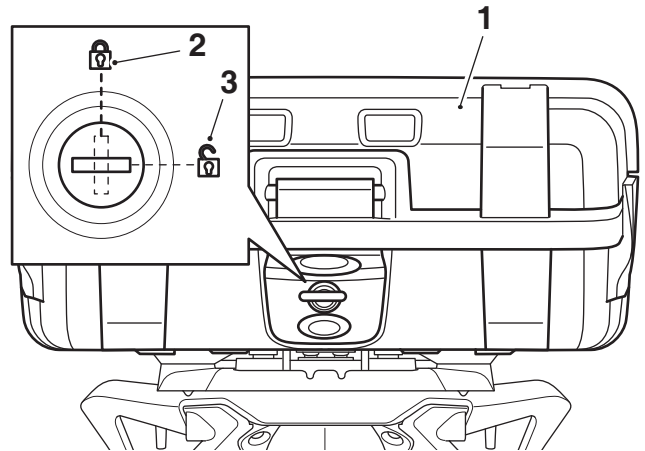


1. Slot
2. Tumblers

2. Check the operation of the lock barrel.

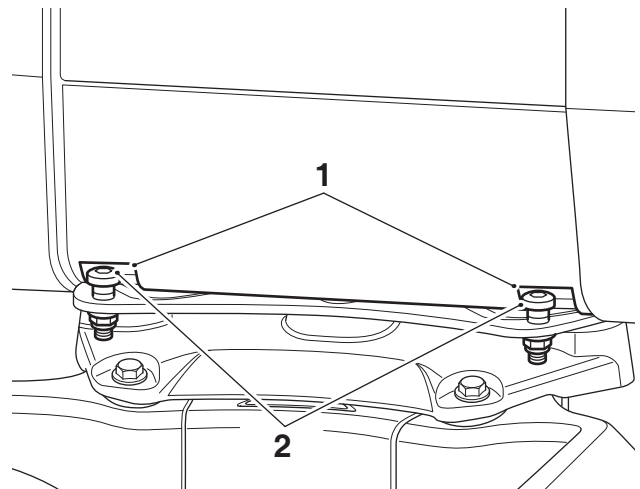
Fitting the Top Box

1. The top box lock has two positions, as shown below. Insert the key in the lock and turn to the UNLOCK position.



1. Top box
2. Lock, LOCK position
3. Lock, UNLOCK position

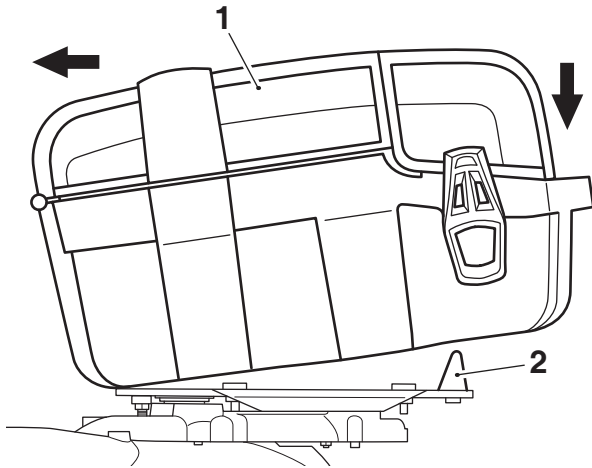
2. Position the top box such that the mounting slots on the bottom of the top box locate with the mounting hooks on the sliding carriage.



1. Mounting slots
2. Mounting hooks

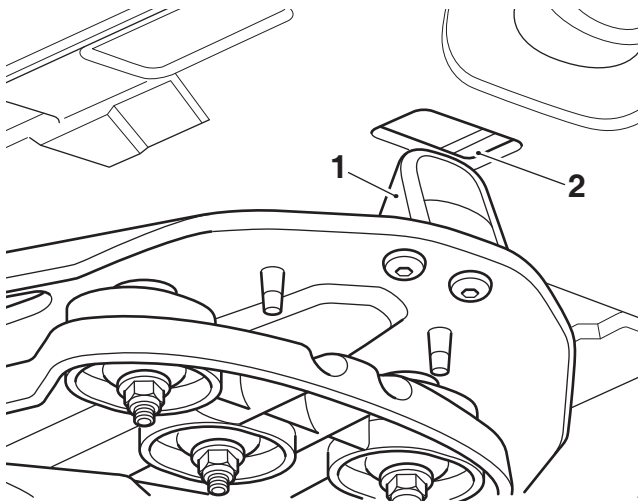
Note:

- **The top box will lock to the sliding carriage when the latch on the sliding carriage aligns to the locking mechanism of the top box.**
3. Push the top box forwards against the mounting hooks and lower the rear of the top box until the locking mechanism engages with the rear latch.



1. Top box
2. Latch

4. Lock the top box to the sliding carriage by pushing downwards to fully engage it. An audible click can be heard when the locking mechanism on the bottom surface of the top box is correctly latched to the sliding carriage. If an audible click cannot be heard the top box may not be correctly latched to the sliding carriage.



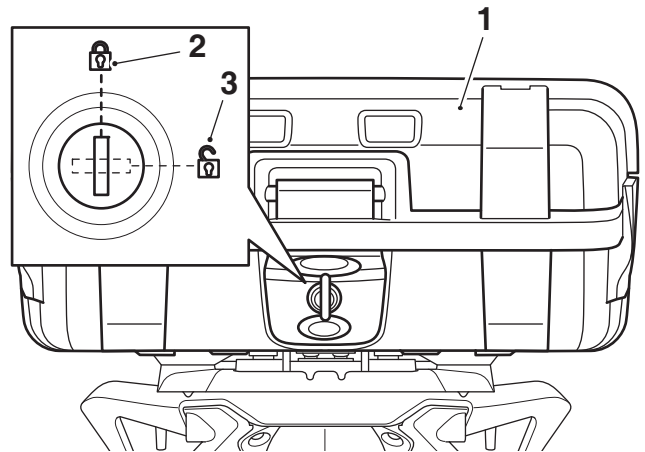
1. Latch
2. Locking mechanism



Warning

To prevent detachment of the top box while riding, after fitting always grasp the top box and pull firmly upwards and to the rear. If the top box is not correctly secured, it will detach from the sliding carriage. A loose or detached top box could cause loss of motorcycle control and an accident.

5. To lock the top box onto the sliding carriage, insert the key in the lock and turn to the LOCK position, as shown below. Note, this will also lock the top box lid.



1. Top box
2. Lock, LOCK position
3. Lock, UNLOCK position

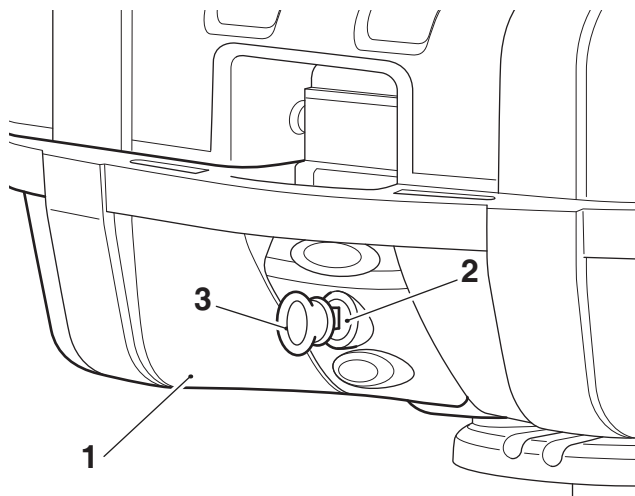
6. Check that the top box is securely locked to the sliding carriage.



Warning

An incorrectly mounted top box may detach whilst riding, resulting in a dangerous riding condition. A top box that detaches whilst riding may cause loss of motorcycle control and an accident and/or injury to other road users.

- Before riding, always make sure that the top box is mounted correctly. Make sure that the lock barrel is turned to the LOCK position and the key removed.



1. Top box
2. Lock position
3. Key

Warning

The maximum safe load for the top box is 5 kg (11 lbs). Never exceed this loading limit as this may cause the motorcycle to become unstable leading to loss of motorcycle control and an accident.

Warning

After fitting or removing the top box, operate the motorcycle in a safe area free from traffic to gain familiarity with the new handling characteristics. Operation when not familiar with the new characteristics of the motorcycle may result in loss of motorcycle control and an accident.

Warning

Incorrect loading may result in an unsafe riding condition leading to loss of motorcycle control and an accident.

Always make sure any loads carried are evenly distributed on the motorcycle. Make sure that the load is correctly secured such that it will not move around while the motorcycle is in motion.

Evenly distribute the load within the top box. Pack heavy items at the bottom of the top box.

Always check the load security regularly (though not while the motorcycle is in motion) and make sure that the load does not extend beyond the rear of the motorcycle. Never exceed the maximum vehicle loading weight. Refer to the Owner's Handbook for the maximum loading weight specification.

This maximum loading weight is made up from the combined weight of the rider, passenger, any accessories fitted and any load carried.

For models that have adjustable suspension settings, make sure that front and rear spring preload and damping settings are suitable for the loading condition of the motorcycle. Refer to the Owner's Handbook.

Note the maximum permissible payload for the top box is stated on a label inside the top box.

Badge Fitment (If supplied loose)



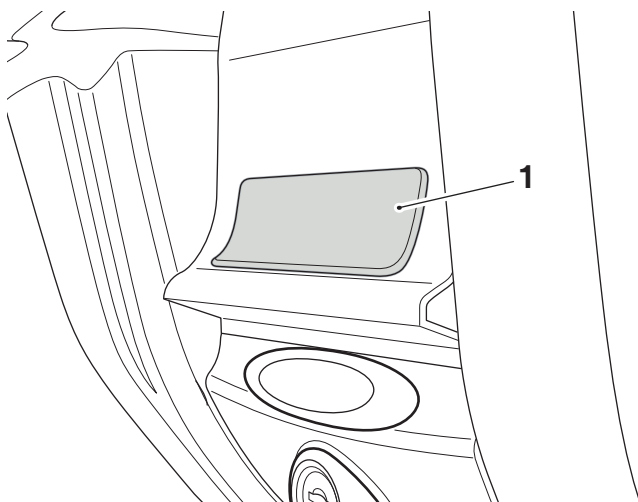
Caution

When fitting self-adhesive parts care must be taken to make sure positioning is correct and accurate. Once the adhesive has been attached to the mounting surface, there is no satisfactory method of removal or re-positioning if incorrectly aligned. Initial bonding is instant, full bonding is achieved after 72 hours.

Note:

- Read the warning notices printed on the cleaning wipe packet.
- The surface to which the Badge is affixed must be clean and dry to make sure that the adhesive has a sound base to adhere to. Use the cleaning wipe supplied for this purpose.

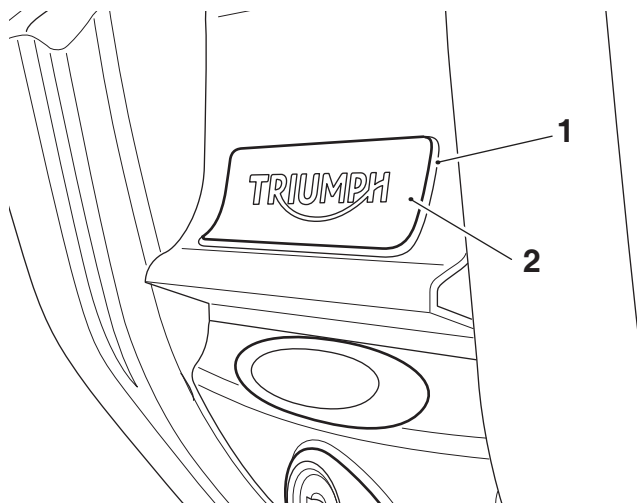
1. Collect the badge from the kit.
2. Using the cleaning wipe provided, clean the recessed area of the top box prior to fitting each badge, as shown below. Make sure the surface of the top box is clean and free from grease.



1. Cleaning area

3. Peel the protective film from the back of the badge.

4. Carefully position the badge on the top box in the user's preferred orientation within the cleaned area. Apply firm and even pressure with fingers across the whole surface of the badge to make sure a good surface adhesion is achieved.

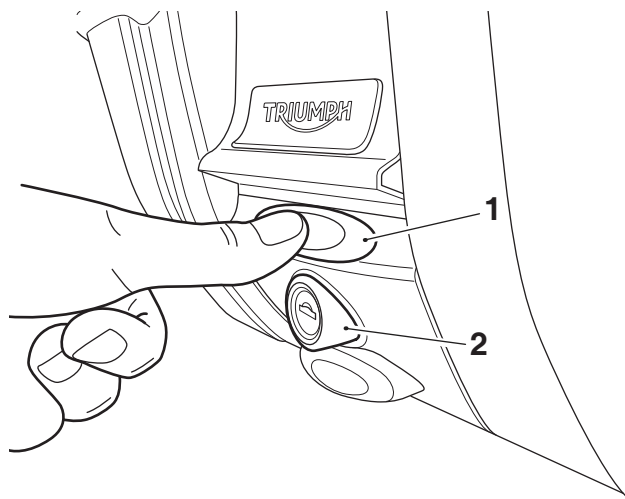


1. Recessed area, top box

2. Badge

Top Box Operation

1. To open the top box lid, turn the key to the UNLOCK position and press the button above the lock on the top box. Always make sure the lock is returned to the LOCK position and the key removed after the top box lid is closed.

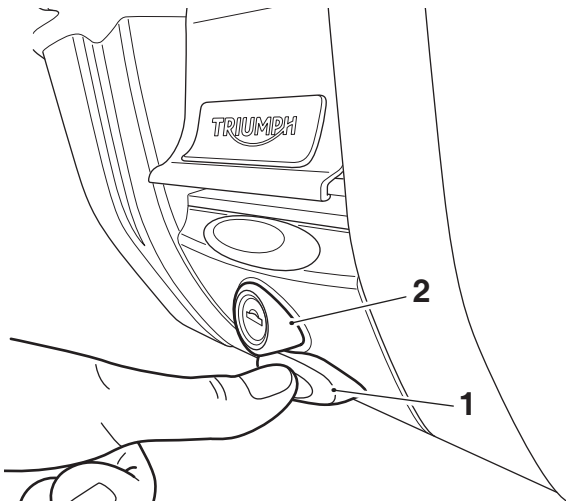


1. Top button

2. Lock

Removing the Top Box

1. To remove the top box from the mounting platform, insert the key in the lock and turn the key to the UNLOCK position. Press the button below the lock on the top box, this will release the top box from the mounting platform.



1. Bottom button
2. Lock

2. Lift the rear of the top box to release the locking mechanism from the rear latch. Slide the top box rearward to disengage the front mounting hooks and lift the top box away from the sliding carriage.

Cleaning the Luggage System

All parts of the luggage system fitted to your motorcycle must be cleaned regularly to avoid deterioration of their appearance.

Washing

Prepare a mixture of cold water and mild automotive cleaner. Do not use a highly alkaline soap as commonly found at commercial car washes because it leaves a residue.

Wash the luggage system with a soft cloth. Do not use an abrasive scouring pad or steel wool. They will damage the finish.

Rinse the luggage system thoroughly.

Make sure no soap or water enters the inside compartment.

Dry the luggage system as far as possible with a soft cloth.

Protecting

When the luggage system is dry, protect with a colourless lubricating spray.



Caution

The use of abrasive cleaners and polishes will damage the system and must not be used.

It is recommended that regular protection be applied to the system as this will both protect and enhance the system's appearance.

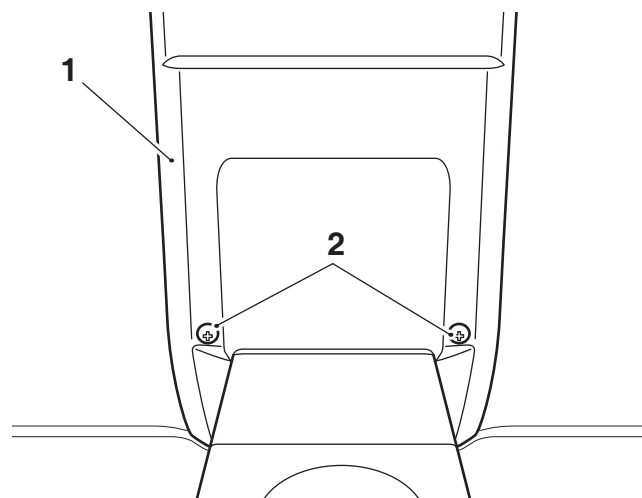
Note:

- It is recommended to use the Triumph inner bags to protect both the luggage contents and the inner surfaces of the luggage.

Top Box - Lock Barrel Replacement

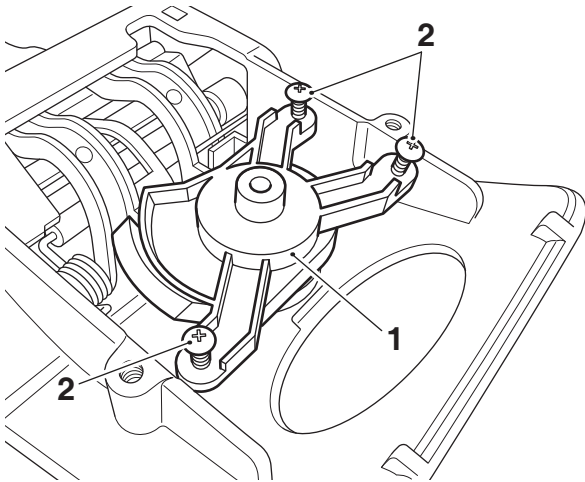
Latch Housing Removal

1. Open the top box lid and locate the two fixings retaining the latch housing to the top box. Remove the fixings and remove the latch housing from the top box. Retain the fixings for reuse.



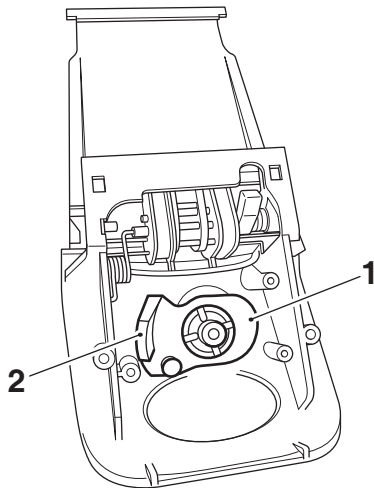
1. Top box
2. Fixings

- Remove the retaining piece from the latch housing. Retain the fixings and retaining piece for reuse.



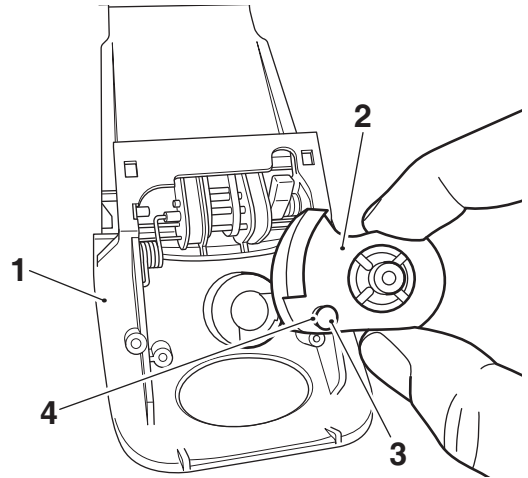
- Retaining piece
- Fixings

- Make sure the cam is in the unlocked position with the locking section of the cam in the orientation shown.



- Cam
- Locking section

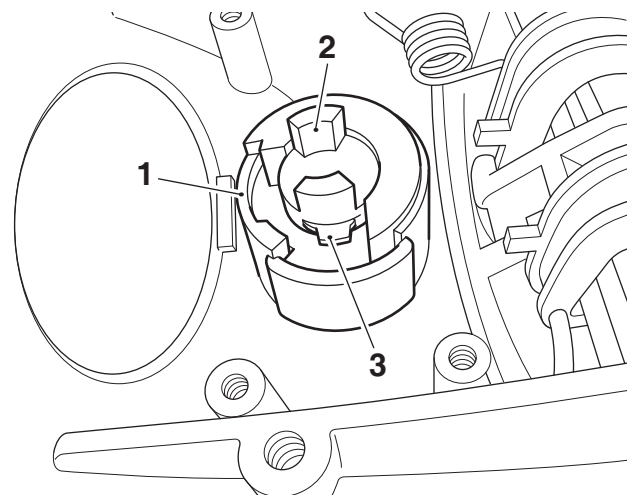
- Lift and remove the cam from the latch housing ensuring the ball bearing and spring do not become separated from the latch housing. Retain the cam for reuse.



- Latch housing
- Cam
- Ball bearing
- Spring

Note:

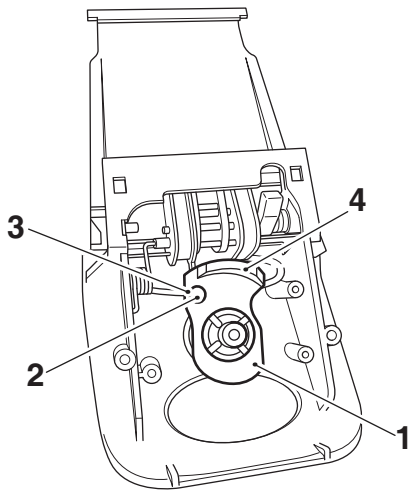
- Make sure the key is inserted into the lock barrel prior to removing the lock barrel from the lock assembly.
- Press the retaining lock pin into the lock barrel and remove the lock barrel from the front of the latch housing.



- Latch housing
- Lock barrel
- Retaining lock pin

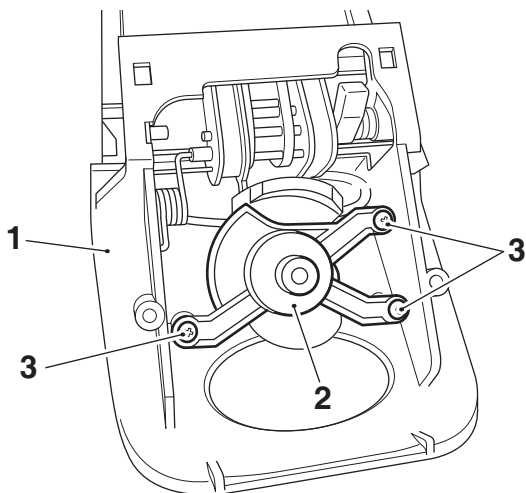
Latch Housing Fitment

6. Ensuring the ball bearing and spring remain correctly located in the cam, refit the cam in the locked position with the locking section of the cam in the orientation shown.



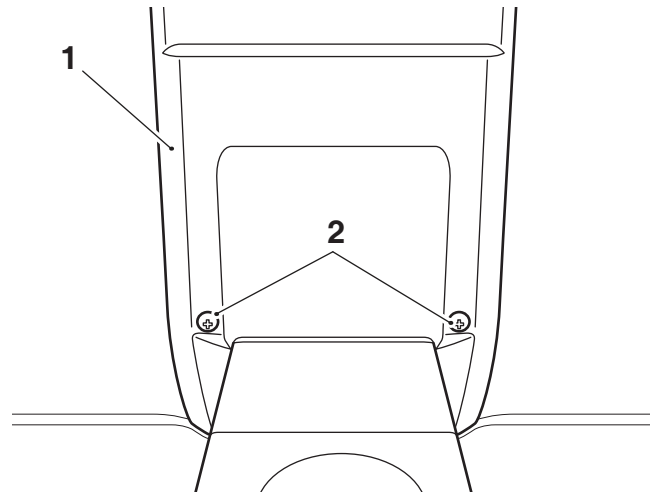
1. Cam
2. Ball bearing
3. Spring
4. Locking section

7. Refit the retaining piece on to the latch housing and secure with the original fixings. Tighten the fixings to **1 Nm**.



1. Latch housing
2. Retaining piece
3. Fixings

8. Refit the latch housing to the top box using the original fixings. Tighten the fixings to **1 Nm**.



1. Top box
2. Fixings

9. Fit the lock barrel referring to the Lock Barrel Fitment section on page 4 of this instruction.



Warning

If, after fitment of this accessory kit, you have any doubt about the performance of any aspect of the motorcycle, contact an authorised Triumph dealer and do not ride the motorcycle until the authorised dealer has declared it fit for use. Riding a motorcycle when there is any doubt as to any aspect of the performance of the motorcycle may result in loss of control of the motorcycle leading to an accident.



Warning

Never ride an accessory-equipped motorcycle, or a motorcycle carrying a payload of any kind, at speeds above 80 mph (130 km/h). In either/both of these conditions, speeds in excess of 80 mph (130 km/h) should not be attempted even where the legal speed limit permits this.

The presence of accessories and/or payload will cause changes in the stability and handling of the motorcycle.

Failure to allow for changes in motorcycle stability may lead to loss of motorcycle control or an accident.

When riding at high speed, always be aware that various motorcycle configuration and environmental factors can adversely affect the stability of your motorcycle. For example:

- Incorrectly balanced loads on both sides of the motorcycle.
- Incorrectly adjusted front and rear suspension settings.
- Incorrectly adjusted tyre pressures.
- Excessively or unevenly worn tyres.
- Side winds and turbulence from other vehicles.
- Loose clothing.

Remember that the 80 mph (130 km/h) absolute limit will reduce by the fitting of non-approved accessories, incorrect loading, worn tyres, overall motorcycle condition and poor road or weather conditions.



Warning

Only operate this Triumph motorcycle at high speed in closed-course, on-road competition or on closed-course racetracks. High-speed operation should only be attempted by riders who have been instructed in the techniques necessary for high-speed riding and are familiar with the motorcycle's characteristics in all conditions.

High-speed operation in any other circumstances is dangerous and will lead to loss of motorcycle control and an accident.



Warning

This motorcycle must not be operated above the legal road speed limit except in authorised closed-course conditions.



Warning

Never ride an accessory equipped motorcycle at speeds above 80 mph (130 km/h).

The presence of accessories will cause changes in the stability and handling of the motorcycle. Failure to allow for changes in motorcycle stability may lead to loss of control or an accident.

Remember that the 80 mph (130 km/h) limit will be reduced by the fitting of non-approved accessories, incorrect loading, worn tyres, overall motorcycle condition and poor road or weather conditions.