



Accessory Fitting Instructions

Diamond Grip Kit, 22.2 mm - Black	
Kit Number	Models Affected
A2041476	Thruxton 1200 R, Thruxton TFC, Thruxton RS, Street Twin, Speed Twin 900, Street Cup, Street Scrambler, Scrambler 900
Diamond Grip Kit, 22.2 mm - Grey	
Kit Number	Models Affected
A2041477	Thruxton 1200 R, Thruxton TFC, Thruxton RS, Street Twin, Speed Twin 900, Street Cup, Street Scrambler, Scrambler 900
Diamond Grip Kit, 25.4 mm - Black	
Kit Number	Models Affected
A2041441	Bonneville T100 from VIN 759204, Bonneville T120, Bonneville T120 Black, Bonneville Bobber, Bonneville Bobber Black, Bonneville Speedmaster from VIN 739143, Thruxton 1200
Diamond Grip Kit, 25.4 mm - Grey	
Kit Number	Models Affected
A2041442	Bonneville T100 from VIN 759204, Bonneville T120, Bonneville T120 Black, Bonneville Bobber, Bonneville Bobber Black, Bonneville Speedmaster from VIN 739143, Thruxton 1200
Gummy Grip Kit, 22.2 mm - Black	
Kit Number	Models Affected
A2041478	Thruxton 1200 R, Thruxton TFC, Thruxton RS, Street Twin, Speed Twin 900, Street Cup, Street Scrambler from VIN 914448, Scrambler 900, Bonneville Bobber TFC
Gummy Grip Kit, 22.2 mm - Brown	
Kit Number	Models Affected
A2041479	Thruxton 1200 R, Thruxton TFC, Thruxton RS, Street Twin, Speed Twin 900, Street Cup, Street Scrambler from VIN 914448, Scrambler 900, Bonneville Bobber TFC
Gummy Grip Kit, 25.4 mm - Black	
Kit Number	Models Affected
A2041443	Bonneville T100 from VIN 759204, Bonneville T120, Bonneville T120 Black, Bonneville Bobber, Bonneville Bobber Black, Thruxton 1200

Gummy Grip Kit, 25.4 mm - Brown

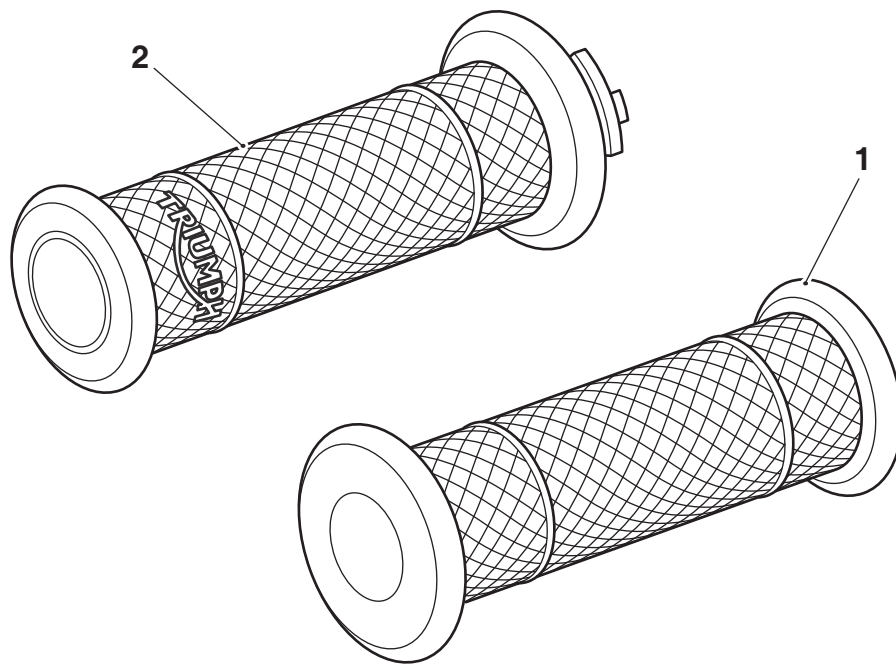
Kit Number	Models Affected
A2041444	Bonneville T100 from VIN 759204, Bonneville T120, Bonneville T120 Black, Bonneville Bobber, Bonneville Bobber Black, Bonneville Speedmaster from VIN 739143, Thruxton 1200

Thank you for choosing this Triumph genuine accessory kit. This accessory kit is the product of Triumph's use of proven engineering, exhaustive testing, and continuous striving for superior reliability, safety and performance.

Completely read all of these instructions before commencing the installation of the accessory kit in order to become thoroughly familiar with the kit, its features and the installation process.

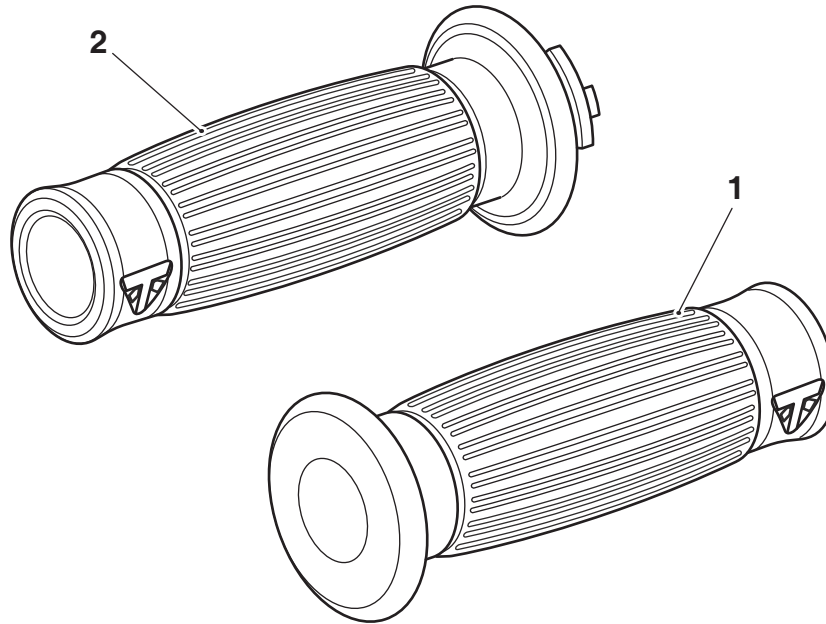
These instructions should be considered a permanent part of your accessory kit, and should remain with it even if your accessory equipped motorcycle is subsequently sold.

Parts Supplied: A2041476, A2041477, A2041441, A2041442



1. Diamond grip, left hand	1 off	2. Diamond grip, right hand	1 off
----------------------------	-------	-----------------------------	-------

Parts Supplied: A2041478, A2041479, A2041443, A2041444



1. Gummy grip, left hand	1 off	2. Gummy grip, right hand	1 off
--------------------------	-------	---------------------------	-------

! Warning

Fit only genuine Triumph accessories to those models approved by Triumph as listed in the associated Triumph fitting instructions. The accessory kits covered in this instruction are designed for use on specific models of Triumph motorcycle. The accessory kits and the models applicable are listed at the start of the instruction. They should never be fitted to any other Triumph model or to any other manufacturer's motorcycle. Fitting an accessory kit to a Triumph model not listed, or to any other manufacturer's motorcycle will affect the performance, stability and handling of the motorcycle. This may affect the rider's ability to control the motorcycle and could result in an accident causing severe injuries or death.

! Warning

Throughout this operation, ensure that the motorcycle is stabilised and adequately supported to prevent risk of injury from the motorcycle falling.

! Warning

A torque wrench of known accurate calibration must be used when fitting this accessory kit. Failure to tighten any of the fasteners to the correct torque specification may affect motorcycle performance, handling and stability. This may result in loss of motorcycle control and an accident.

! Warning

Always have Triumph approved parts, accessories and conversions fitted by a trained technician of an authorised Triumph dealer. The fitment of parts, accessories and conversions by a technician who is not of an authorised Triumph dealer may affect the handling, stability or other aspects of the motorcycle's operation which may result in loss of motorcycle control and an accident.

Note:

- **Triumph offers a broad range of approved genuine accessories for your motorcycle. We cannot therefore cover all possible equipment variations in these instructions. For removal and installation of Triumph Genuine Accessories, always refer to the instructions supplied with the respective accessory kit. To obtain additional copies of any Triumph accessory instructions, visit www.triumphinstructions.com or contact your authorised Triumph dealer.**

1. Remove the left hand and right hand bar end finishers and if fitted, bar end mirrors, as described in the Service Manual. Retain the bar end finishers, and where applicable, bar end mirrors for reuse. Discard the fixings.

Left Hand Side

2. Remove the original grip from the handlebars. Retain the grip for reuse if the motorcycle is to be returned to its original condition.
3. Fit the left hand grip from the kit on to the handlebars.

Right Hand Side

4. Remove the original grip as described in the Service Manual. Retain the grip for reuse if the motorcycle is to be returned to its original condition.
5. Fit the right hand grip from the kit, as described in the Service Manual.
6. Refit the left hand and right hand bar end mirrors if fitted and/or bar end finishers, as described in the Service Manual.

Warning

Check for the correct operation of the brake lever and clutch lever ensuring they are not restricted by the handlebar grips, before riding the motorcycle. Riding the motorcycle without first checking the correct operation of the brake lever and clutch lever could lead to loss of motorcycle control and an accident.

Warning

After fitting the accessory kit the motorcycle will exhibit new handling characteristics. Operate the motorcycle in a safe area free from traffic to gain familiarity with any new characteristics. Operation of the motorcycle when not familiar with any new handling characteristics may result in loss of motorcycle control and an accident.

Warning

If, after fitting this accessory kit, you have any doubt about the performance of any aspect of the motorcycle, contact an authorised Triumph dealer and do not ride the motorcycle until the authorised dealer has declared it fit for use. Riding a motorcycle when there is any doubt as to any aspect of the performance of the motorcycle may result in loss of motorcycle control and an accident.

Warning

Never ride an accessory-equipped motorcycle at speeds above 80 mph (130 km/h).

The presence of accessories will cause changes in the stability and handling of the motorcycle. Failure to allow for changes in motorcycle stability may result in loss of motorcycle control and an accident.

Remember that the 80 mph (130 km/h) limit will be reduced by the fitting of non-approved accessories, incorrect loading, worn tyres, overall motorcycle condition and poor road or weather conditions.

Warning

The motorcycle must not be operated above the legal road speed limit except in closed-course conditions.

Warning

Only operate this Triumph motorcycle at high speed in closed-course, on-road competition or on closed-course racetracks. High-speed operation should only be attempted by riders who have been instructed in the techniques necessary for high speed riding and are familiar with the motorcycle, Aôs characteristics in all conditions.

High-speed operation in any other circumstances is dangerous and may result in loss of motorcycle control and an accident.